

# Dell PowerConnect W-AP120 Series AP

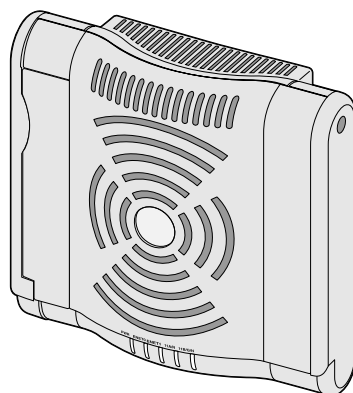
## Installation Guide

The Dell W-AP120 series of wireless access points support the imminent IEEE 802.11n (currently draft 2.0) standard for high-performance WLAN. These access points use MIMO (Multiple-in, Multiple-out) technology and other high-throughput mode techniques to deliver high-performance, pre-802.11n 2.4 GHz and 5 GHz functionality while simultaneously supporting existing 802.11a/b/g wireless services. The W-AP120 series access points are available in versions with single or dual radios and with integrated antennas or RP-SMA interfaces that support detachable antennas. The W-AP120 series access points work only in conjunction with a Dell controller.

The Dell W-AP120 series access points provide the following capabilities:

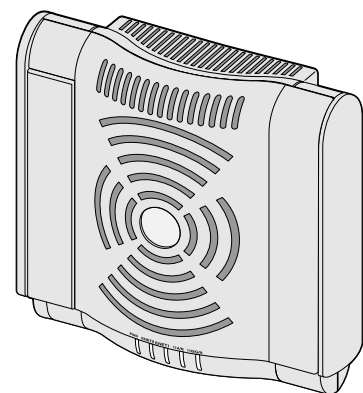
- Wireless transceiver
- Protocol-independent networking functionality
- IEEE 802.11a/b/g or 802.11n operation as a wireless access point
- IEEE 802.11a/b/g or 802.11n operation as a wireless air monitor
- Compatibility with IEEE 802.3af PoE as well as high power over Ethernet pre-standards (PoE + / 802.3at)
- Central management configuration and upgrades through an Dell controller
- Upgrade of W-AP120 series a/b/g models to 802.11n (draft) compliance through a controller license

**Figure 1** W-AP120 Series Access Points



W-AP120/W-AP124

(3 x RP-SMA interfaces for detachable antennas)



W-AP121/W-AP125

(3 x integrated dual-band antennas)

## Package Contents

- AP-120 series access point
- Installation guide (this document)



**Note:** Inform your supplier if there are any incorrect, missing, or damaged parts. If possible, retain the carton, including the original packing materials. Use these materials to repack and return the unit to the supplier if needed.



**Note:** Additional mounting kits for use with the W-AP120 series access points are sold separately. Contact your Dell sales representative for details.

# Before You Begin

## WLAN Planning

Determine how many Dell APs are needed for your wireless network deployment and where they will be installed. You can easily accomplish this planning using Dell's automated RF Plan site-survey software (available separately). This process is considered WLAN or RF planning and should have been completed during the master Dell controller installation and configuration. In typical Dell installations, the controllers are configured and installed before the APs.

For WLAN planning assistance, refer to the *Indoor Access Points: Site Survey and Planning Pre-Deployment Guide* and the *RF Plan Installation and User Guide*.

## Pre-Installation Network Requirements

After WLAN planning is complete and the appropriate products and their placement have been determined, the Dell controller(s) must be installed and initial setup performed before the Dell Access Points are deployed.

For initial setup of the controller, refer to the *ArubaOS Quick Start Guide* for the software version installed on your controller.

## Pre-Installation Checklist

Before installing your W-AP120 series access point, be sure that you have the following:

- For the W-AP120/W-AP124: External antennas as specified in the network deployment plan
- CAT5 UTP cable of required length
- One of the following power sources:
  - IEEE 802.3af-compliant Power over Ethernet (PoE) source
  - Supports full functionality for W-AP120/W-AP121; supports reduced functionality for W-AP124/W-AP125
  - IEEE Power Over Ethernet + (PoE+) source output at 56 Volts @ 350 mA
  - The POE source can be any power source equipment (PSE) controller or midspan PSE device
  - Dell AP AC-DC adapter kit (sold separately)
- Dell controller provisioned on the network:
  - Layer 2/3 network connectivity to your access point
  - One of the following network services:
    - Aruba Discovery Protocol (ADP)
    - DNS server with an "A" record
    - DHCP Server with vendor-specific options

## Summary of the Setup Process



---

**Note:** It is important that you verify the items listed under [Pre-Installation Checklist](#) before you attempt to set up and install an W-AP120 series AP.

---

Successful setup of an AP-120 series access point consists of five tasks, which must be performed in this order:

1. Verify pre-installation connectivity.
2. Identify the specific installation location for each AP.
3. Install each AP.
4. Verify post-installation connectivity.

## 5. Configure each AP.



---

**Note:** Dell, in compliance with governmental requirements, has designed the AP-120 series access points so that only authorized network administrators can change the settings. For more information about AP configuration, refer to the *ArubaOS Quick Start Guide and Aruba OS User Guide*.

---



---

**Caution:** Access points are radio transmission devices and as such are subject to governmental regulation. Network administrators responsible for the configuration and operation of access points must comply with local broadcast regulations. Specifically, access points must use channel assignments appropriate to the location in which the access point will be used.

---

## Verifying Pre-Installation Connectivity

Before you install APs in a network environment, make sure that the APs will be able to locate and connect to the controller when powered on.

Specifically, you must verify the following conditions:

- When connected to the network, each AP is assigned a valid IP address
- APs are able to locate the controller

Refer to the *ArubaOS Quick Start Guide* for instructions on locating and connecting to the controller.

## Identifying Specific Installation Locations

You can mount the AP-120 series access point on a wall or on the ceiling. Use the AP placement map generated by Dell's RF Plan software application to determine the proper installation location(s). Each location should be as close as possible to the center of the intended coverage area and should be free from obstructions or obvious sources of interference. These RF absorbers/reflectors/interference sources will impact RF propagation and should have been accounted for during the planning phase and adjusted for in RF plan.

### Unidentified Known RF Absorbers/Reflectors/Interference Sources

Identifying known RF absorbers, reflectors, and interference sources while in the field during the installation phase is critical. Make sure that these sources are taken into consideration when you attach an AP to its fixed location.

RF absorbers include:

- Cement/concrete: Old concrete has high levels of water dissipation, which dries out the concrete, allowing for potential RF propagation. New concrete has high levels of water concentration within the concrete, blocking RF signals.
- Natural Items: Fish tanks, water fountains, ponds, and trees
- Brick

RF reflectors include:

- Metal Objects: Metal pans between floors, rebar, fire doors, air conditioning/heating ducts, mesh windows, blinds, chain link fences (depending on aperture size), refrigerators, racks, shelves, and filing cabinets
- Do not place an AP between two air conditioning/heating ducts. Make sure that APs are placed below ducts to avoid RF disturbances.

RF interference sources include:

- Microwave ovens and other 2.4 or 5 GHz objects (such as cordless phones)
- Lunch rooms and call centers with cordless headsets

# Installing the AP



**Note:** Service to all Dell products should be performed by trained service personnel only.

## Using the Integrated Wall-Mounting Slots

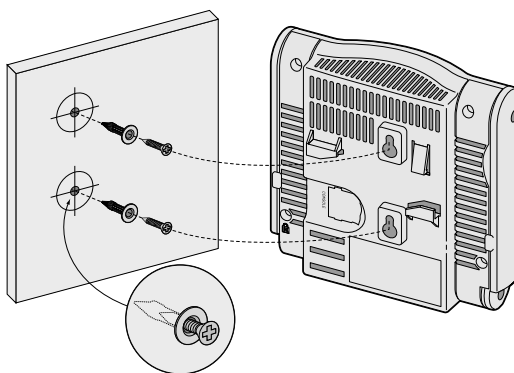
The keyhole-shaped slots on the back of the AP can be used to attach the device upright to an indoor wall or shelf. When you choose the mounting location, allow additional space at the right of the unit for cables.



**Note:** For product dimensions, see [Product Specifications](#) in this guide. Allow 2 inches (5 cm) of additional space at the right side of the installed unit for cables, and make sure enough space is available for antenna articulation.

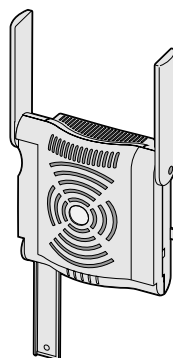
1. At the mounting location, install two screws on the wall or shelf, 1 7/8 inches (4.7 cm) apart. If you are attaching the device to drywall, Dell recommends using appropriate wall anchors (not included).
2. Align the mounting slots on the rear of the AP over the screws and slide the unit into place (see [Figure 2](#)).

**Figure 2** *Installing the W-AP120 Series Access Point on a Wall*



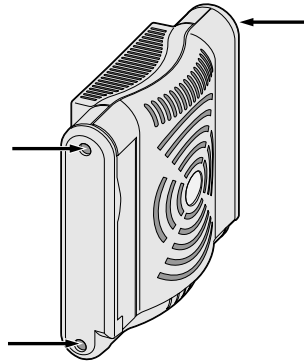
3. On the W-AP121 or W-AP125, orient the antennas. For best performance, swivel the antennas so that they are oriented vertically, preferably in the same plane, parallel to the wall (see [Figure 3](#)).

**Figure 3** *Antenna Orientation on a Wall-Mounted W-AP121/W-AP125*



On the W-AP120 or W-AP124, install the external antennas according to the manufacturer's instructions, and connect the antennas to the antenna interfaces on the AP (see [Figure 4](#)).

**Figure 4** Antenna Interfaces on the W-AP120/W-AP124



### Using the Integrated Ceiling Tile Rail Slots

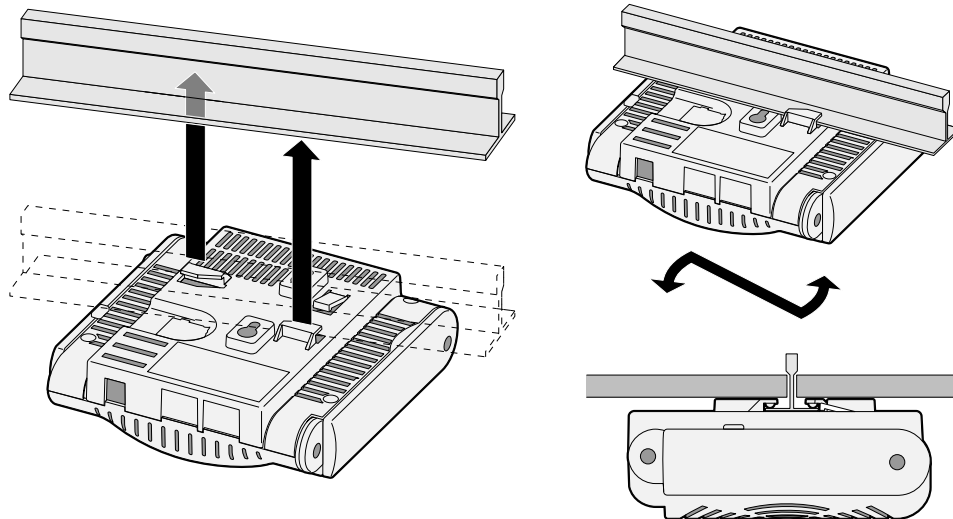
The snap-in tile rail slots on the rear of the AP can be used to securely attach the device directly to a 15/16" wide, standard ceiling tile rail.



**Caution:** Make sure the AP fits securely on the ceiling tile rail when hanging the device from the ceiling, because poor installation could cause it to fall onto people or equipment.

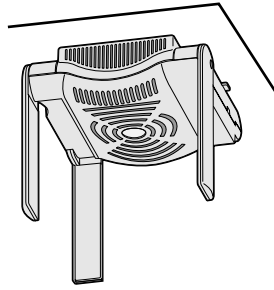
1. Pull the necessary cables through a prepared hole in the ceiling tile near where the AP will be placed.
2. If necessary, connect the console cable to the console port on the back of the AP.
3. Hold the AP next to the ceiling tile rail with the ceiling tile rail mounting slots at approximately a 30-degree angle to the ceiling tile rail (see [Figure 5](#)). Make sure that any cable slack is above the ceiling tile.

**Figure 5** Orienting the Ceiling Tile Rail Mounting Slots



4. Pushing toward the ceiling tile, rotate the AP clockwise until the device clicks into place on the ceiling tile rail.
5. On the W-AP121 or W-AP125, orient the antennas. For best results, rotate the antennas so that they are vertical (perpendicular to the body of the AP) (see [Figure 6](#)).

**Figure 6** Antenna Orientation on a Ceiling-Mounted W-AP121/W-AP125



On the W-AP120 or W-AP124, install the external antennas according to the manufacturer's instructions, and connect the antennas to the antenna interfaces on the AP (see [Figure 4](#)).

## Connecting Required Cables

Install cables in accordance with all applicable local and national regulations and practices.

### Ethernet Ports

The RJ45 Ethernet ports (ENET0 and ENET1) support 100/1000Base-T auto-sensing MDI/MDX connections. Use these ports to connect the AP to a twisted pair Ethernet LAN segment or directly to an Dell controller. Use a 4- or 8-conductor, Category 5 UTP cable up to 100 m (325 feet) long.



**Note:** Dell W-AP120 series APs are intended only for installation in Environment A as defined in IEEE 802.3.af, Power over Ethernet. All interconnected equipment must be contained within the same building, including the interconnected equipment's associated LAN connections.

The 100/1000 Mbps Ethernet ports are on the bottom of the AP. These ports have RJ-45 female connectors with the pin-outs shown in [Table 1](#).

**Table 1** Connector for Ethernet Ports ENET0 and ENET1

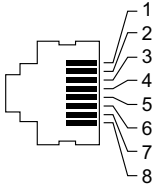
Connector	Pin	Signal Name	GE Connection	FE Connection	PoE
	1	BI_DA+	Bi-directional pair A+	RX+	POE negative
	2	BI_DA-	Bi-directional pair A-	RX-	POE negative
	3	BI_DB+	Bi-directional pair B+	TX+	POE positive
	4	BI_DC+	Bi-directional pair C+	Spare pair	POE positive
	5	BI_DC-	Bi-directional pair C-	Spare pair	POE positive
	6	BI_DB-	Bi-directional pair B-	TX-	POE positive
	7	BI_DD+	Bi-directional pair D+	Spare pair	POE negative
	8	BI_DB-	Bi-directional pair D-	Spare pair	POE negative

## Serial Console Port

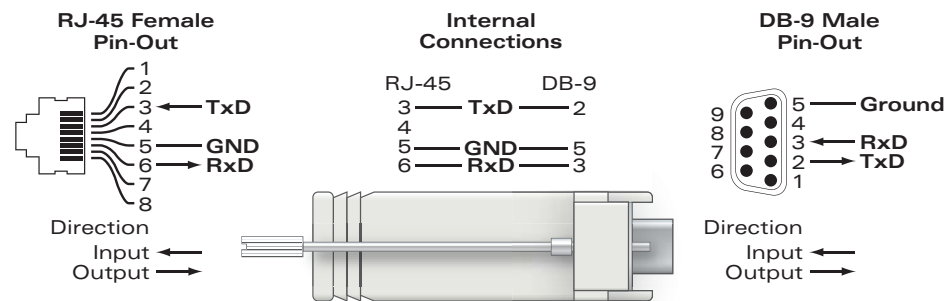
The serial console port allows you to connect the AP to a serial terminal or a laptop for direct local management. This port is an RJ-45 female connector with the pinouts described in [Table 2](#). Connect this port in one of the following ways:

- Connect it directly to a terminal or terminal server using an Ethernet cable.
- Use a modular adapter to convert the RJ-45 (female) connector on the AP to a DB-9 (male) connector, and connect the adapter to a laptop using an RS-232 cable. See [Figure 7](#) for connector details of the adapter.

**Table 2** Connector for Serial Console Port

Connector	Pin	Signal Name	Function	
	3	TXD	Transmit	
	4	GND	Ground	
	5	GND	Ground	
	6	RXD	Receive	
	Pins not listed are not connected.			

**Figure 7** RJ-45 (Female) to DB-9 (Male) Modular Adapter Conversion



## Power Connection

The W-AP120 series AP has a single 5V DC power jack socket to support powering through an AC-to-DC mains electric power adapter.

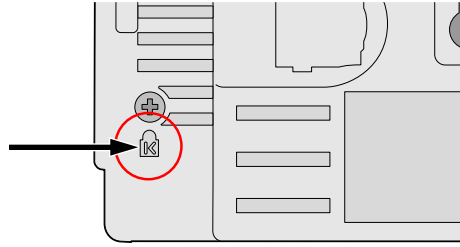


**Note:** If both POE and DC power are available, the AP uses POE, even when there is not enough POE voltage available to power the AP.

## Connecting a Security Cable

To provide added security for the W-AP121 or W-AP125, you can attach a security cable to the back of the unit (see [Figure 8](#)).

**Figure 8** Security Lock Connection



## Verifying Post-Installation Connectivity

The integrated LEDs on the AP can be used at this point to verify that the AP is receiving power and initializing successfully (see [Table 3](#)). Refer to the *ArubaOS Quick Start Guide* for further details on verifying post-installation network connectivity.

LED	Color/State	Meaning
PWR	Green steady	Power on, device ready
	Green flashing	System initializing
	Red steady	System failed to initialize, contact TAC
ENET 0 (100/1000 Mbps)	Green/Amber off	No link
	Green on	1000 Mbps link
	Amber on	100 Mbps link
	Green/amber blinking	Data activity
ENET 1 (100/1000 Mbps)	Green/Amber off	No Link
	Green on	1000 Mbps link
	Amber on	100 Mbps link
	Green/amber blinking	Data activity
11A/N	Amber	Wireless link is legacy 11a
	Green	Wireless link is 11n 5 Ghz band
11B/G/N	Amber	Wireless link is legacy 11b or 11g
	Green	Wireless link is 11n 2.4 Ghz band

## Configuring the W-AP120 Series

### AP Provisioning/Reprovisioning

Provisioning parameters are unique to each AP. These local AP parameters are initially configured on the controller which are then pushed out to the AP and stored on the AP itself. Dell recommends that provisioning settings be configured via the ArubaOS Web UI only. Refer to the *ArubaOS User Guide* for complete details.



## AP Configuration

Configuration parameters are network or controller specific and are configured and stored on the controller. Network configuration settings are pushed out to the AP(s) but remain stored on the controller.

Configuration settings can be configured via the ArubaOS Web UI, ArubaOS CLI, or Aruba MMS. Refer to their respective guides for further details: the *ArubaOS User Guide*.

## Product Specifications

### Mechanical

- Dimensions (antenna stowed) (HxWxD):
  - 4.9 inches x 5.13 inches x 2 inches
  - 12.4 cm x 13 cm x 5.1 cm
- Weight: 15 oz/0.42 kg
- Shipping Dimensions:
  - 9.5 inches x 7.25 inches x 4.5 inches
  - 24.1 cm x 18.4 cm x 11.4 cm
- Temperature:
  - Operating: 0°C to 50°C (32°F to 122°F)
  - Storage: -10°C to 70°C (14°F to 158°F)



---

**Note:** During normal operation, the temperature of the base of the W-AP120 series can approach 80°C (176°F). This is within the expected operating temperature range.

---

- Relative Humidity: 5% to 95% non-condensing
- Altitude: 8,000 ft @ 28°C (82.4°F)
- Mounting: Wall, ceiling, or desktop mountable
- Antennas:
  - 3 integrated articulating dual-band antenna elements (W-API21, W-API25)
  - 3 RP-SMA interfaces for external antennas (W-API20, W-API24)
- Visual Status Indicators (LEDs): See [Table 3](#)

### Electrical

- Ethernet:
  - 2 x 100/1000 Base-T auto-sensing Ethernet RJ-45 Interfaces
  - MDI/MDX
  - IEEE 802.3 (10Base-T), IEEE 802.3u (100Base-T), IEEE 802.3ab (1000Base-T)
  - Power over Ethernet (IEEE 802.3af compliant), 48V DC/350mA (see [Table 1](#) for pin configuration)
- Power:
  - 5 VDC power interface, supports powering through an AC-to-DC mains electric power adapter



---

**Note:** If a power adapter other than the one provided by Dell is used in the US or Canada, it should be cULus (NRTL) Listed, with an output rated 5 VDC, minimum 4A, marked "LPS" or "Class 2," and suitable for plugging into a standard power receptacle in the US and Canada.

---

- POE support on Ethernet ports:
  - 802.3af-compliant POE sourcing devices
  - POE+ (56 V @ 350 mA)

## Wireless LAN

- Network Standards: IEEE 802.11b, IEEE 802.11g, IEEE 802.11a, and IEEE 802.11n (draft)
- Antenna Type:
  - Integrated 802.11a/b/g/n omni-directional high-gain antenna
  - Detachable 802.11a/b/g/n omni-directional high-gain antenna
- Antenna Gain (Integrated Antennas):
  - 2.4 – 2.5 GHz/3.2 dBi (max)
  - 5.180 – 5.825 GHz/5.2 dBi (max)
- Radio Technology:
  - Orthogonal Frequency Division Multiplexing (OFDM)
  - Direct Sequence Spread Spectrum (DSSS)
- Radio Modulation Type:
  - 802.11b - CCK, BPSK, QPSK
  - 802.11g - CCK, BPSK, QPSK, 16-QAM, 64-QAM
  - 802.11a - BPSK, QPSK, 16-QAM, 64-QAM
  - 802.11n draft 2.0
- Media Access Control: CSMA/CA with ACK
- Supported Frequency Bands 2.4GHz:
  - 2.400 ~ 2.4835GHz (Global), channels country specific
- Supported Frequency Bands 5GHz:
  - 5.150 ~ 5.250GHz (low band), country-specific
  - 5.250 ~ 5.350GHz (mid band), country-specific
  - 5.470 ~ 5.725GHz (Europe), country-specific
  - 5.725 ~ 5.825GHz GHz (high band), country-specific

802.11b	802.11g	802.11a	802.11n
US, Canada 11	US, Canada 11	US, Canada 12	<< NEED >>
ETSI 13	ETSI 13	ETSI (up to 19)	<< NEED >>
Japan 14	Japan 13	Japan 4	<< NEED >>
Taiwan 11	Taiwan 11	Taiwan 7	<< NEED >>

- Data Rates:
  - 802.11b - 1, 2, 5.5, 11 Mbps per channel
  - 802.11g - 6, 9, 12, 18, 24, 36, 48 and 54 Mbps per channel
  - 802.11a - 6, 9, 12, 18, 24, 36, 48 and 54 Mbps per channel
  - 802.11n - Data rate MCS0 – MCS15 (from 6.5 Mbps to 300 Mbps)

## Proper Disposal of Dell Equipment

For the most current information on Global Environmental Compliance and Dell products please refer to the *Dell PowerConnect W-Series Safety, Environmental, and Regulatory Information* document is included with this product or see our website at [www.dell.com](http://www.dell.com).

### European Union RoHS



Aruba products also comply with the EU Restriction of Hazardous Substances Directive 2002/95/EC (RoHS). EU RoHS restricts the use of specific hazardous materials in the manufacture of electrical and electronic equipment. Specifically, restricted materials under the RoHS Directive are Lead (including Solder used in printed circuit assemblies), Cadmium, Mercury, Hexavalent Chromium, and Bromine. Some Aruba products are subject to the exemptions listed in RoHS Directive Annex 7 (Lead in solder used in printed circuit assemblies). Products and packaging will be marked with the “RoHS” label shown at the left indicating conformance to this Directive.

### Battery Replacement



---

**Caution:** Batteries included with Dell products must be replaced by qualified Dell service personnel only. Contact Dell for battery replacement. Do not attempt to replace the battery. There is a risk of explosion if you install the wrong type of battery. Dispose of batteries according to the instructions.

---

## Safety and Regulatory Compliance

Dell provides a multi-language document containing country specific restrictions and additional safety and regulatory information for all Dell hardware products. The *Dell PowerConnect W-Series Safety, Environmental, and Regulatory Information* document is included with this product.



---

**Caution:** RF Radiation Exposure Statement: This equipment complies with FCC RF radiation exposure limits. This equipment should be installed and operated with a minimum distance of 13.78 inches (35 cm) between the radiator and your body for 2.4 GHz and 5 GHz operations. This transmitter must not be co-located or operating in conjunction with any other antenna or transmitter. When operated in the 5.15 to 5.25 GHz frequency range, this device is restricted to indoor use to reduce the potential for harmful interference with co-channel Mobile Satellite Systems.

---

### Korean Radio Equipment Warning Notice

#### Radio Equipment for the radio data communication system

##### \*\* Warning Notice \*\*

For a radio equipment using 2400~2483.5MHz or 5725~5825MHz, the following two expression should be displayed ;

1. Indicate following expression on the product where is easy to see : “This radio equipment can be crossed during operation.”

당해 무선설비는 운용 중 전파혼신 가능성이 있음

당해 무선설비는 운용 중 전파혼신 가능성이 있음

2. The manufacturer and installer should fully inform the operator or users “This radio equipment cannot provide a service relevant to the human life safety, as it can be crossed” through the user manual etc.

당해 무선설비는 전파혼신 가능성이 있으므로 인명안전과 관련된 서비스는 할 수 없습니다.

당해 무선설비 전파혼신 가능성이 있으므로 인명안전과 관련된 서비스는 할 수 없습니다.

**Copyright**

© 2010 Aruba Networks, Inc. AirWave®, Aruba Networks®, Aruba Mobility Management System®, Bluescanner, For Wireless That Works®, Mobile Edge Architecture®, People Move. Networks Must Follow®, RFprotect®, The All Wireless Workplace Is Now Open For Business, Green Island, and The Mobile Edge Company® and other registered marks are trademarks of Aruba Networks, Inc. Dell™, the DELL™ logo, and PowerConnect™ are trademarks of Dell Inc.

All rights reserved. Specifications in this manual are subject to change without notice.

Originated in the USA. Any other trademarks appearing in this manual are the property of their respective companies.

**Open Source Code**

Certain Aruba products include Open Source software code developed by third parties, including software code subject to the GNU General Public License (GPL), GNU Lesser General Public License (LGPL), or other Open Source Licenses. The Open Source code used can be found at this site:

[http://www.arubanetworks.com/open\\_source](http://www.arubanetworks.com/open_source)

**Legal Notice**

The use of Aruba Networks, Inc. switching platforms and software, by all individuals or corporations, to terminate other vendors' VPN client devices constitutes complete acceptance of liability by that individual or corporation for this action and indemnifies, in full, Aruba Networks, Inc. from any and all legal actions that might be taken against it with respect to infringement of copyright on behalf of those vendors.

**Warranty**

This hardware product is protected by the standard Aruba warranty of one year parts/labor. For more information, refer to the ARUBACARE SERVICE AND SUPPORT TERMS AND CONDITIONS.

Altering this device (such as painting it) voids the warranty.



# Dell PowerConnect W-AP120 Serie AP

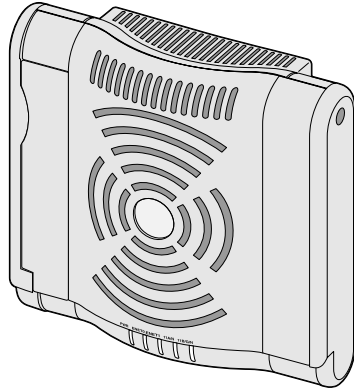
## Installationsanleitung

Die drahtlosen Access Points der Serie Dell W-AP120 unterstützen den zukünftigen Standard IEEE 802.11n (zurzeit Entwurf 2.0) für Hochleistungs-WLANs. Diese Access Points verwenden die MIMO-Technologie (Multiple-In, Multiple-Out) und andere Techniken mit hohem Durchsatz, um Hochleistungs-, Prä-802.11n-Funktionalität mit 2,4 GHz und 5 GHz zu bieten, während gleichzeitig vorhandene 802.11a/b/g-Drahtlosdienste unterstützt werden. Die Access Points der Serie W-AP120 sind in Versionen mit Einzel- oder Dualfunk sowie mit integrierten Antennen oder RP-SMA-Schnittstellen zur Unterstützung abnehmbarer Antennen erhältlich. Die Access Points der Serie W-AP120 können nur zusammen mit einem Dell Controller verwendet werden.

Die Access Points der Serie Dell W-AP120 weisen die folgenden Merkmale auf:

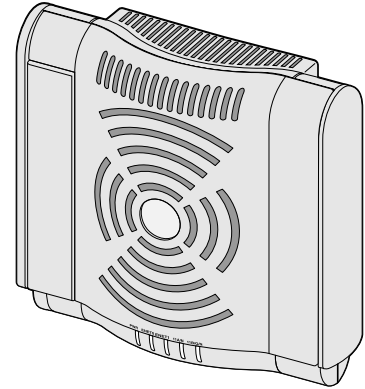
- Drahtloser Transceiver
- Protokollunabhängige Netzwerkfunktionalität
- Betrieb gemäß IEEE 802.11a/b/g oder 802.11n als drahtloser Access Point
- Betrieb gemäß IEEE 802.11a/b/g oder 802.11n als drahtloser Air Monitor
- Kompatibilität mit IEEE 802.3af PoE sowie der Norm für High Power over Ethernet (PoE + / 802.3at)
- Zentrale Verwaltungskonfiguration und Upgrades über einen Dell Controller
- Upgrade von a/b/g-Modellen der Serie W-AP120 auf Konformität mit 802.11n (Entwurf) über eine Controllerlizenz

**Abbildung 1** Access Points der Serie W-AP120



W-AP120/W-AP124

(3 x RP-SMA-Schnittstellen für abnehmbare Antennen)



W-AP121/W-AP125

(3 x integrierte Dualband-Antennen)

## Lieferumfang

- AP-120 Serie Access Point
- Installationsanleitung (dieses Dokument)



---

**Hinweis:** Wenden Sie sich an Ihren Händler, wenn Teile fehlen oder beschädigt sind oder wenn Sie falsche Teile erhalten haben. Bewahren Sie den Karton einschließlich der Original-Verpackungsmaterialien nach Möglichkeit auf. Verwenden Sie diese Materialien, um das Produkt bei Bedarf zu verpacken und zum Händler zurückzubringen.

---



---

**Hinweis:** Zusätzliche Montage-Sets zur Verwendung mit Access Points der Serie W-AP120 sind separat erhältlich. Wenden Sie sich an Ihren Dell-Kundenbetreuer, falls Sie nähere Informationen wünschen.

---

## Bevor Sie beginnen

### WLAN-Planung

Stellen Sie fest, wie viele Dell APs für die Bereitstellung Ihres drahtlosen Netzwerks erforderlich sind und wo sie installiert werden sollen. Diese Planung wird durch die Dell-Software für die automatisierte Funkplan-Site-Übersicht (separat erhältlich) vereinfacht. Dieser Prozess wird als WLAN- oder Funkplanung bezeichnet und sollte während der Installation und Konfiguration des Dell Controllers (Master) abgeschlossen worden sein. In typischen Dell-Installationen werden die Controller vor den APs konfiguriert und installiert.

Informationen zur WLAN-Planung finden Sie in den Handbüchern *Indoor Access Points: Site Survey and Planning Pre-Deployment Guide* und *RF Plan Installation and User Guide*.

### Netzwerkvoraussetzungen vor der Installation

Nachdem die WLAN-Planung abgeschlossen ist und die entsprechenden Produkte sowie deren Platzierung bestimmt wurden, müssen die Dell Controller installiert und erstmals eingerichtet werden, bevor die Dell Access Points bereitgestellt werden können.

Informationen zur erstmaligen Einrichtung der Controller finden Sie im Handbuch *ArubaOS Quick Start Guide* für die auf Ihren Controllern installierte Softwareversion.

### Vor der Installation - Checkliste

Stellen Sie vor der Installation des Access Points der Serie W-AP120 sicher, dass Folgendes zur Hand ist:

- Für den W-AP120/W-AP124: Externe Antennen wie im Netzwerkbereitstellungsplan angegeben
- CAT5 UTP-Kabel in der erforderlichen Länge
- Eine der folgenden Stromquellen:
  - IEEE 802.3af-konforme PoE-Quelle (Power over Ethernet)
  - Unterstützt volle Funktionalität für W-AP120/W-AP121; unterstützt eingeschränkte Funktionalität für W-AP124/W-AP125
  - IEEE Power Over Ethernet + (PoE+) Ausgabe mit 56 Volt @ 350 mA
  - Die PoE-Quelle kann ein beliebiger PSE-Controller (PSE = Power Sourcing Equipment, Energieversorger) oder ein Midspan-PSE-Gerät sein.
  - Dell AP AC-DC-Adapter-Kit (separat erhältlich)
- Im Netzwerk bereitgestellter Dell Controller:
  - Layer-2/3-Netzwerkverbindbarkeit zum Access Point
  - Einer der folgenden Netzwerkdienste:

- Aruba Discovery Protocol (ADP)
- DNS-Server mit einem „A“-Record
- DHCP-Server mit herstellerspezifischen Optionen

## Übersicht über den Einrichtungsprozess



**Hinweis:** Es ist wichtig, dass Sie die unter [Vor der Installation - Checkliste](#) aufgeführten Punkte überprüfen, bevor Sie versuchen, einen AP der Serie W-AP120 einzurichten und zu installieren.

Um den AP-120 Serie Access Point erfolgreich zu installieren, müssen die folgenden fünf Schritte in der angegebenen Reihenfolge durchgeführt werden:

1. Überprüfen der Konnektivität vor der Installation.
2. Festlegen des Installationsstandorts für die einzelnen APs.
3. Installieren der einzelnen APs.
4. Überprüfen der Konnektivität nach der Installation.
5. Konfigurieren der einzelnen APs.



**Hinweis:** Dell hat in Übereinstimmung mit den behördlichen Vorschriften die AP-120 Serie Access Points so konzipiert, dass nur autorisierte Netzwerkadministratoren die Einstellungen ändern können. Weitere Informationen zur AP-Konfiguration finden Sie im *ArubaOS Quick Start Guide* und *Aruba OS User Guide*.



**Vorsicht:** Access Points sind Funkübertragungsgeräte und unterliegen als solche behördlichen Regulierungen. Netzwerkadministratoren, die für die Konfiguration und den Betrieb von Access Points verantwortlich sind, müssen die örtlich geltenden Funkvorschriften einhalten. Insbesondere müssen Access Points Kanaluweisungen verwenden, die für die Umgebung, in der der Access Point genutzt wird, angemessen sind.

## Überprüfen der Konnektivität vor der Installation

Bevor Sie APs in einer Netzwerkumgebung installieren, sollten Sie sicherstellen, dass die APs den Controller erkennen und eine Verbindung dazu herstellen können, wenn sie eingeschaltet sind.

Sie müssen speziell die folgenden Bedingungen überprüfen:

- Wenn eine Verbindung zum Netzwerk hergestellt wurde, wird jedem AP eine gültige IP-Adresse zugewiesen
- APs können den Controller erkennen

Anweisungen zum Erkennen und zum Herstellen der Verbindung zum Controller finden Sie im Handbuch *ArubaOS Quick Start*.

## Festlegen der spezifischen Installationsstandorte

Sie können den AP-120 Serie Access Point an einer Wand oder unter der Decke anbringen. Orientieren Sie sich an der AP-Platzierungsübersicht, die von der Dell-Software für die Funkplanung generiert wurde, um die richtigen Installationsorte zu bestimmen. Jeder Installationsort sollte sich so nah wie möglich an der Mitte des beabsichtigten Abdeckungsbereichs befinden und sollte weder Hindernisse noch offensichtliche Störungsquellen aufweisen. Diese Funk-Dämpfer/Reflektoren/Störungsquellen beeinträchtigen die Verbreitung der Funkwellen und sollten in der Planungsphase berücksichtigt und ausgeglichen worden sein.

## Nicht identifizierte bekannte Funk-Dämpfer/Reflektoren/Störungsquellen

Es ist sehr wichtig, während der Installationsphase vor Ort nach Elementen zu suchen, die als Funkdämpfer oder -reflektoren bzw. als Störungsquellen bekannt sind. Achten Sie darauf, dass diese Elemente berücksichtigt werden, wenn Sie einen AP an seinem festen Standort anbringen.

Beispiele für Funkdämpfer:

- Zement/Beton: Alter Beton gibt viel Wasser ab, wodurch der Beton ausgetrocknet wird, was die Ausbreitung von Funkwellen ermöglicht. Neuer Beton bindet viel Wasser, sodass Funksignale blockiert werden.
- Natürliche Elemente: Aquarien, Brunnen, Teiche und Bäume
- Ziegelwände

Beispiele für Funkreflektoren:

- Metallobjekte: Metallplatten zwischen Stockwerken, Betonrippenstahl, Feuertüren, Klimaanlage- und Heizungsschächte, mit Draht verstärkte Fenster, Jalousien, Maschendrahtzäune (je nach Maschengröße), Kühlschränke, Gestelle, Regale und Aktenschränke
- Platzieren Sie APs nicht zwischen zwei Klimaanlage-/Heizungsschächten. Achten Sie darauf, dass APs unter solchen Schächten platziert werden, um Funkstörungen zu vermeiden.

Beispiele für Funkstörungsquellen:

- Mikrowellengeräte und andere 2,4- oder 5-GHz-Objekte (zum Beispiel schnurlose Telefone)
- Kantinen und Telefonzentralen mit schnurlosen Headsets

## Installieren der APs



---

**Hinweis:** Arbeiten an Dell-Produkten dürfen nur von geschultem Servicepersonal ausgeführt werden.

---

### Verwenden der integrierten Öffnungen für die Wandmontage

Mithilfe der schlüssellochförmigen Öffnungen auf der Rückseite des APs kann das Gerät aufrecht an einer Wand oder einem Regal im Innenbereich angebracht werden. Achten Sie bei der Auswahl der Montageposition darauf, dass rechts neben der Einheit noch ausreichend Platz für Kabel ist.



---

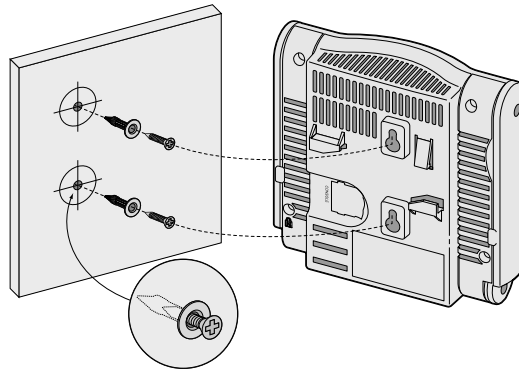
**Hinweis:** Die Abmessungen des Produkts finden Sie unter [Produktspezifikationen](#) in dieser Anleitung. Lassen Sie rechts neben dem befestigten Gerät 5 cm Platz für Kabel und achten Sie darauf, dass genügend Platz für die Ausrichtung der Antenne vorhanden ist.

---

1. Bringen Sie an der Montageposition zwei Schrauben im Abstand von 4,7 cm an der Wand oder am Regal an. Wenn Sie das Gerät an einer Trockenbauwand anbringen, empfiehlt Dell die Verwendung von geeigneten Dübeln (nicht im Lieferumfang enthalten).
2. Richten Sie die Montageöffnungen auf der Rückseite des APs über den Schrauben aus und schieben Sie die Einheit an ihre Position (siehe [Abbildung 2](#)).

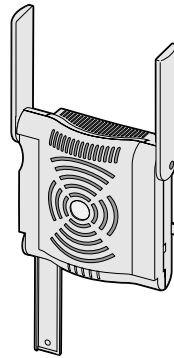


**Abbildung 2** Installation des Access Points der Serie W-AP120 an einer Wand



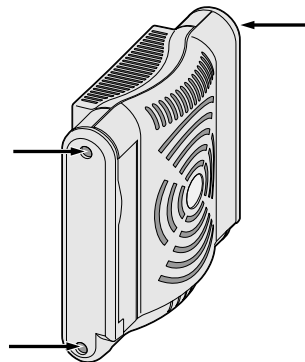
3. Richten Sie die Antennen am W-AP121 oder W-AP125 aus. Um die optimale Leistung zu erzielen, richten Sie die Antennen so aus, dass sie vertikal, möglichst auf derselben Ebene, parallel zur Wand ausgerichtet sind (siehe [Abbildung 3](#)).

**Abbildung 3** Antennenausrichtung für einen wandmontierten W-AP121/W-AP125



Installieren Sie beim W-AP120 oder W-AP124 die externen Antennen gemäß den Anweisungen des Herstellers und schließen Sie die Antennen an die Antennenschnittstellen am AP an (siehe [Abbildung 4](#)).

**Abbildung 4** Antennenschnittstellen am W-AP120/W-AP124



## Verwenden der integrierten Befestigungen für die Deckenschiene

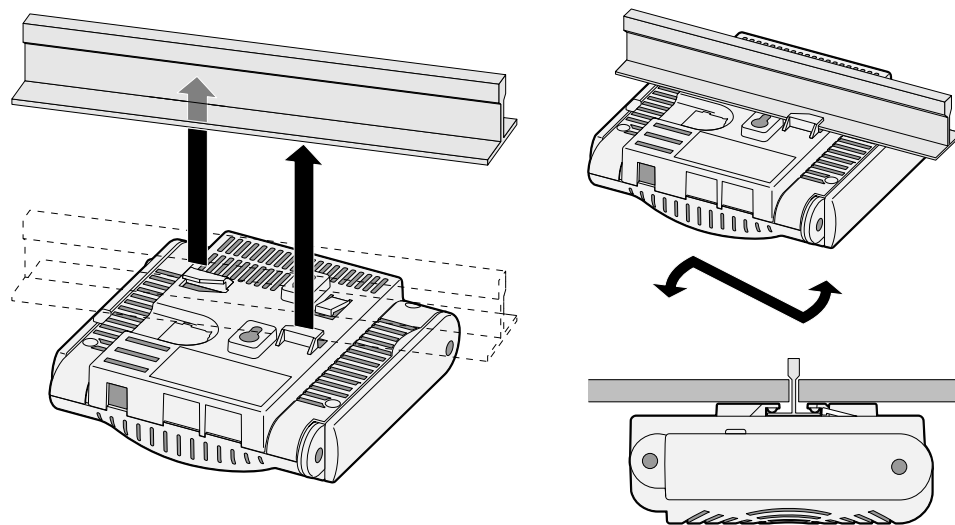
Mit den Schnappvorrichtungen für die Deckenmontage auf der Rückseite des APs kann das Gerät sicher direkt an einer 15/16 Zoll breiten, standardmäßigen Deckenplattenschiene befestigt werden.



**Vorsicht:** Achten Sie darauf, dass der AP sicher auf der Schiene sitzt, wenn Sie das Gerät an die Decke hängen, da es bei unsachgemäßer Befestigung herunterfallen und Personen verletzen oder Sachschäden verursachen könnte.

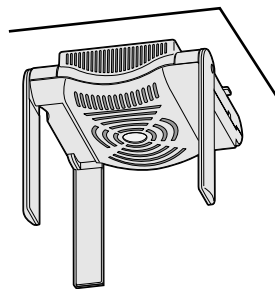
1. Führen Sie die erforderlichen Kabel durch ein vorbereitetes Loch in der Deckenplatte in der Nähe der für den AP vorgesehenen Position.
2. Falls erforderlich, schließen Sie das Konsolenkabel an die Konsolenschnittstelle auf der Rückseite des APs an.
3. Halten Sie den AP an die Deckenschiene, wobei sich die Vorrichtungen für die Anbringung an der Deckenschiene in einem Winkel von ungefähr 30 Grad zur Schiene befinden sollten (siehe [Abbildung 5](#)). Achten Sie darauf, dass sich etwaige Kabelschlaufen über der Deckenplatte befinden.

**Abbildung 5** Ausrichtung der Befestigungsvorrichtungen für die Deckenmontage



4. Drehen Sie den AP mit Druck in Richtung Decke im Uhrzeigersinn, bis das Gerät in der Deckenschiene einrastet.
5. Richten Sie die Antennen am W-AP121 oder W-AP125 aus. Die besten Ergebnisse erzielen Sie, wenn Sie die Antennen so drehen, dass sie sich in einer vertikalen Position (senkrecht zum AP) befinden (siehe [Abbildung 6](#)).

**Abbildung 6** Antennenausrichtung für einen deckenmontierten W-AP121/W-AP125



Installieren Sie beim W-AP120 oder W-AP124 die externen Antennen gemäß den Anweisungen des Herstellers und schließen Sie die Antennen an die Antennenschnittstellen am AP an (siehe [Abbildung 4](#)).

## Anschließen der erforderlichen Kabel

Schließen Sie Kabel immer in Übereinstimmung mit allen örtlichen und nationalen Vorschriften und Richtlinien an.

### Ethernet-Schnittstellen

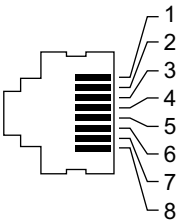
Die RJ45-Ethernet-Schnittstellen (ENET0 und ENET1) unterstützen 100/1000Base-T-Verbindungen mit automatischer Erkennung und MDI/MDX. Verwenden Sie diese Schnittstellen, um den AP an ein Twisted-Pair-Ethernet-LAN-Segment oder direkt an einen Dell Controller anzuschließen. Stellen Sie die Verbindung über ein 4- oder 8-adriges UTP-Kabel der Kategorie 5 (CAT5) her, das bis zu 100 m lang sein kann.



**Hinweis:** APs der Serie Dell W-AP120 dürfen nur in Umgebung A gemäß Definition in IEEE 802.3.af, Power over Ethernet installiert werden. Alle verbundenen Geräte müssen sich in demselben Gebäude befinden, dies gilt auch für die zugeordneten LAN-Verbindungen der verbundenen Geräte.

Die Schnittstellen für 100/1000-Mbit/s-Ethernet befinden sich auf der Unterseite des AP. Diese Schnittstellen haben RJ-45-Buchsen mit der in [Tabelle 1](#) dargestellten Pin-Belegung.

**Tabelle 1** Anschluss für Ethernet-Schnittstellen ENET0 und ENET1

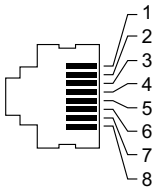
Anschluss	Pin	Signalname	GE-Verbindung	FE-Verbindung	PoE
	1	BI_DA+	Bidirektionales Paar A+	RX+	PoE negativ
	2	BI_DA-	Bidirektionales Paar A-	RX-	PoE negativ
	3	BI_DB+	Bidirektionales Paar B+	TX+	PoE positiv
	4	BI_DC+	Bidirektionales Paar C+	Reservepaar	PoE positiv
	5	BI_DC-	Bidirektionales Paar C-	Reservepaar	PoE positiv
	6	BI_DB-	Bidirektionales Paar B-	TX-	PoE positiv
	7	BI_DD+	Bidirektionales Paar D+	Reservepaar	PoE negativ
	8	BI_DB-	Bidirektionales Paar D-	Reservepaar	PoE negativ

### Serielle Konsolenschnittstelle

Die serielle Konsolenschnittstelle ermöglicht den Anschluss des APs an ein serielles Terminal oder an ein Laptop zur direkten lokalen Verwaltung. Bei dieser Schnittstelle handelt es sich um eine RJ-45-Buchse mit der in [Tabelle 2](#) dargestellten Pin-Belegung. Stellen Sie auf eine der folgenden Weisen eine Verbindung mit dieser Schnittstelle her:

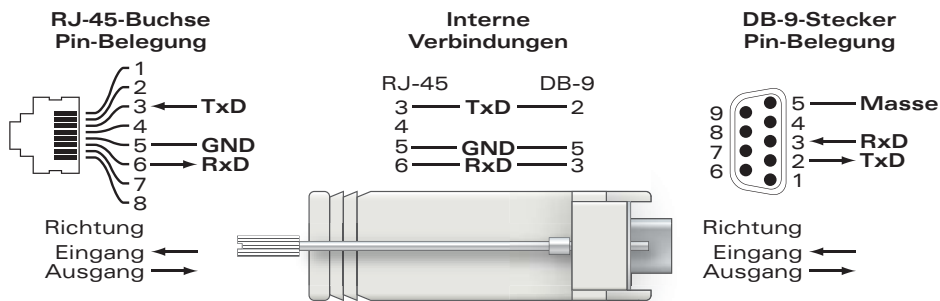
- Schließen Sie sie über ein Ethernet-Kabel direkt an ein Terminal oder einen Terminalserver an.
- Verwenden Sie einen modularen Adapter, um die RJ-45-Buchse am AP in einen DB-9-Stecker umzuwandeln, und schließen Sie den Adapter über ein RS-232-Kabel an ein Laptop an. Anschlussdetails des Adapters können Sie [Abbildung 7](#) entnehmen.

**Tabelle 2** Stecker für die serielle Konsolenschnittstelle

Anschluss	Pin	Signalname	Funktion
	3	TXD	Senden
	4	GND	Masse
	5	GND	Masse
	6	RXD	Empfangen
	Nicht aufgeführte Pins sind nicht angeschlossen.		

Nicht aufgeführte Pins sind nicht angeschlossen.

**Abbildung 7** Umwandlung der RJ-45-Buchse zum DB-9-Stecker mit modularem Adapter



## Stromversorgung

Die APs der Serie W-AP120 verfügen über einen 5-V-Gleichstrom-Anschluss für die Stromversorgung über einen Netzadapter (Wechselstrom-zu-Gleichstrom).

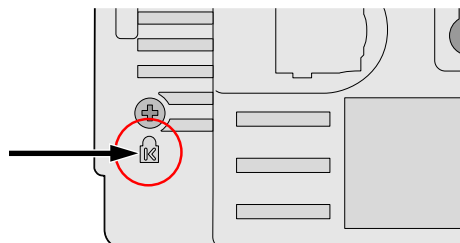


**Hinweis:** Sind sowohl PoE als auch Gleichstrom verfügbar, verwendet der AP PoE, selbst wenn nicht ausreichend PoE-Spannung für die Versorgung des APs vorhanden ist.

## Anschließen eines Sicherheitskabels

Um den W-AP121 oder W-AP125 besser zu sichern, können Sie ein Sicherheitskabel auf der Rückseite des Geräts anschließen (siehe [Abbildung 8](#)).

**Abbildung 8** Vorrichtung für ein Sicherheitskabel



## Überprüfen der Konnektivität nach der Installation

Mit den integrierten LEDs am AP kann jetzt überprüft werden, ob der AP mit Energie versorgt wird und erfolgreich initialisiert wurde (siehe [Tabelle 3](#)). Weitere Informationen zur Überprüfung der Netzwerkkonnektivität nach der Installation finden Sie im *ArubaOS Quick Start Guide*.

LED	Farbe/Status	Bedeutung
PWR	Grün, konstant	Eingeschaltet, Gerät bereit
	Grün, blinkend	System wird initialisiert
	Rot, konstant	System konnte nicht initialisiert werden, TAC benachrichtigen
ENET 0 (100/1000 Mbit/s)	Grün/Gelb, aus	Keine Verbindung
	Grün, ein	Verbindung mit 1000 Mbit/s
	Gelb, ein	Verbindung mit 100 Mbit/s
	Grün/Gelb, blinkend	Datenaktivität
ENET 1 (100/1000 Mbit/s)	Grün/Gelb, aus	Keine Verbindung
	Grün, ein	Verbindung mit 1000 Mbit/s
	Gelb, ein	Verbindung mit 100 Mbit/s
	Grün/Gelb, blinkend	Datenaktivität
11A/N	Gelb	Wireless-Verbindung ist Legacy 11a
	Grün	Wireless-Verbindung ist 11n 5-GHz-Band
11B/G/N	Gelb	Wireless-Verbindung ist Legacy 11b oder 11g
	Grün	Wireless-Verbindung ist 11n 2,4-GHz-Band

## Konfiguration der Serie W-AP120

### AP-Provisioning/-Reprovisioning

Die Parameter für das Provisioning (Versorgungsprozess) sind für jeden AP einzigartig. Diese lokalen AP-Parameter werden erstmalig auf dem Controller konfiguriert und dann auf den AP geleitet und dort gespeichert. Dell empfiehlt, die Provisioning-Einstellungen nur über die ArubaOS-Web-UI zu konfigurieren. Ausführliche Informationen finden Sie im *ArubaOS User Guide*.

### AP-Konfiguration

Die Konfigurationsparameter sind netzwerk- oder Controllerspezifisch und werden auf dem Controller konfiguriert und gespeichert. Die Einstellungen für die Netzwerkkonfiguration werden an den AP bzw. die APs weitergegeben, sie bleiben jedoch im Speicher des Controllers.

Die Konfigurationseinstellungen lassen sich über die ArubaOS Web-UI, ArubaOS CLI oder Aruba MMS vornehmen. Weitere Informationen finden Sie in den entsprechenden Handbüchern: *ArubaOS User Guide*.

# Produktspezifikationen

## Mechanisch

- Abmessungen (Antenne eingefahren) (HxBxT):
  - 12,4 cm x 13 cm x 5,1 cm
- Gewicht: 0,42 kg
- Versandmaße:
  - 24,1 cm x 18,4 cm x 11,4 cm
- Temperatur:
  - Betrieb: 0°C bis 50°C
  - Lagerung: -10°C bis 70°C



---

**Hinweis:** Bei normalem Betrieb kann die Temperatur an der Unterseite der Serie W-AP120 80°C erreichen. Dies liegt innerhalb des erwarteten Betriebstemperaturbereichs.

---

- Relative Luftfeuchtigkeit: 5 % bis 95 %, nicht kondensierend
- Höhe: 2438 m bei 28°C
- Montage: Wand, Decke oder Schreibtisch
- Antennen:
  - 3 integrierte bewegliche Dualbank-Antennenelemente (W-AP121, W-AP125)
  - 3 RP-SMA-Schnittstellen für externe Antennen (W-AP120, W-AP124)
- Optische Statusanzeigen (LEDs): Siehe [Tabelle 3](#)

## Elektrisch

- Ethernet:
  - 2 x 100/1000 Base-T Ethernet-RJ-45-Schnittstellen mit automatischer Erkennung
  - MDI/MDX
  - IEEE 802.3 (10Base-T), IEEE 802.3u (100Base-T) IEEE 802.3ab (1000Base-T)
  - Power over Ethernet (IEEE 802.3af-konform), 48 V DC/350 mA (Pin-Konfiguration siehe [Tabelle 1](#))
- Stromversorgung:
  - 5-VDC-Schnittstelle, unterstützt Stromversorgung über einen Netzadapter (Wechselstrom-zu-Gleichstrom)



---

**Hinweis:** Wenn in den USA oder in Kanada ein anderer Netzadapter als der von Dell bereitgestellte verwendet wird, sollte er das cULus (NRTL)-Kennzeichen tragen, mit einer Nennausgabe von 5 VDC, mindestens 4 A, Kennzeichnung „LPS“ oder „Class 2“, geeignet für den Anschluss an eine in den USA und in Kanada übliche Standardsteckdose.

---

- PoE-Unterstützung an Ethernet-Schnittstellen:
  - 802.3af-konforme PoE-Sourcing-Geräte
  - POE+ (56 V @ 350 mA)

## Wireless LAN

- Netzwerkstandards: IEEE 802.11b, IEEE 802.11g, IEEE 802.11a und IEEE 802.11n (Entwurf)
- Antennentyp:
  - Integrierte 802.11a/b/g/n omnidirektionale High-Gain-Antenne
  - Abnehmbare 802.11a/b/g/n omnidirektionale High-Gain-Antenne
- Antennengewinn (integrierte Antennen):
  - 2,4 – 2,5 GHz/3,2 dBi (max.)
  - 5,180 – 5,825 GHz/5,2 dBi (max.)
- Funktechnologie:
  - Orthogonal Frequency Division Multiplexing (OFDM)
  - Direct Sequence Spread Spectrum (DSSS)
- Funkmodulationstyp:
  - 802.11b - CCK, BPSK, QPSK
  - 802.11g - CCK, BPSK, QPSK, 16-QAM, 64-QAM
  - 802.11a - BPSK, QPSK, 16-QAM, 64-QAM
  - 802.11n Entwurf 2.0
- Media Access Control (MAC): CSMA/CA mit ACK
- Unterstützte Frequenzbänder 2,4 GHz:
  - 2,400 ~ 2,4835 GHz (global), Kanäle landesspezifisch
- Unterstützte Frequenzbänder 5 GHz:
  - 5,150 ~ 5,250 GHz (Low-Band), landesspezifisch
  - 5,250 ~ 5,350 GHz (Mid-Band), landesspezifisch
  - 5,470 ~ 5,725 GHz (Europa), landesspezifisch
  - 5,725 ~ 5,825 GHz (High-Band), landesspezifisch

802.11b	802.11g	802.11a	802.11n
USA, Kanada 11	USA, Kanada 11	USA, Kanada 12	<< NEED >>
ETSI 13	ETSI 13	ETSI (bis zu 19)	<< NEED >>
Japan 14	Japan 13	Japan 4	<< NEED >>
Taiwan 11	Taiwan 11	Taiwan 7	<< NEED >>

- Datenraten:
  - 802.11b - 1, 2, 5,5, 11 Mbit/s pro Kanal
  - 802.11g - 6, 9, 12, 18, 24, 36, 48 und 54 Mbit/s pro Kanal
  - 802.11a - 6, 9, 12, 18, 24, 36, 48 und 54 Mbit/s pro Kanal
  - 802.11n - Datenrate MCS0 – MCS15 (von 6,5 Mbit/s bis 300 Mbit/s)

## Ordnungsgemäße Entsorgung von Dell-Geräten

Die aktuellsten Informationen zur Konformität mit globalen Umweltschutzrichtlinien und Dell-Produkten finden Sie im Dokument *Dell PowerConnect W-Series Safety, Environmental, and Regulatory Information*, das Sie mit diesem Produkt erhalten haben, oder auf unserer Website unter [www.dell.com](http://www.dell.com).

### RoHS-Richtlinie der Europäischen Union

**RoHS**

Aruba-Produkte erfüllen auch die RoHS-Richtlinie 2002/95/EC (Restriction of Hazardous Substances, Beschränkung gefährlicher Substanzen). Die RoHS-Richtlinie der EU schränkt die Verwendung gefährlicher Substanzen bei der Herstellung von elektrischen und elektronischen Produkten ein. Insbesondere Blei (einschließlich Lötzinn in elektronischen Leiterplatten), Cadmium, Quecksilber, sechswertiges Chrom und Brom gehören laut RoHS-Richtlinie zu den einzuschränkenden Werkstoffen. Für einige Aruba-Produkte gelten die Ausnahmen, die in Anhang 7 der RoHS-Richtlinie aufgeführt sind (Lötzinn in elektronischen Leiterplatten). Produkte und Verpackung sind mit dem RoHS-Kennzeichen (links abgebildet) gekennzeichnet, um die Konformität mit dieser Richtlinien anzuzeigen.

### Austausch von Batterien



---

**Vorsicht:** Die Batterien der Dell-Produkte dürfen nur durch qualifiziertes Servicepersonal von Dell ausgetauscht werden. Wenden Sie sich an Dell, wenn Batterien ersetzt werden müssen. Versuchen Sie nicht, die Batterie selbst zu wechseln. Es besteht Explosionsgefahr, wenn Sie eine ungeeignete Batterie einsetzen. Entsorgen Sie Batterien gemäß der geltenden Bestimmungen.

---

### Sicherheits- und Zulassungsbestimmungen

Dell stellt ein mehrsprachiges Dokument bereit, das landesspezifische Einschränkungen sowie zusätzliche Sicherheits- und Zulassungsbestimmungen für Hardwareprodukte von Dell enthält. Das Dokument *Dell PowerConnect W-Series Safety, Environmental, and Regulatory Information* haben Sie mit diesem Produkt erhalten.



---

**Vorsicht:** Erklärung zur Abgabe von Funkstrahlung: Dieses Gerät erfüllt die FCC-Bestimmungen zur Abgabe von Funkstrahlung. Dieses Gerät sollte bei 2,4-GHz- und 5-GHz-Betrieb mit einem Mindestabstand von 35 cm zwischen dem Abstrahler und Ihrem Körper installiert und betrieben werden. Der Transmitter darf nicht zusammen mit anderen Antennen oder Transmittern platziert oder betrieben werden. Bei Betrieb im Frequenzbereich zwischen 5,15 und 5,25 GHz darf dieses Gerät nur im Innenbereich verwendet werden, um das Risiko gefährlicher Störungen von Mobilfunksystemen auf dem gleichen Kanal zu verringern.

---



## Koreanischer Warnhinweis für Funkeinrichtungen

### Radio Equipment for the radio data communication system

#### \*\* Warning Notice \*\*

For a radio equipment using 2400~2483.5MHz or 5725~5825MHz, the following two expression should be displayed ;

1. Indicate following expression on the product where is easy to see : "This radio equipment can be crossed during operation."

당해 무선설비는 운용 중 전파혼신 가능성이 있음

당해 무선설비는 운용 중 전파혼신 가능성이 있음

2. The manufacturer and installer should fully inform the operator or users "This radio equipment cannot provide a service relevant to the human life safety, as it can be crossed" through the user manual etc.

당해 무선설비는 전파혼신 가능성이 있으므로 인명안전과 관련된 서비스는 할 수 없습니다.

당해 무선설비 전파혼신 가능성이 있으므로 인명안전과 관련된 서비스는 할 수 없습니다.

#### Copyright

© 2010 Aruba Networks, Inc. AirWave®, Aruba Networks®, Aruba Mobility Management System®, Bluescanner, For Wireless That Works®, Mobile Edge Architecture®, People Move. Networks Must Follow®, RFprotect®, The All Wireless Workplace Is Now Open For Business, Green Island und The Mobile Edge Company® sowie andere eingetragene Marken sind Marken von Aruba Networks, Inc. Dell™, das DELL™-Logo und PowerConnect™ sind Marken von Dell Inc.

Alle Rechte vorbehalten. Spezifikationen in diesem Handbuch können ohne Ankündigung geändert werden.

Hergestellt in den USA. Alle anderen Marken, die in diesem Handbuch erwähnt werden, sind das Eigentum der jeweiligen Unternehmen.

#### Open Source Code

Bestimmte Aruba-Produkte enthalten Open Source-Softwarecode, der von Drittanbietern entwickelt wurde, darunter Softwarecode gemäß GNU General Public License (GPL), GNU Lesser General Public License (LGPL) oder anderen Open Source-Lizenzen. Den Open Source Code finden Sie auf dieser Website:

[http://www.arubanetworks.com/open\\_source](http://www.arubanetworks.com/open_source)

#### Rechtliche Hinweise

Die Verwendung von Switching-Plattformen und Software von Aruba Networks, Inc. durch Einzelpersonen oder Unternehmen zur Terminierung von VPN-Client-Geräten anderer Hersteller stellt die vollständige Anerkennung der Haftbarkeit dieser Einzelpersonen oder dieses Unternehmens für diese Aktion dar und enthebt Aruba Networks, Inc. zur Gänze aller rechtlichen Maßnahmen, die bezüglich der Verletzung des Urheberrechts im Namen dieser Hersteller ergriffen werden.

#### Garantie

Für dieses Hardwareprodukt gilt die Aruba-Standardgarantie von einem Jahr auf Teile/Arbeiten. Weitere Informationen finden Sie in den ARUBACARE SERVICE AND SUPPORT TERMS AND CONDITIONS (Nutzungsbedingungen für Arubacare Service und Support).

Durch Änderungen am Gerät (zum Beispiel Auftragen von Farbe) wird die Garantie ungültig.



# Point d'accès Dell PowerConnect série W-AP120

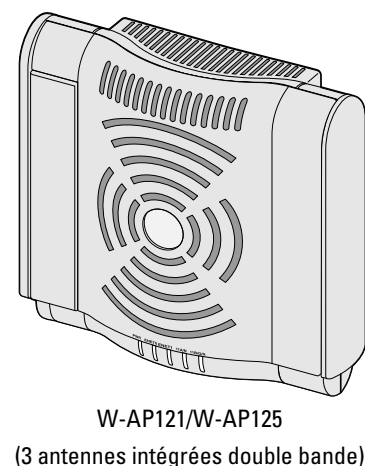
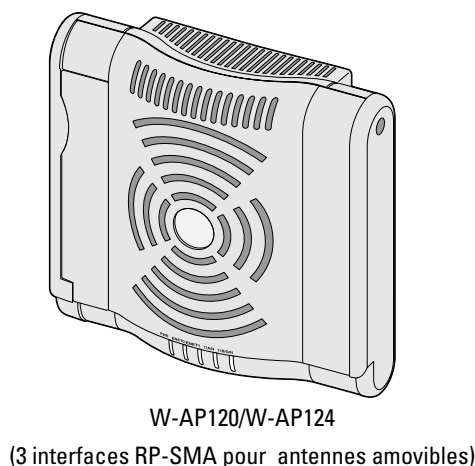
## Guide d'installation

La série Dell W-AP120 de points d'accès sans fil anticipe la norme IEEE 802.11n (actuellement en préversion 2.0) pour les réseaux sans fil hautes performances. Ces points d'accès ont recours à la technologie « MIMO » (Multiple-in, Multiple-out - entrées et sorties multiples) ainsi qu'à d'autres techniques à haut débit pour offrir des performances exceptionnelles et la prise en charge anticipée de la norme 802.11n pour les systèmes à 2,4 et 5 GHz, tout en prenant en charge les services sans fil 802.11a/b/g existants. Les points d'accès de la série W-AP120 sont disponibles avec un émetteur radio simple ou double, avec des antennes intégrées ou des interfaces RP-SMA qui prennent en charge les antennes amovibles. Les points d'accès de la série W-AP120 fonctionnent uniquement en conjonction avec un contrôleur Dell.

La série Dell W-AP120 de points d'accès offre les caractéristiques suivantes :

- Émetteur-récepteur sans fil
- Fonctionnalité réseau indépendante du protocole
- Application de la norme IEEE 802.11a/b/g ou 802.11n en tant que point d'accès réseau sans fil
- Application de la norme IEEE 802.11a/b/g ou 802.11n pour les réseaux sans fil en mode moniteur (Air Monitor)
- Compatibilité avec la norme d'alimentation sous Ethernet (PoE - Power Over Ethernet) IEEE 802.3af, ainsi que les préversions des normes d'alimentation sous Ethernet deux fois plus puissantes (PoE + / 802.3at)
- Gestion centralisée, configuration, et mises à jour sur un contrôleur Dell
- Mise à jour des modèles série W-AP120 a/b/g conformément à 802.11n (préversion) au moyen d'une licence contrôleur.

**Figure 1** Point d'accès de la série W-AP120



## Contenu de la boîte

- Point d'accès Série AP-120
- Guide d'installation (le présent document)



---

**Remarque :** Informez votre fournisseur si l'un des éléments est incorrect, manquant ou endommagé. Si possible, conservez l'emballage d'origine. Vous disposerez ainsi de tout le nécessaire en cas de renvoi de matériel au fournisseur.

---



---

**Remarque :** Des kits de montage supplémentaires à utiliser avec les points d'accès de la série W-AP120 sont vendus séparément. Contactez votre représentant Dell pour plus de détails.

---

## Avant de commencer

### Planification du réseau sans fil

Déterminez le nombre de points d'accès Dell requis pour votre déploiement de réseau sans fil et leur emplacement d'installation. Le logiciel RF Plan d'Dell (disponible séparément) simplifie considérablement la phase d'étude du site. Cette procédure fait partie de la planification du réseau sans fil ou à fréquences radio et doit s'effectuer lors de l'installation et de la configuration du contrôleur Dell principal. Dans les installations Dell types, les contrôleurs sont configurés et installés avant les points d'accès.

Pour obtenir de l'aide sur la planification d'un réseau sans fil, consultez les documents *Indoor Access Points: Site Survey and Planning Pre-Deployment Guide* et *RF Plan Installation and User Guide*.

### Préparation de l'installation du réseau

Suite à la phase de planification du réseau sans fil et après avoir identifié les produits nécessaires et les emplacements adéquats, le contrôleur Dell, ou un ensemble de ces derniers, doit être installé et vous devez procéder à la configuration initiale avant le déploiement des points d'accès Dell.

Pour la configuration initiale du contrôleur, consultez le guide *ArubaOS Quick Start Guide* correspondant à la version du logiciel installé sur votre contrôleur.

### Liste de contrôle de préparation à l'installation

Avant d'installer votre point d'accès de la série W-AP120, assurez-vous que vous disposez des éléments suivants :

- Pour le W-AP120/W-AP124 : antennes externes telles que spécifiées dans le plan de déploiement du réseau
- Câble UTP CAT5 de la longueur requise
- L'une des sources d'alimentation suivantes :
  - Source IEEE 802.3af compatible PoE (Power over Ethernet - alimentation sous Ethernet)
  - Prend en charge toutes les fonctionnalités du W-AP120/W-AP121 et des fonctionnalités réduites pour le W-AP124/W-AP125
  - Source d'alimentation IEEE PoE + de 56 volts @ 350 mA
  - La source d'alimentation sous Ethernet peut provenir de tout contrôleur d'équipement source d'alimentation (PSE - Power Source Equipment) ou de tout injecteur de puissance
  - Kit adaptateur secteur pour point d'accès Dell (vendu séparément)

- Contrôleur Dell configuré sur le réseau :
  - Connectivité réseau de couche 2/3 vers votre point d'accès
  - Un des services réseau suivants :
    - ADP (Aruba Discovery Protocol - Protocole de découverte Aruba)
    - Serveur DNS avec un enregistrement « A »
    - Serveur DHCP avec support des options constructeur

## Version abrégée du processus d'installation



---

**Remarque :** Il est important de vérifier les éléments figurant dans la section [Liste de contrôle de préparation à l'installation](#) avant de tenter de mettre en place et de configurer un point d'accès Série W-AP120.

---

L'installation réussie d'un point d'accès Série AP-120 comprend cinq tâches, qui doivent être effectuées dans l'ordre suivant :

1. Vérification de la connectivité avant l'installation.
2. Identification de l'emplacement exact d'installation des différents points d'accès.
3. Installation des points d'accès.
4. Vérification de la connectivité après l'installation.
5. Configuration des points d'accès.



---

**Remarque :** Dell, conformément aux normes en vigueur aux États-Unis, a conçu les points d'accès Série AP-120 de façon à ce que seuls les administrateurs de réseau autorisés puissent modifier les paramètres. Pour plus d'informations sur la configuration des points d'accès, consultez le guide *ArubaOS Quick Start Guide and Aruba OS User Guide*.

---



---

**ATTENTION :** Les points d'accès sont des périphériques de transmission radio et en tant que tel sont soumis aux réglementations nationales. Les administrateurs réseau responsables de la configuration et de l'exploitation des points d'accès doivent se conformer aux règlements régissant la diffusion en vigueur. De façon plus précise, les points d'accès doivent employer des affectations de canaux adaptés à l'emplacement physique du point d'accès.

---

## Vérification de la connectivité avant l'installation

Avant d'installer les points d'accès dans un environnement réseau, assurez-vous que les points d'accès sont en mesure d'identifier le contrôleur et de s'y connecter lorsqu'ils sont mis en fonction.

De façon plus précise, vous devez vous assurer que les conditions suivantes sont réunies :

- Lorsqu'ils sont connectés au réseau, les points d'accès disposent d'une adresse IP valide
- Les points d'accès peuvent détecter le contrôleur

Consultez le guide *ArubaOS Quick Start* pour obtenir les instructions relatives à la détection et la connexion au contrôleur.

## Identification des emplacements d'installation

Vous pouvez monter le point d'accès Série AP-120 sur un mur ou un plafond. Utilisez la carte générée par le logiciel RF Plan de Dell pour identifier les emplacements d'installation optimale du point d'accès. Chaque emplacement doit être aussi près que possible du centre de la zone à couvrir et ne doit pas comporter d'obstructions ou de sources évidentes d'interférences. Ces sources d'absorption/de réfléchissement/d'interférence ont un impact sur la propagation des fréquences radio et doivent être prises en compte pendant la phase de planification et intégrées dans le logiciel RF Plan.

### Absorbeurs/réflecteurs/interférences connus de fréquences radio

Il est essentiel d'identifier les absorbeurs, les réflecteurs et les sources d'interférences de fréquence radio présents sur le terrain pendant la phase d'installation. Assurez-vous que ces éléments sont pris en considération lorsque vous connectez un point d'accès à son emplacement fixe.

Les absorbeurs de fréquence radio incluent :

- Ciment/béton : les bétons plus anciens ont de forts niveaux d'évaporation de l'eau, ce qui accroît la propagation potentielle des fréquences radio. Par contre, les bétons récemment coulés ont une forte concentration d'eau, ce qui en limite la propagation.
- Éléments naturels : aquariums, fontaines, marres et arbres.
- Briques.

Les réflecteurs de fréquences radio incluent :

- Objets en métal : plaques de métal séparant des étages, barres d'armature, portes anti-incendie, air conditionné/conduites de chauffage, fenêtres grillagées, volets, grillages (selon les dimensions des mailles), réfrigérateurs, racks, étagères et armoires de rangement.
- Ne placez pas de points d'accès entre deux conduites d'air conditionné/chauffage. Assurez-vous que les points d'accès sont placés entre les conduites de façon à éviter les perturbations de fréquences radio.

Les sources d'interférence de fréquences radio incluent :

- Fours à micro-onde et autres objets ayant une fréquence de 2,4 ou 5 GHz (tels que les téléphones sans fil ou les détecteurs d'alarmes anti-intrusion) ;
- Cantines et centres d'appels comportant des casques sans fil.

## Installation du point d'accès



---

**Remarque :** Les interventions sur tous les produits Dell doivent être confiées exclusivement au personnel qualifié.

---

### Utilisation des emplacements de montage mural intégrés

Les ouvertures en forme de trou de serrure au dos du point d'accès permettent de fixer le périphérique debout sur un mur de partition ou une étagère. Lorsque vous choisissez un emplacement de montage, prévoyez un espace supplémentaire à droite de l'unité pour le passage des câbles.



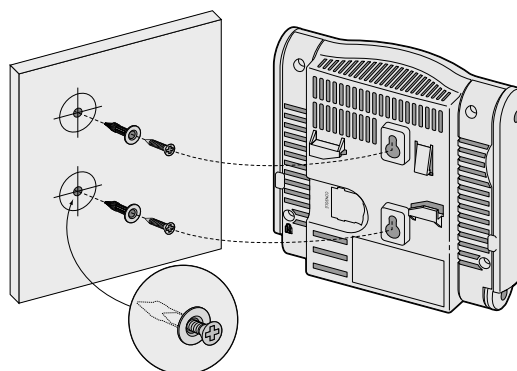
---

**Remarque :** Pour connaître les dimensions du produit, voir la section [Spécifications du produit](#) de ce guide. Laissez 5 cm à droite de l'unité installée pour les câbles et assurez-vous que l'articulation de l'antenne dispose d'un espace suffisant.

---

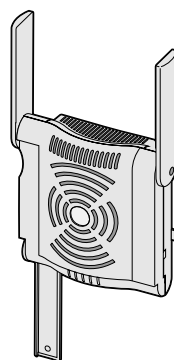
1. Sur l'emplacement de montage, installez deux vis sur le mur ou l'étagère, à 4,7 cm d'écart. Si vous montez le périphérique sur une cloison sèche, Dell recommande d'utiliser des chevilles spéciales (non incluses).
2. Alignez les trous de montage situés sur la partie arrière du point d'accès sur les vis et faites glisser l'unité pour la mettre en place (voir [Figure 2](#)).

**Figure 2** Installation murale du point d'accès série W-AP120



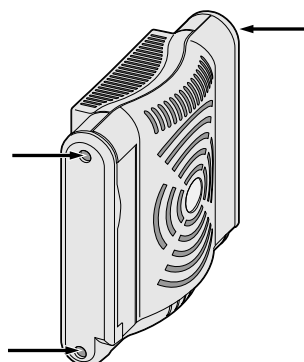
3. Sur le W-AP121 ou le W-AP125, orientez les antennes. Pour de meilleures performances, faites pivoter les antennes de façon à ce qu'elles soient orientées à la verticale, de préférence sur le même plan et parallèles par rapport au mur (voir [Figure 3](#)).

**Figure 3** Orientation de l'antenne lors du montage mural d'un W-AP121/W-AP125



Sur le W-AP120 ou le W-AP124, installez les antennes externes conformément aux instructions du fabricant et connectez les antennes sur les interfaces prévues à cet effet sur le point d'accès (voir [Figure 4](#)).

**Figure 4** Interfaces d'antenne sur le W-AP120/W-AP124



## Utilisation des emplacements intégrés pour rails de plaques de plafond

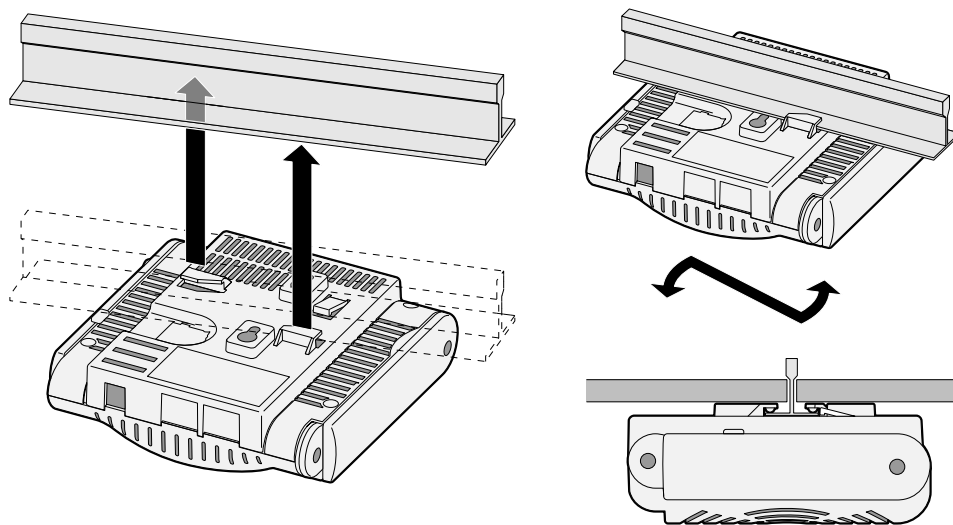
Les emplacements à pince pour rails de plaques de plafond situés sur la partie arrière du périphérique permettent de le monter directement sur un rail standard pour plaques de plafond de 38/40 cm.



**ATTENTION :** Assurez-vous que le point d'accès est bien accroché au rail de plafond, dans la mesure où une installation médiocre risque de blesser des personnes ou d'endommager du matériel.

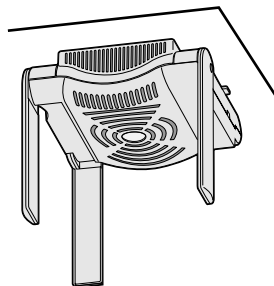
1. Tirez tous les câbles requis au travers d'un trou préparé dans la plaque de plafond la plus proche du point d'accès.
2. Si nécessaire, connectez le câble de la console sur le port de console, sur la partie arrière du point d'accès.
3. Maintenez le point d'accès près du rail de plafond en orientant les emplacements de montage à un angle d'environ 30° par rapport au rail du plafond (voir [Figure 5](#)). Assurez-vous que les câbles sont bien situés au dessus de la plaque de plafond.

**Figure 5** Orientation des emplacements de montages sur rail de plafond



4. En poussant vers la plaque de plafond, faites pivoter le point d'accès dans le sens horaire jusqu'à ce que vous sentiez un déclic indiquant qu'il est engagé sur le rail de plafond.
5. Sur le W-AP121 ou le W-AP125, orientez les antennes. Pour de meilleurs résultats, faites pivoter les antennes de façon à ce qu'elles soient verticales (perpendiculaires par rapport au corps du point d'accès) (voir [Figure 6](#)).

**Figure 6** Orientation de l'antenne lors du montage au plafond d'un W-AP121/W-AP125



Sur le W-AP120 ou le W-AP124, installez les antennes externes conformément aux instructions du fabricant et connectez les antennes sur les interfaces prévues à cet effet sur le point d'accès (voir [Figure 4](#)).



## Connexion de câbles requis

Installez les câbles conformément aux règlements locaux et nationaux et aux règles de l'art.

### Ports Ethernet

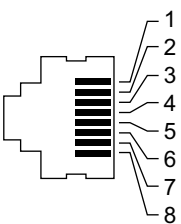
Les ports Ethernet RJ45 (ENET0 et ENET1) prennent en charge les connexions auto-MDI/MDX 100/1000 Base-T. Utilisez ces ports pour connecter le point d'accès à un segment réseau Ethernet en paire torsadée ou directement à un contrôleur Dell. Utilisez un câble UTP de catégorie 5 à 4 ou 8 brins, d'une longueur maximale de 100 m.



**Remarque :** Les points d'accès de la série Dell/W-AP120 sont conçus uniquement pour l'installation dans un environnement de type A, tel que défini dans IEEE 802.3.af, PoE (Power over Ethernet - Alimentation sous Ethernet). Tous les équipements interconnectés doivent être contenus dans le même bâtiment, ce qui inclut les connexions réseau de ces équipements.

Les ports Ethernet 100/1000 Mbps/s sont situés sur le dessous du point d'accès. Ces ports comportent des connecteurs RJ-45 femelles dont le brochage est illustré dans la section [Tableau 1](#).

**Tableau 1** Connecteur pour les ports Ethernet ENET0 et ENET1

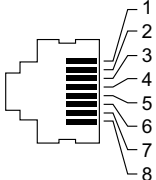
Connecteur	Broche	Nom du signal	Connexion GE	Connexion FE	PoE
	1	BI_DA+	Paire bidirectionnelle A+	RX+	PoE négatif
	2	BI_DA-	Paire bidirectionnelle A-	RX-	PoE négatif
	3	BI_DB+	Paire bidirectionnelle B+	TX+	PoE positif
	4	BI_DC+	Paire bidirectionnelle C+	Paire libre	PoE positif
	5	BI_DC-	Paire bidirectionnelle C-	Paire libre	PoE positif
	6	BI_DB-	Paire bidirectionnelle B-	TX-	PoE positif
	7	BI_DD+	Paire bidirectionnelle D+	Paire libre	PoE négatif
	8	BI_DB-	Paire bidirectionnelle D-	Paire libre	PoE négatif

### Port console série

Le port de console série permet de connecter le point d'accès à un terminal série ou un ordinateur portable pour procéder directement à la gestion du périphérique. Ce port est un connecteur RJ-45 femelle dont le brochage est illustré dans la section [Tableau 2](#). La connexion à ce port se fait de l'une des façons suivantes :

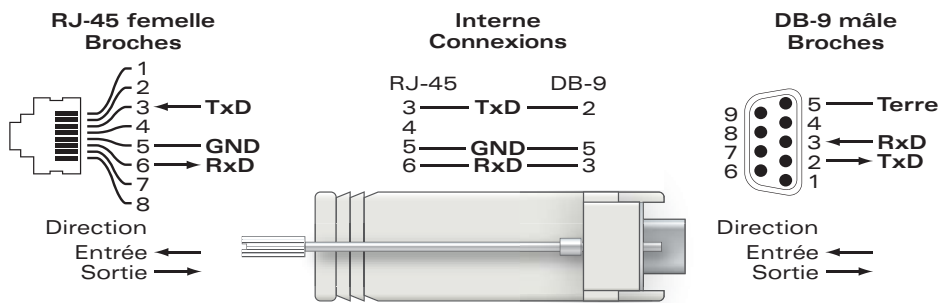
- Connexion directe sur un terminal ou un serveur de terminal au moyen d'un câble Ethernet.
- Utilisation d'un adaptateur modulaire pour convertir le connecteur RJ-45 (femelle) du point d'accès en un connecteur DB-9 (mâle) et connexion de cet adaptateur sur un ordinateur portable à l'aide du câble RS-232. Voir la section [Figure 7](#) pour plus de détails sur le connecteur de cet adaptateur.

**Tableau 2** Connecteur du port de console série

Connecteur	Broche	Nom du signal	Fonction
	3	TXD	Transmission
	4	GND	Terre
	5	GND	Terre
	6	RXD	Réception

Les broches qui ne figurent pas dans la liste ne sont pas connectées.

**Figure 7** Conversion d'adaptateur modulaire RJ-45 (femelle) vers DB-9 (mâle)



## Prise d'alimentation

Le point d'accès de la série W-AP120 dispose d'une prise unique d'alimentation en 5 V c.c. qui nécessite la connexion d'un adaptateur secteur.

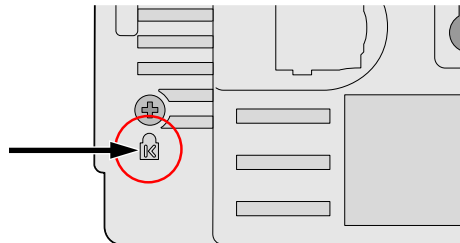


**Remarque :** Si des sources d'alimentation PoE et c.c. sont disponibles, le point d'accès utilise la source PoE, même si la tension PoE fournie est insuffisante pour le point d'accès.

## Connexion d'un câble de sécurité

Pour renforcer la sécurité du W-AP121 ou du W-AP125, vous pouvez fixer un câble de sécurité à l'arrière de l'unité (voir [Figure 8](#)).

**Figure 8** Point de connexion du câble de sécurité



## Vérification de la connectivité après l'installation

Les voyants intégrés du point d'accès permettent de s'assurer que ce périphérique est sous tension et s'est initialisé avec succès (voir [Tableau 3](#)). Consultez le guide *ArubaOS Quick Start Guide* pour plus de détails sur la vérification de la connectivité réseau après l'installation.

Voyant	Couleur/état	Signification
PWR	Vert constant	Sous tension, périphérique prêt
	Vert clignotant	Initialisation du système en cours
	Rouge constant	Impossible d'initialiser le système, contactez TAC
ENET 0 (100/1000 Mbits/s)	Vert/orange éteint	Pas de liaison
	Vert allumé	Liaison 1 000 Mbits/s
	Orange allumé	Liaison 100 Mbits/s
	Vert/orange clignotant	Activité des données
ENET 1 (100/1000 Mbits/s)	Vert/orange éteint	Pas de liaison
	Vert allumé	Liaison 1 000 Mbits/s
	Orange allumé	Liaison 100 Mbits/s
	Vert/orange clignotant	Activité des données
11A/N	Orange	Liaison sans fil de type ancien, 11a
	Vert	Liaison sans fil 11n dans la bande de 5 Ghz
11B/G/N	Orange	Liaison sans fil de type ancien, 11b ou 11g
	Vert	Liaison sans fil 11n dans la bande de 2,4 Ghz

## Configuration de la série W-AP120

### Configuration/annulation de la configuration du point d'accès

Les paramètres de configuration sont propres à chaque point d'accès. Ces paramètres de point d'accès local sont configurés à l'origine sur le contrôleur et sont ensuite poussés vers le point d'accès, où ils sont ensuite stockés. Dell recommande de configurer les paramètres de configuration exclusivement sur l'interface Web d'ArubaOS. Consultez le guide *ArubaOS User Guide* pour plus de détails.

### Configuration du point d'accès

Les paramètres de configuration dépendent du réseau ou du contrôleur et sont configurés et stockés sur le contrôleur. Les paramètres de configuration réseau sont poussés vers le ou les points d'accès, mais restent stockés sur le contrôleur.

Les paramètres de configuration peuvent être configurés au moyen de l'interface Web d'ArubaOS, d'ArubaOS CLI ou d'Aruba MMS. Reportez-vous aux guides correspondants pour plus de détails : *ArubaOS User Guide*.

# Spécifications du produit

## Mécaniques

- Dimensions (antenne rangée) (HxLxP):
  - 12,4 x 13 x 5,1 cm
  - 4,9 x 5,13 x 2 pouces
- Poids : 0,42 kg/15 onces
- Dimensions à l'expédition :
  - 24,1 x 18,4 x 11,4 cm
  - 9,5 x 7,25 x 4,5 pouces
- Température :
  - Fonctionnement : 0 à 50° C (32 à 122° F)
  - Stockage : -10 à 70° C (14 à 158° F)



---

**Remarque :** Lors d'une utilisation normale, la température de la série W-AP120 peut être proche de 80° C (176° F). Il s'agit d'une plage normale de températures de fonctionnement.

---

- Humidité relative : 5 à 95 % sans condensation
- Altitude : 2 438 m/8 000 pieds @ 28° C (82,4° F)
- Montage : mur, plafond ou bureau
- Antennes :
  - 3 éléments d'antenne intégrée double bande articulée (W-AP121, W-AP125)
  - 3 interfaces RP-SMA pour les antennes externes (W-AP120, W-AP124)
- Voyants d'état (DEL) : voir [Tableau 3](#)

## Électriques

- Ethernet :
  - 2 x interfaces Ethernet RJ-45 100/1000 Base-T à détection automatique
  - MDI/MDX
  - IEEE 802.3 (10Base-T), IEEE 802.3u (100Base-T), IEEE 802.3ab (1000 Base-T)
  - PoE (Power over Ethernet - compatible IEEE 802.3af), 48 V c.c./350 mA (voir la section [Tableau 1](#) pour le brochage)
- Alimentation :
  - Interface d'alimentation de 5 V c.c., possibilité d'alimentation au moyen d'un adaptateur secteur



---

**Remarque :** Si vous n'utilisez pas l'adaptateur secteur fourni par Dell aux États-Unis et au Canada, vous devez utiliser un adaptateur figurant dans la liste cULus (NRTL), avec une sortie nominale de 5 V c.c., une intensité minimale de 4 A, marqué « LPS » ou « Classe 2 », et pouvant être branché sur une prise standard aux États-Unis ou au Canada.

---

- Prise en charge de PoE sur les ports Ethernet :
  - Périphériques PoE sources compatibles 802.3af
  - PoE+ (56 V @ 350 mA)

## Réseau sans fil

- Normes réseau : IEEE 802.11b, IEEE 802.11g, IEEE 802.11a et IEEE 802.11n (préversion)
- Type d'antenne :
  - Antenne omnidirectionnelle intégrée à fort gain 802.11a/b/g/n
  - Antenne omnidirectionnelle amovible à fort gain 802.11a/b/g/n
- Gain d'antenne (antennes intégrées) :
  - 2,4 à 2,5 GHz/3,2 dBi (max)
  - 5,180 à 5,825 GHz/5,2 dBi (max)
- Technologie radio :
  - Multiplexage orthogonal par répartition en fréquences (OFDM)
  - Étalement du spectre en séquence directe (DSSS)
- Type de modulation radio :
  - 802.11b - CCK, BPSK, QPSK
  - 802.11g - CCK, BPSK, QPSK, 16-QAM, 64-QAM
  - 802.11a - BPSK, QPSK, 16-QAM, 64-QAM
  - 802.11n préversion 2.0
- Contrôle de l'accès aux médias : CSMA/CA avec ACK
- Bandes de fréquence prises en charge - 2,4 GHz :
  - 2,400 ~ 2,4835GHz (global), canaux variant en fonction du pays
- Bandes de fréquence prises en charge - 5 GHz :
  - 5,150 ~ 5,250 GHz (bande basse), en fonction du pays
  - 5,250 ~ 5,350 GHz (bande intermédiaire), en fonction du pays
  - 5,470 ~ 5,725 GHz (Europe), en fonction du pays
  - 5,725 ~ 5,825 GHz (bande haute), en fonction du pays

802.11b	802.11g	802.11a	802.11n
États-Unis, Canada 11	États-Unis, Canada 11	États-Unis, Canada 12	<< NEED >>
ETSI 13	ETSI 13	ETSI (jusqu'à 19)	<< NEED >>
Japon 14	Japon 13	Japon 4	<< NEED >>
Taiwan 11	Taiwan 11	Taiwan 7	<< NEED >>

- Débits de données :
  - 802.11b - 1, 2, 5,5, 11 Mbits/s par canal
  - 802.11g - 6, 9, 12, 18, 24, 36, 48 et 54 Mbits/s par canal
  - 802.11g - 6, 9, 12, 18, 24, 36, 48 et 54 Mbits/s par canal
  - 802.11n - Débit de données MCS0 – MCS15 (de 6,5 à 300 Mbits/s)

## Procédure de mise au rebut de l'équipement Dell

Vous trouverez les informations les plus récentes concernant la conformité environnementale et les produits Dell dans le document *Dell PowerConnect W-Series Safety, Environmental, and Regulatory Information* qui est inclus avec ce produit ou en consultant notre site Web à [www.dell.com](http://www.dell.com).

### Directive de l'Union Européenne sur les substances dangereuses (RoHS)

**RoHS**

Les produits Aruba sont également conformes à la directive européenne RoHS (Restriction of Hazardous Substances) 2002/95/EC. Cette directive limite l'utilisation de matériaux dangereux spécifiques dans la fabrication d'équipements électriques ou électroniques. De façon plus précise, les matériaux concernés par cette directive sont le plomb(ce qui inclut les soudures dans les circuits imprimés), le cadmium, le mercure, le chrome hexavalent et le brome. Certains produits Aruba sont sujets aux exemptions prévues dans la directive RoHS à l'annexe 7 (plomb des soudures de circuits imprimés). Les produits et les emballages portent la mention « RoHS » présentée à gauche conformément à cette directive.

### Remplacement de la batterie



**ATTENTION** : Les batteries incluses avec les produits Dell doivent être remplacées exclusivement par le personnel qualifié de Dell. Contactez Dell si vous devez remplacer des batteries. Ne tentez pas de remplacer la batterie. L'utilisation d'un type de batterie incorrect entraîne un risque d'explosion. Rejetez les batteries conformément aux instructions.

## Sécurité et conformité aux réglementations

Dell fournit un document en plusieurs langues contenant les restrictions propres aux différents pays, ainsi que des informations de sécurité et réglementaires pour tous les produits matériels Dell. Le document *Dell PowerConnect W-Series Safety, Environmental, and Regulatory Information* est inclus avec ce produit.



**ATTENTION** : Déclaration d'exposition à des radiations de fréquences radio : Cet équipement est conforme aux limites d'exposition aux fréquences radio édictées par la FCC. Cet équipement doit être installé et utilisé à une distance minimale de 35 cm par rapport à votre corps pour les fréquences de 2,4 et 5 GHz. Ce transmetteur ne doit pas être installé ou utilisé en conjonction avec une autre antenne ou un autre transmetteur. En cas d'exploitation dans la plage de fréquences de 5,15 à 5,25 GHz, ce périphérique est limité à l'utilisation en intérieur afin de réduire le risque d'interférences dangereuses avec des systèmes mobiles par satellite utilisant le même canal.

### Avertissement relatif aux équipements radio propre à la Corée

Radio Equipment for the radio data communication system

**\*\* Warning Notice \*\***

For a radio equipment using 2400~2483.5MHz or 5725~5825MHz, the following two expression should be displayed ;

1. Indicate following expression on the product where is easy to see : "This radio equipment can be crossed during operation."

당해 무선설비는 운용 중 전파혼신 가능성이 있음

당해 무선설비는 운용 중 전파혼신 가능성이 있음

2. The manufacturer and installer should fully inform the operator or users "This radio equipment cannot provide a service relevant to the human life safety, as it can be crossed" through the user manual etc.

당해 무선설비는 전파혼신 가능성이 있으므로 인명안전과 관련된 서비스는 할 수 없습니다.

당해 무선설비 전파혼신 가능성이 있으므로 인명안전과 관련된 서비스는 할 수 없습니다.

## Copyright

© 2010 Aruba Networks, Inc. AirWave®, Aruba Networks®, Aruba Mobility Management System®, Bluescanner, For Wireless That Works®, Mobile Edge Architecture®, People Move. Networks Must Follow®, RFprotect®, The All Wireless Workplace Is Now Open For Business, Green Island et The Mobile Edge Company® et autres marques déposées constituent des marques commerciales d'Aruba Networks, Inc. Dell™, le logo DELL™ et PowerConnect™ sont des marques commerciales de Dell Inc.

Tous droits réservés. Les spécifications données dans ce manuel sont sujettes à modifications sans préavis.

Conçu aux Etats-Unis. Toutes les autres marques figurant dans ce manuel appartiennent à leurs propriétés respectives.

## Code Open Source

Certains produits Aruba ont recours à du code logiciel Open Source développé par des tiers, ce qui inclut le code logiciel soumis aux licences GNU GPL (General Public License), GNU LGPL (Lesser General Public License) ou autres licences Open Source. Le code Open Source utilisé figure sur le site suivant :

[http://www.arubanetworks.com/open\\_source](http://www.arubanetworks.com/open_source)

## Mention légale

L'utilisation des plates-formes de communication et des logiciels d'Aruba Networks, Inc. par des individus ou des entreprises, pour mettre fin à l'exploitation de périphériques clients VPN d'autres fournisseurs manifeste une acceptation complète par cet individu ou cette entreprise des responsabilités associées à cette action et exonère totalement Aruba Networks, Inc. de toute procédure légale initiée par ces fournisseurs et relative au non respect du droit d'auteur.

## Garantie

Ce logiciel est protégé par la garantie standard d'Aruba, qui est d'un an pièces et main d'œuvre. Pour plus d'informations, consultez les TERMES ET CONDITIONS D'ASSISTANCE ET DE SERVICE D'ARUBACARE.

Toute modification du périphérique, telle que la peinture par exemple, annule la garantie.





# Punto de acceso Dell PowerConnect Serie W-AP120

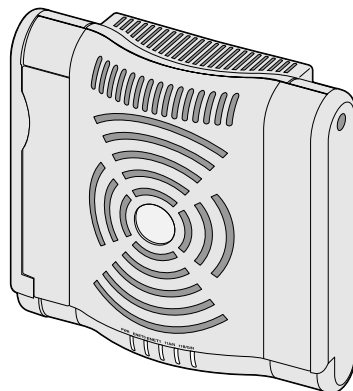
## Guía de instalación

La Serie Dell W-AP120 de puntos de acceso inalámbricos admiten la inminente norma IEEE 802.11n (actualmente, el fase 2.0 de su borrador) para redes WLAN de alto rendimiento. Estos puntos de acceso utilizan tecnología MIMO (entrada múltiple, salida múltiple) y otras técnicas de modo de alto rendimiento para ofrecer la mejor funcionalidad pre-802.11n 2,4 GHz y 5 GHz admitiendo al mismo tiempo los servicios inalámbricos 802.11a/b/g existentes. Los puntos de acceso de la Serie W-AP120 están disponibles en versiones con radios únicas o duales y con antenas integradas o interfaces RP-SMA compatibles con antenas extraíbles. Los puntos de acceso de la Serie W-AP120 sólo funcionan en combinación con un controlador Dell.

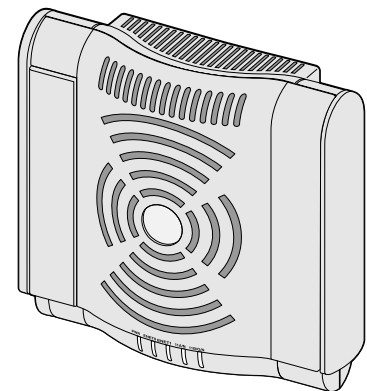
Los puntos de acceso de la Serie Dell W-AP120 proporcionan las siguientes funciones:

- Transceptor inalámbrico
- Funcionalidad de red independiente del protocolo
- Funcionamiento IEEE 802.11a/b/g o 802.11n como punto de acceso inalámbrico
- Funcionamiento IEEE 802.11a/b/g o 802.11n como monitor aéreo inalámbrico
- Compatibilidad con PoE IEEE 802.3af así como con pre-normas de alto rendimiento sobre Ethernet (PoE + / 802.3at)
- Configuración de la gestión central y actualizaciones mediante un controlador Dell
- Actualización de los modelos a/b/g de la Serie W-AP120 al cumplimiento de la norma 802.11n (borrador) mediante una licencia de controlador

**Figura 1** Puntos de acceso de la Serie W-AP120



W-AP120/W-AP124  
(3 interfaces RP-SMA para antenas extraíbles)



W-AP121/W-AP125  
(3 antenas de doble banda integradas)

## Contenido del paquete

- Punto de acceso Serie AP-120
- Guía de instalación (este documento)



**Nota:** póngase en contacto con la tienda si detecta alguna anomalía, nota que falta algo o descubre que hay piezas dañadas. Si es posible, guarde la caja y el material de protección original. Utilice este material para volver a empaquetar la unidad y enviarla a la tienda si es necesario.



---

**Nota:** los kits de montaje adicionales para su uso con los puntos de acceso de la Serie W-AP120 se venden por separado. Póngase en contacto con su representante de ventas de Dell para obtener más información.

---

## Antes de empezar

### Planificación de la red WLAN

Determine cuántos puntos de acceso Dell se necesitarán para la implantación de la red inalámbrica y dónde se instalarán. Puede llevar a cabo la planificación fácilmente si utiliza el software de estudio de sitios de planificación RF automatizado de Dell (se vende por separado). Este proceso se considera la planificación RF o de la red WLAN y debe llevarse a cabo durante la instalación y configuración maestra del controlador Dell.

En instalaciones típicas de Dell, los controladores se configuran y se instalan antes que los puntos de acceso.

Para obtener ayuda en la planificación de la red WLAN, consulte la *Puntos de acceso interiores: Guía de pre-implantación de planificación y estudio de sitios* y la *Guía del usuario y de instalación de la planificación RF*.

### Requisitos de red para la pre-instalación

Una vez finalizada la planificación de la red WLAN y determinada la ubicación de los productos correspondientes, los controladores Dell se deben instalar y debe llevarse a cabo la primera configuración antes de poder implantar los puntos de acceso Dell.

Para la configuración inicial de controlador, consulte la *Guía de inicio rápido de ArubaOS* para conocer la versión del software instalado en su controlador.

### Lista de comprobación de la pre-instalación

Antes de instalar su punto de acceso de la Serie W-AP120, debe disponer de lo siguiente:

- Para W-AP120/W-AP124: antenas externas, tal como se especifica en el plan de implantación de la red
- Cable UTP CAT5 de la longitud necesaria
- Una de las siguientes fuentes de alimentación:
  - Power over Ethernet (PoE) compatible con IEEE 802.3af
  - Admite todas las funcionalidades de W-AP120/W-AP121; admite menos funcionalidades para W-AP124/W-AP125
  - Salida de fuente IEEE Power over Ethernet + (PoE+) a 56 voltios y 350 mA
  - La fuente POE puede ser cualquier equipo de fuente de alimentación (PSE) controlador o dispositivo PSE medio
  - Kit de adaptador Dell AP CA-CC (se vende por separado)
- Controlador Dell incluido en la red:
  - Conectividad de red de capa 2/3 al punto de acceso
  - Uno de los siguientes servicios de red:
    - Aruba Discovery Protocol (ADP)
    - Servidor DNS con un registro "A"
    - Servidor DHCP con opciones específicas del proveedor

## Resumen del proceso de configuración



**Nota:** es importante comprobar los elementos incluidos en la [Lista de comprobación de la pre-instalación](#) antes de intentar configurar e instalar un punto de acceso de la Serie W-AP120.

La configuración correcta de un punto de acceso Serie AP-120 pasa por cinco tareas que deben realizarse en el orden siguiente:

1. Verificar la conectividad antes de la instalación.
2. Identificar la ubicación de instalación concreta de cada punto de acceso.
3. Instalar cada punto de acceso.
4. Verificar la conectividad tras la instalación.
5. Configurar cada punto de acceso.



**Nota:** Dell, en cumplimiento de los requisitos gubernamentales, ha diseñado los puntos de acceso Serie AP-120 para que sólo los administradores de las redes autorizadas puedan cambiar su configuración. Para obtener más información sobre la configuración de los puntos de acceso, consulte la *Guía de inicio rápido de ArubaOS* y la *Guía del usuario del sistema operativo Aruba*.



**Precaución:** los puntos de acceso son dispositivos de transmisión de radio y, como tales, están sujetos a las normativas de cada país. Los administradores de red responsables de la configuración y funcionamiento de los puntos de acceso deben asegurarse de que se cumple la legislación local sobre emisiones. En concreto, los puntos de acceso deben usar las asignaciones de canales adecuadas a la ubicación en la que se usarán.

## Verificación de la conectividad antes de la instalación

Antes de instalar los puntos de acceso en un entorno de red, asegúrese de que los puntos de acceso podrán localizar y conectarse al controlador cuando se encienda.

Específicamente, debe verificar lo siguiente:

- Cuando se conecta a la red, cada punto de acceso recibe una dirección IP asignada válida
- Los puntos de acceso pueden localizar el controlador

Consulte la *Guía de inicio rápido de ArubaOS* para obtener instrucciones sobre la ubicación y conexión al controlador.

## Identificación de ubicaciones específicas de instalación

Puede montar el punto de acceso Serie AP-120 en una pared o en el techo. Utilice el mapa de ubicación de puntos de acceso generado por la aplicación de software de planificación RF de Dell para determinar las mejores ubicaciones de instalación. Cada ubicación debe estar tan cerca del centro de la zona de cobertura deseada como sea posible y también debe evitar las obstrucciones y otras fuentes evidentes de interferencias. Estas fuentes de absorción/reflexión/interferencias de RF afectarán a la propagación de radiofrecuencias y debería tenerse en cuenta durante la fase de planificación, así como ajustarse en el plan RF.

## Fuentes de absorción/reflexión/interferencias de RF conocidas sin identificar

La identificación de las fuentes de absorción, reflexión e interferencias de RF en el campo durante la fase de instalación es crítica. Asegúrese de que estas fuentes se tienen en cuenta cuando coloque un punto de acceso en su ubicación definitiva.

Las fuentes de absorción de RF incluyen:

- Cemento/hormigón: el hormigón antiguo tiene niveles altos de disipación de agua, lo que hace que se seque y permite así la posible propagación de RF. El hormigón nuevo tiene altos niveles de concentración de agua en el mismo, por lo que se bloquean las señales RF.
- Elementos naturales: peceras, fuentes, estanques y árboles
- Ladrillos

Las fuentes de reflexión de RF incluyen:

- Objetos metálicos: paneles metálicos entre plantas, barras, puertas de salida de incendios, conductos de calefacción/aire acondicionado, ventanas de malla, persianas, vallas de cadena (en función del tamaño de apertura), frigoríficos, racks, estantes y archivadores
- No coloque un punto de acceso entre dos conductos de calefacción/aire acondicionado. Asegúrese de que los puntos de acceso se colocan debajo de los conductos para evitar interferencias de RF.

Las fuentes de interferencias de RF incluyen:

- Hornos microondas y otros dispositivos a frecuencias de 2,4 o 5 GHz (como teléfonos inalámbricos)
- Salas de comedor y centros de llamadas con teléfonos con auricular

## Instalación del punto de acceso



---

**Nota:** cualquier reparación en los productos Dell debe ser llevada a cabo siempre por personal técnico.

---

### Uso de las ranuras de montaje en pared integradas

Las ranuras con forma de cerradura situadas en la parte posterior del punto de acceso se pueden usar para colocar el dispositivo boca arriba en una pared o estantería interior. Cuando elija la ubicación de montaje, deje espacio adicional a la derecha de la unidad para los cables.



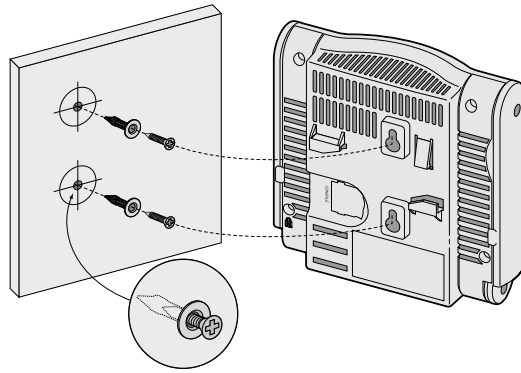
---

**Nota:** Para ver las dimensiones del producto, consulte [Especificaciones del producto](#) en esta guía. Deje 5 cm de espacio adicional a la derecha de la unidad instalada para los cables; asegúrese de dejar espacio suficiente para poder mover la antena después.

---

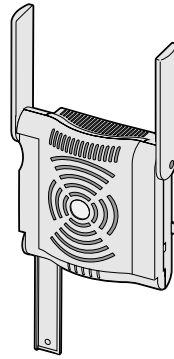
1. En la ubicación de montaje, ponga dos tornillos en la pared o en la estantería separados 4,7 cm. Si va a colocar el dispositivo en una pared, Dell recomienda utilizar los anclajes adecuados (no incluidos).
2. Alinee las ranuras de montaje en la parte posterior del punto de acceso con los tornillos y deslice la unidad para encajarla en su sitio (consulte la [Figura 2](#)).

**Figura 2** Instalación del punto de acceso de la Serie W-AP120 en una pared



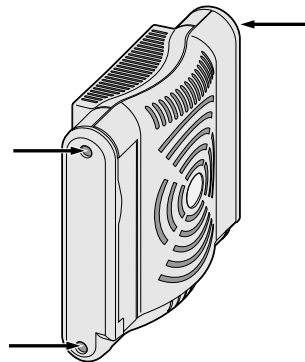
3. En W-AP121 o W-AP125, oriente las antenas. Para obtener el mejor rendimiento, mueva las antenas para que queden en vertical, a poder ser en el mismo plano, paralelas a la pared (consulte la [Figura 3](#)).

**Figura 3** Orientación de antena en W-AP121/W-AP125 montado en pared



En W-AP120 o W-AP124, instale las antenas externas siguiendo las instrucciones del fabricante y conecte las antenas a las interfaces correspondientes en el punto de acceso (consulte la [Figura 4](#)).

**Figura 4** Interfaces de antena en W-AP120/W-AP124



### Uso de las ranuras de raíl para montaje en techo integradas

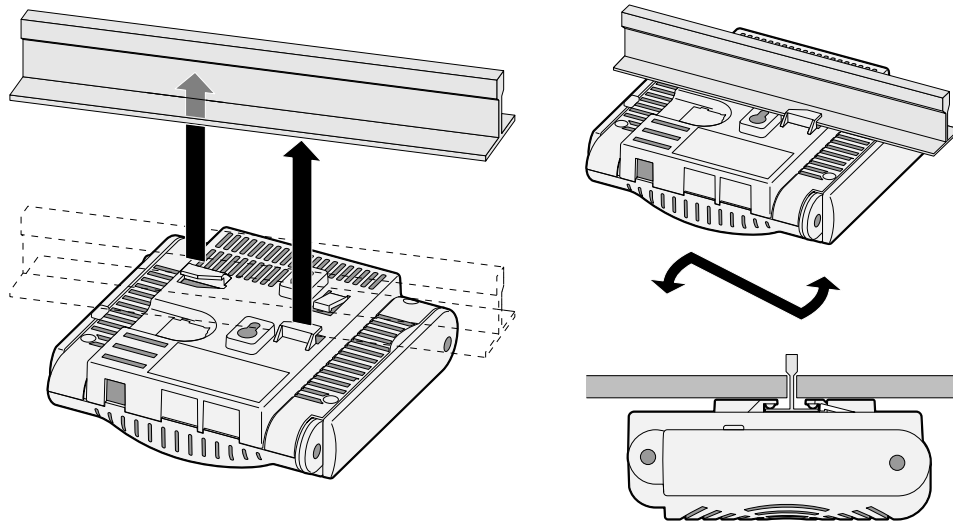
Las ranuras de raíl para montaje en techo del punto de acceso se encuentran en la parte trasera y se pueden usar para fijar el dispositivo directamente en un raíl de techo estándar de 15/16 pulg. de ancho.



**Precaución:** asegúrese de que el punto de acceso encaja con seguridad en el raíl para montaje en techo. Si no lo hace, la instalación podría fallar y el equipo podría caer al suelo o sobre otras personas.

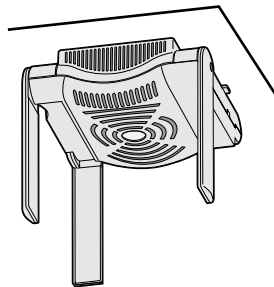
1. Tire de los cables necesarios y páselos por el agujero del techo junto a la posición que ocupará el punto de acceso.
2. Si es necesario, conecte el cable de consola en el puerto de la consola situado en la parte posterior del punto de acceso.
3. Sostenga el punto de acceso junto al raíl del techo con las ranuras de montaje a un ángulo aproximado de 30 grados con el raíl (consulte la [Figura 5](#)). Asegúrese de que el cable sobrante esté por encima del techo.

**Figura 5** Orientación de las ranuras de raíl para montaje en techo



4. Presione hacia el raíl del techo, gire el punto de acceso hacia la derecha hasta que encaje en su sitio en el raíl del techo.
5. En W-AP121 o W-AP125, oriente las antenas. Para obtener los mejores resultados, gire las antenas de modo que queden verticales (perpendiculares al cuerpo del punto de acceso) (consulte la [Figura 6](#)).

**Figura 6** Orientación de antena en W-AP121/W-AP125 montado en techo



En W-AP120 o W-AP124, instale las antenas externas siguiendo las instrucciones del fabricante y conecte las antenas a las interfaces correspondientes en el punto de acceso (consulte la [Figura 4](#)).

## Cables necesarios para la conexión

Instale los cables según lo indicado en la legislación local y nacional.

## Puertos Ethernet

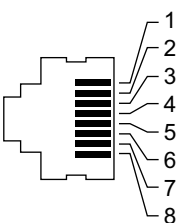
Los puertos Ethernet RJ45 (ENET0 y ENET1) son compatibles con conexiones MDI/MDX con autosensor 100/1000Base-T. Utilice estos puertos para conectar el punto de acceso a un segmento de LAN Ethernet de par trenzado o directamente a un controlador Dell. Utilice un cable UTP de categoría 5 con 4 u 8 conductores de hasta 100 m de longitud.



**Nota:** los puntos de acceso de la Serie Dell W-AP120 están pensados únicamente para su instalación en un Entorno A, tal como se define en la norma IEEE 802.3.af, Power over Ethernet. Todo el equipo interconectado debe estar contenido en el mismo edificio, incluidas las conexiones LAN asociadas a los equipos interconectados.

Los puertos Ethernet 100/1000 Mbps se encuentran en la parte inferior del punto de acceso. Estos puertos tienen conectores hembra RJ-45 con los pines tal como se indica en la [Tabla 1](#).

**Tabla 1** Conector para puertos Ethernet ENET0 y ENET1

Conector	Pin	Nombre de señal	Conexión GE	Conexión FE	PoE
	1	BI_DA+	Par bidireccional A+	RX+	POE negativo
	2	BI_DA-	Par bidireccional A-	RX-	POE negativo
	3	BI_DB+	Par bidireccional B+	TX+	POE positivo
	4	BI_DC+	Par bidireccional C+	Par libre	POE positivo
	5	BI_DC-	Par bidireccional C-	Par libre	POE positivo
	6	BI_DB-	Par bidireccional B-	TX-	POE positivo
	7	BI_DD+	Par bidireccional D+	Par libre	POE negativo
	8	BI_DB-	Par bidireccional D-	Par libre	POE negativo

### Puerto serie de consola

El puerto serie de consola permite conectar el punto de acceso a un terminal serie o a un portátil para gestionarlo directamente en modo local. Este puerto es un conector hembra RJ-45 con los pines descritos en la [Tabla 2](#).

Puede conectar este puerto de los modos siguientes:

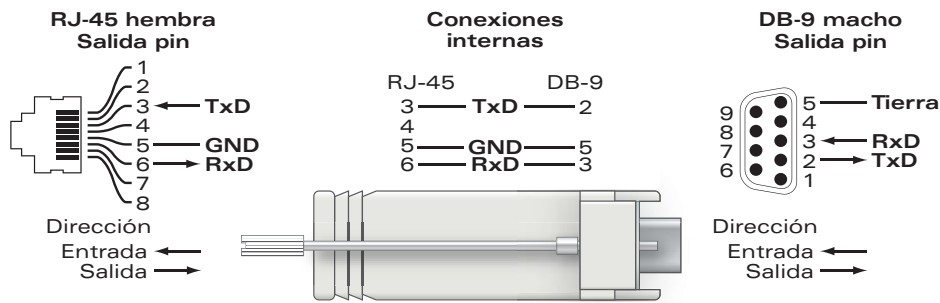
- Conectarlo directamente a un terminal o servidor de terminales con un cable Ethernet.
- Usar un adaptador modular para convertir el conector RJ-45 (hembra) del punto de acceso en un conector DB-9 (macho), y conectar después el adaptador a un portátil con un cable RS-232. Consulte la [Figura 7](#) para conocer los detalles del conector del adaptador.

**Tabla 2** Conector para puerto serie de consola

Conector	Pin	Nombre de señal	Función
	3	TXD	Transmisión
	4	GND	Tierra
	5	GND	Tierra
	6	RXD	Recepción

Los pines no mostrados no están conectados.

**Figura 7** Conversión de RJ-45 (hembra) a adaptador modular DB-9 (macho)



### Conexión de energía

El punto de acceso de la Serie W-AP120 tiene una sola toma de energía de 5 V CC para dar alimentación a través de un adaptador de energía eléctrica CA a CC.

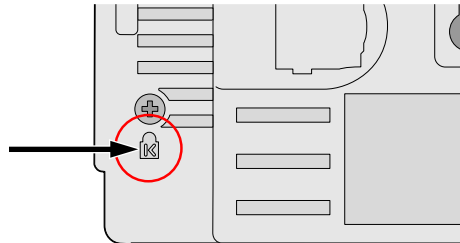


**Nota:** si hay fuente POE y CC disponible, el punto de acceso usará POE, incluso si no hay voltaje POE suficiente disponible para alimentar al punto de acceso.

### Conexión de un cable de seguridad

Para proporcionar seguridad adicional para el W-AP121 o el W-AP125, puede conectar un cable de seguridad en la parte posterior de la unidad (consulte la [Figura 8](#)).

**Figura 8** Conexión del bloqueo de seguridad



### Verificación de la conectividad tras la instalación

Los LED integrados en el punto de acceso se pueden utilizar llegados a este punto para verificar si el punto de acceso está recibiendo alimentación y si se ha inicializado correctamente (consulte la [Tabla 3](#)). Consulte la *Guía de inicio rápido de ArubaOS* para obtener más información sobre la verificación de la conectividad tras la instalación.

LED	Color/Estado	Significado
PWR	Verde fijo	Encendido, dispositivo preparado
	Verde parpadeando	Sistema inicializando
	Rojo fijo	Error de inicialización del sistema, solicite asistencia



LED	Color/Estado	Significado
ENET 0 (100/1000 Mbps)	Verde/Naranja apagado	Ningún enlace
	Verde encendido	Enlace de 1000 Mbps
	Naranja encendido	Enlace de 100 Mbps
	Verde/Naranja parpadeando	Actividad de datos
ENET 1 (100/1000 Mbps)	Verde/Naranja apagado	Ningún enlace
	Verde encendido	Enlace de 1000 Mbps
	Naranja encendido	Enlace de 100 Mbps
	Verde/Naranja parpadeando	Actividad de datos
11A/N	Naranja	Enlace inalámbrico 11a heredado
	Verde	Enlace inalámbrico 11n en la banda de 5 GHz
11B/G/N	Naranja	Enlace inalámbrico 11b o 11g heredado
	Verde	Enlace inalámbrico 11n en la banda de 2,4 GHz

## Configuración de la Serie W-AP120

### Inserción/Reinserción de datos en el punto de acceso

Los parámetros insertados son exclusivos de cada punto de acceso. Estos parámetros locales de los puntos de acceso se configuran inicialmente en el controlador, luego se introducen en el punto de acceso y se almacenan ahí mismo. Dell recomienda que la inserción de parámetros se realice exclusivamente desde la interfaz web de ArubaOS. Consulte el *Manual del usuario de ArubaOS* para obtener información detallada.

### Configuración de puntos de acceso

Los parámetros de configuración dependen de la red o del controlador y se configuran y almacenan en el controlador. Los parámetros de configuración de red se introducen en los puntos de acceso pero se conserva una copia en el controlador.

Los parámetros de configuración se pueden editar desde la interfaz web de ArubaOS, ArubaOS CLI o Aruba MMS. Consulte las guías correspondientes para obtener más información: el *Manual del usuario de ArubaOS*.

## Especificaciones del producto

### Mecánicas

- Dimensiones (antena replegada) (AlxAnxPr):
  - 4,9 pulg. x 5, 13 pulg. x 2 pulg.
  - 12,4 cm x 13 cm x 5,1 cm
- Peso: 0,42 kg
- Dimensiones de envío:
  - 9,5 pulg. x 7,25 pulg. x 4,5 pulg.
  - 24,1 cm x 18,4 cm x 11,4 cm

- Temperatura:
  - Funcionamiento: de 0 °C a 50 °C
  - Almacenamiento: de -10 °C a 70 °C



---

**Nota:** en condiciones normales de funcionamiento, la temperatura de la base de la Serie W-AP120 puede alcanzar los 80 °C. Está dentro del rango esperado de temperaturas de funcionamiento.

---

- Humedad relativa: del 5% al 95% sin condensación
- Altitud: 8.000 pies a 28 °C
- Montaje: en pared, techo o escritorio
- Antenas:
  - 3 elementos de antena de banda dual articulada integrada (W-AP121, W-AP125)
  - 3 interfaces RP-SMA para antenas externas (W-AP120, W-AP124)
- Indicadores visuales de estado (LED): consulte la [Tabla 3](#)

## Eléctricas

- Ethernet:
  - 2 interfaces 100/1000 Base-T Ethernet RJ-45 con autosensor
  - MDI/MDX
  - IEEE 802.3 (10Base-T), IEEE 802.3u (100Base-T), IEEE 802.3ab (1000Base-T)
  - Power over Ethernet (compatible con IEEE 802.3af), 48 V CC/350 mA (consulte la [Tabla 1](#) para la configuración de los pines)
- Alimentación:
  - Interfaz de corriente de 5 V CC con alimentación a través de adaptador eléctrico CA-CC



---

**Nota:** si se utiliza un adaptador más antiguo que el proporcionado por Dell en Estados Unidos o Canadá, se aplicará la lista cULus (NRTL), con una salida nominal de 5 V CC, 4 A mínimos, con marca "LPS" o "Class 2" y adecuada para conectarla a un enchufe estándar norteamericano.

---

- Compatibilidad POE en puertos Ethernet:
  - Dispositivos de fuente POE compatibles con 802.3af
  - POE+ (56 V a 350 mA)

## LAN inalámbrica

- Estándares de red: IEEE 802.11b, IEEE 802.11g, IEEE 802.11a y IEEE 802.11n (borrador)
- Tipo de antena:
  - Antena de alta ganancia omnidireccional 802.11a/b/g/n integrada
  - Antena de alta ganancia omnidireccional 802.11a/b/g/n extraíble
- Ganancia de antena (antenas integradas):
  - 2,4 – 2,5 GHz/3,2 dBi (máx.)
  - 5,180 – 5,825 GHz/5,2 dBi (máx.)
- Tecnología de radio:
  - Multiplexado con división ortogonal de frecuencias (OFDM)
  - Espectro expandido de secuencias directas (DSSS)

- Tipo de modulación de radio:
  - 802.11b - CCK, BPSK, QPSK
  - 802.11g - CCK, BPSK, QPSK, 16-QAM, 64-QAM
  - 802.11a - BPSK, QPSK, 16-QAM, 64-QAM
  - 802.11n borrador 2.0
- Control de acceso a medios: CSMA/CA con ACK
- Bandas de frecuencia de 2,4 GHz admitidas:
  - 2,400 ~ 2,4835 GHz (Global), canales específicos de cada país
- Bandas de frecuencia de 5 GHz admitidas:
  - 5,150 ~ 5,250 GHz (bandas bajas), específicas de cada país
  - 5,250 ~ 5,350 GHz (bandas medias), específicas de cada país
  - 5,470 ~ 5,725 GHz (Europa), específicas de cada país
  - 5,725 ~ 5,825 GHz (bandas altas), específicas de cada país

802.11b	802.11g	802.11a	802.11n
Estados Unidos, Canadá 11	Estados Unidos, Canadá 11	Estados Unidos, Canadá 12	<< NECESARIO >>
ETSI 13	ETSI 13	ETSI (hasta 19)	<< NECESARIO >>
Japón 14	Japón 13	Japón 4	<< NECESARIO >>
Taiwán 11	Taiwán 11	Taiwán 7	<< NECESARIO >>

- Velocidades de datos:
  - 802.11b - 1, 2, 5,5, 11 Mbps por canal
  - 802.11g - 6, 9, 12, 18, 24, 36, 48 y 54 Mbps por canal
  - 802.11a - 6, 9, 12, 18, 24, 36, 48 y 54 Mbps por canal
  - 802.11n - Velocidad de datos MCS0 – MCS15 (de 6,5 Mbps a 300 Mbps)

## Eliminación adecuada del equipo Dell

Para obtener la información de última hora sobre el cumplimiento de las normativas medioambientales globales más recientes y los productos Dell, consulte el documento *Información normativa, medioambiental y de seguridad sobre la Serie W de Dell PowerConnect* incluido con este producto o en nuestro sitio web [www.dell.com](http://www.dell.com).

## RoHS de la Unión Europea



Los productos de Aruba también cumplen la directiva de restricción de sustancias peligrosas de la UE 2002/95/EC (RoHS). La RoHS limita el uso de determinados materiales peligrosos en la fabricación de equipos electrónicos y eléctricos. En concreto, los materiales restringidos en la directiva RoHS son el plomo (incluido el plomo soldado que se emplea en el ensamblaje de circuitos impresos), el cadmio, el mercurio el cromo hexavalente y el bromino. Algunos productos de Aruba están sujetos a exenciones incluidas en el Anexo 7 de la directiva RoHS (el plomo soldado empleado en el ensamblaje de circuitos impresos). Los productos y el empaquetado se marcarán con la etiqueta “RoHS” a la izquierda indicando el cumplimiento de esta directiva.

## Cambio de batería



**Precaución:** la batería incluida con los productos Dell debe ser reemplazada únicamente por personal de servicio cualificado de Dell. Póngase en contacto con Dell para cambiar la batería. No intente cambiar la batería. Se expone al riesgo de explosión si instala un tipo de batería incorrecto. Deshágase de las baterías según lo indicado en las instrucciones.

## Cumplimiento con la normativa y seguridad

Dell proporciona documentación en varios idiomas relativa a las restricciones concretas de cada país, así como información adicional de seguridad y normativas para todos los productos de hardware de Dell. El documento *Información normativa, medioambiental y de seguridad sobre la Serie W de Dell PowerConnect* se incluye con este producto.



**Precaución:** Declaración sobre exposición a radiación de radiofrecuencia: este equipo cumple los límites de exposición a radiación de RF de la FCC. Este equipo debe instalarse y usarse con una distancia máxima de 35 cm entre el radiador y el cuerpo para operaciones a 2,4 GHz y 5 GHz. El transmisor no debe estar colocado o en uso junto con cualquier otra antena o transmisor. Cuando se utiliza en el rango de frecuencias de 5,15 a 5,25 GHz, el dispositivo queda limitado a su uso en interiores para reducir las interferencias potencialmente dañinas con sistemas de satélites móviles con canales.

## Aviso de advertencia de equipos de radio en Corea Radio Equipment for the radio data communication system

### \*\* Warning Notice \*\*

For a radio equipment using 2400~2483.5MHz or 5725~5825MHz, the following two expression should be displayed ;

1. Indicate following expression on the product where is easy to see : "This radio equipment can be crossed during operation."

당해 무선설비는 운용 중 전파혼신 가능성이 있음

당해 무선설비는 운용 중 전파혼신 가능성이 있음

2. The manufacturer and installer should fully inform the operator or users "This radio equipment cannot provide a service relevant to the human life safety, as it can be crossed" through the user manual etc.

당해 무선설비는 전파혼신 가능성이 있으므로 인명안전과 관련된 서비스는 할 수 없습니다.

당해 무선설비 전파혼신 가능성이 있으므로 인명안전과 관련된 서비스는 할 수 없습니다.

### Copyright

© 2010 Aruba Networks, Inc. AirWave®, Aruba Networks®, Aruba Mobility Management System®, Bluescanner, For Wireless That Works®, Mobile Edge Architecture®, People Move. Networks Must Follow®, RFprotect®, The All Wireless Workplace Is Now Open For Business, Green Island, The Mobile Edge Company® y otras marcas registradas son marcas comerciales de Aruba Networks, Inc. Dell™, el logotipo DELL™ y PowerConnect™ son marcas comerciales de Dell Inc.

Todos los derechos reservados. Las especificaciones incluidas en este manual pueden cambiar sin previo aviso.

Creado en Estados Unidos. El resto de marcas comerciales que aparecen en este manual pertenecen a sus respectivas empresas.

### Código Open Source

Algunos productos de Aruba incluyen software Open Source desarrollado por otros fabricantes, incluido código de software sujeto a las licencias GNU GPL, GNU LGPL o a otras licencias Open Source. El código Open Source utilizado se puede encontrar en este sitio:

[http://www.arubanetworks.com/open\\_source](http://www.arubanetworks.com/open_source)

**Aviso legal**

El uso de las plataformas de conexión y de software de Aruba Networks, Inc., por toda persona o empresa, para terminar otros dispositivos de cliente VPN\q de otros proveedores constituye la total aceptación de responsabilidad por parte del individuo o empresa por la acción realizada y excluye por completo a Aruba Networks, Inc. del coste de cualquier acción legal emprendida en contra relacionada con la violación del copyright en representación de dichos proveedores.

**Garantía**

Este producto de hardware está protegido por la garantía estándar de Aruba: un año para piezas y mano de obra. Para obtener más información, consulte LOS TÉRMINOS Y CONDICIONES DE SERVICIO Y SOPORTE.

Si modifica el dispositivo (por ejemplo, si lo pinta), anulará la garantía.



# Ponto de Acesso Dell PowerConnect Série W-AP120

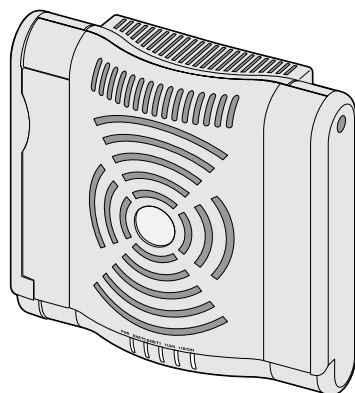
## Guia de instalação

Os pontos de acesso da série Dell W-AP120 oferecem suporte ao padrão de alta performance para WLAN 802.11n, em fase final de execução (atualmente no draft 2.0). Esses pontos de acesso oferecem funcionalidade pré-802.11n a 2,4 GHz e 5GHz e suporte simultâneo a serviços wireless já existente no padrão 802.11 a/b/g, utilizam tecnologia MIMO (Multiple In, Multiple Out) e outras técnicas de alto desempenho de transmissão. A série de pontos de acesso W-AP120 está disponível em versões com um único rádio ou rádio dual, com antenas integradas ou interfaces RP-SMA para utilização de antenas destacáveis. Os pontos de acesso W-AP120 funcionam somente em conjunto com um Controlador Dell.

Os pontos de acesso da série Dell W-AP120 oferecem os seguintes recursos:

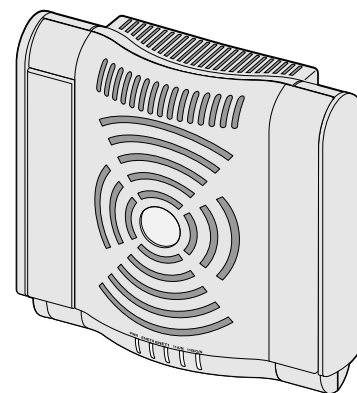
- Transceptor sem fio
- Funcionalidade de comunicação em rede independente de protocolo
- Funcionamento sob o padrão IEEE 802.11a/b/g ou 802.11n como ponto de acesso sem fio
- Funcionamento sob o padrão IEEE 802.11a/b/g ou 802.11n como monitor de ar sem fio
- Compatibilidade com o padrão IEEE 802.3af PoE bem como pré-padrões de alta potência PoE (PoE + / 802.3at)
- Gerenciamento, configuração e atualizações de forma centralizada por meio de um Controlador Dell
- Atualização dos modelos a/b/g da série W-AP120 para entrar em conformidade com o padrão 802.11n (draft) através de uma licença de Controlador

**Figura 1** Pontos de acesso série W-AP120



W-AP120/W-AP124

(3 interfaces RP-SMA para antenas destacáveis)



W-AP121/W-AP125

(3 antenas de banda dual integradas)

## Conteúdo da embalagem

- Ponto de acesso Série AP-120
- Guia de instalação (este documento)



**Nota:** Informe seu fornecedor caso alguma peça esteja incorreta, faltando ou danificada. Se possível, mantenha a caixa, incluindo os materiais para embalagem originais. Use esses materiais para re-embalar e devolver o produto ao fornecedor, se necessário.



---

**Nota:** Kits de montagem adicionais para utilizar com os pontos de acesso da série W-AP120 são vendidos separadamente. Entre em contato com um representante de vendas da Dell para saber os detalhes.

---

## Antes de começar

### Planejamento da rede WLAN

Determine quantos pontos de acesso Dell serão necessários para a implantação da sua rede sem fio e quando serão instalados. Esse planejamento pode ser feito de maneira simples utilizando um software de planejamento de RF (RF Plan) (site survey) da Dell disponível separadamente. Esse processo é considerado um planejamento de WLAN ou RF e deve ser concluído durante a instalação e configuração do Controlador Dell principal. Em instalações típicas da Dell, os controladores são configurados e instalados antes dos pontos de acesso.

Para obter assistência no planejamento da rede WLAN, consulte os documentos *Indoor Access Points: Site Survey and Planning Pre-Deployment Guide* e *RF Plan Installation and User Guide*.

### Requisitos de pré-instalação da rede

Depois que o planejamento da rede WLAN estiver concluído e os produtos apropriados, bem como o respectivo posicionamento, tiverem sido determinados, o(s) Controlador(es) da Dell deve(m) ser instalado(s) e configurado(s) antes da implantação dos pontos de acesso Dell.

Para fazer a configuração inicial do Controlador, consulte o *ArubaOS Quick Start Guide* referente à versão do software instalado em seu Controlador.

### Lista de verificação pré-instalação

Antes de instalar o ponto de acesso da série W-AP120, certifique-se de que tenha os seguintes itens:

- Para o W-AP120/W-AP124: antenas externas conforme especificado no planejamento de implantação da rede
- Cabo UTP CAT5 no comprimento necessário
- Uma das seguintes fontes de alimentação
  - Fonte PoE (Power over Ethernet) em conformidade com o padrão IEEE 802.3af
  - Oferece suporte total à funcionalidade do W-AP120/W-AP121; oferece suporte reduzido à funcionalidade W-AP124/W-AP125
  - Saída da fonte PoE+ (Power Over Ethernet +) IEEE de 56 volts a 350 mA
  - A fonte PoE pode ser qualquer Controlador PSE (equipamento fonte de alimentação) ou dispositivo PSE midspan
  - Kit de adaptadores CA-CC (AC/DC) para pontos de acesso da Dell (vendido separadamente)
- Controlador Dell conectado à rede:
  - Conectividade de rede em camada 2/3 ao seu ponto de acesso
  - Um dos seguintes serviços de rede:
    - Aruba Discovery Protocol (ADP)
    - Servidor DNS com registro "A"
    - Servidor DHCP com opções específicas do fornecedor



## Resumo do processo de configuração



**Nota:** É importante verificar os itens listados em [Lista de verificação pré-instalação](#) antes de tentar instalar e configurar um ponto de acesso da série W-AP120.

A configuração bem-sucedida de um ponto de acesso Série AP-120 consiste em cinco tarefas, que devem ser executadas na seguinte ordem:

1. Verificar a conectividade pré-instalação.
2. Identificar o local específico da instalação de cada ponto de acesso.
3. Instalar cada ponto de acesso.
4. Verificar a conectividade pós-instalação.
5. Configurar cada ponto de acesso.



**Nota:** A Dell, em conformidade com as normas governamentais, desenvolveu os pontos de acesso Série AP-120 para que somente administradores de rede autorizados possam alterar as configurações. Para obter mais informações sobre a configuração de pontos de acesso, consulte os documentos *ArubaOS Quick Start Guide* e *Aruba OS User Guide*.



**Cuidado:** Pontos de acesso são dispositivos de transmissão de rádio e, como tal, estão sujeitos às normas governamentais. Os administradores de rede responsáveis pela configuração e operação dos pontos de acesso devem obedecer às normas de difusão locais. Especificamente, os pontos de acesso devem utilizar as atribuições de canais apropriadas para o local em que o ponto de acesso será utilizado.

## Verificação da conectividade pré-instalação

Antes de instalar os pontos de acesso em um ambiente de rede, certifique-se de que os pontos de acesso serão capazes de localizar e conectar-se ao Controlador quando forem ligados.

Especificamente, é necessário verificar as seguintes condições:

- Quando conectados à rede, cada ponto de acesso deve receber um endereço IP válido.
- Os pontos de acesso são capazes de localizar o Controlador

Consulte o documento *ArubaOS Quick Start Guide* para obter instruções sobre a localização e conexão do Controlador.

## Identificação de locais específicos para instalação

É possível montar o ponto de acesso Série AP-120 na parede ou no teto. Use o mapa de posicionamento dos pontos de acesso gerado pelo software de planejamento de RF da Dell para determinar os locais adequados para a instalação. Cada local deve estar o mais próximo possível do centro da área de cobertura desejada e deve estar livre de obstruções ou fontes óbvias de interferência. Esses absorvedores/refletores/fontes de interferência de RF afetarão a propagação de RF e devem ser levados em consideração durante a fase de planejamento e ajustados ao planejamento de RF.

### Absorvedores/refletores/fontes de interferência de RF conhecidos não identificados

A identificação de absorvedores, refletores e fontes de interferência de RF conhecidos no campo durante a fase de instalação é extremamente importante. Certifique-se de que essas fontes sejam levadas em consideração quando instalar o ponto de acesso em seu local fixo.

Os absorvedores de RF incluem:

- Cimento/concreto: o concreto antigo apresenta níveis altos de dissipação de água, o que seca o concreto permitindo a propagação potencial de RF. O concreto novo apresenta níveis altos de concentração de água, bloqueando os sinais de RF.
- Itens naturais: aquários, bebedouros, lagos e árvores.
- Tijolo.

Os refletores de RF incluem:

- Objetos metálicos: chapas metálicas entre pisos, barras, portas contra incêndio, dutos de sistemas de ar condicionado/aquecimento, janelas de malha, persianas, cercas com elos (dependendo do tamanho da abertura), refrigeradores, racks, prateleiras e armários de arquivamento.
- Não coloque um ponto de acesso entre dois dutos de ar condicionado/aquecimento. Certifique-se de que os pontos de acesso sejam colocados abaixo dos dutos para evitar interferências de RF.

As fontes de interferência de RF incluem:

- Fornos de micro-ondas e outros objetos de 2,5 ou 5 GHz (como telefones sem fio).
- Refeitórios e call centers com fones sem fio.

## Instalação do ponto de acesso



**Nota:** Os reparos de todos os produtos da Dell devem ser efetuados somente por profissionais de assistência técnica treinados.

### Usando os slots integrados para montagem na parede

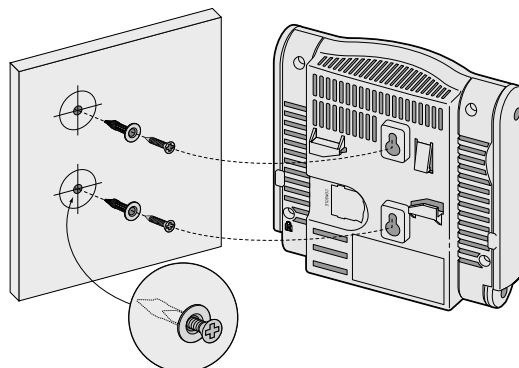
Os slots em formato de buraco de fechadura localizados na parte traseira do ponto de acesso podem ser utilizados para fixar o dispositivo na posição vertical em uma parede interna. Quando você escolher o local da montagem, deixe um espaço adicional à direita do produto para a instalação dos cabos.



**Nota:** Para saber as dimensões do produto, consulte [Especificações do produto](#) neste guia. Deixe 5 cm de espaço adicional à direita do produto instalado para os cabos e certifique-se de que haja espaço suficiente para a articulação da antena.

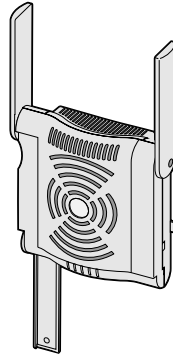
1. No local de montagem, instale dois parafusos na parede ou prateleira, com uma distância de 4,7 cm entre eles. Se estiver fixando o dispositivo a uma parede de gesso, a Dell recomenda utilizar buchas de parede apropriadas (não fornecidas).
2. Alinhe os slots de montagem da parte traseira do ponto de acesso com os parafusos e deslize o produto para encaixá-lo no lugar (veja a [Figura 2](#)).

**Figura 2** Instalação do ponto de acesso da série W-AP120 na parede



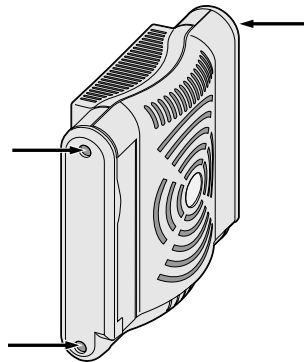
3. No W-AP121 ou W-AP125, oriente as antenas. Para obter o melhor desempenho, gire as antenas de forma a ficarem posicionadas na vertical, de preferência no mesmo plano, paralelo à parede (veja a [Figura 3](#)).

**Figura 3** *Orientação da antena no W-AP121/W-AP125 montado na parede*



No W-AP120 ou W-AP124, instale as antenas externas de acordo com as instruções do fabricante e conecte-as às interfaces de antena do ponto de acesso (veja a [Figura 4](#)).

**Figura 4** *Interfaces de antena do W-AP120/W-AP124*



### Usando os slots com trilhos integrados para montagem no teto

Os slots com trilhos de encaixe para montagem no teto localizados na parte traseira do ponto de acesso podem ser utilizados para fixar o dispositivo diretamente a um trilho para montagem em teto padrão de 15/16" de forma segura.



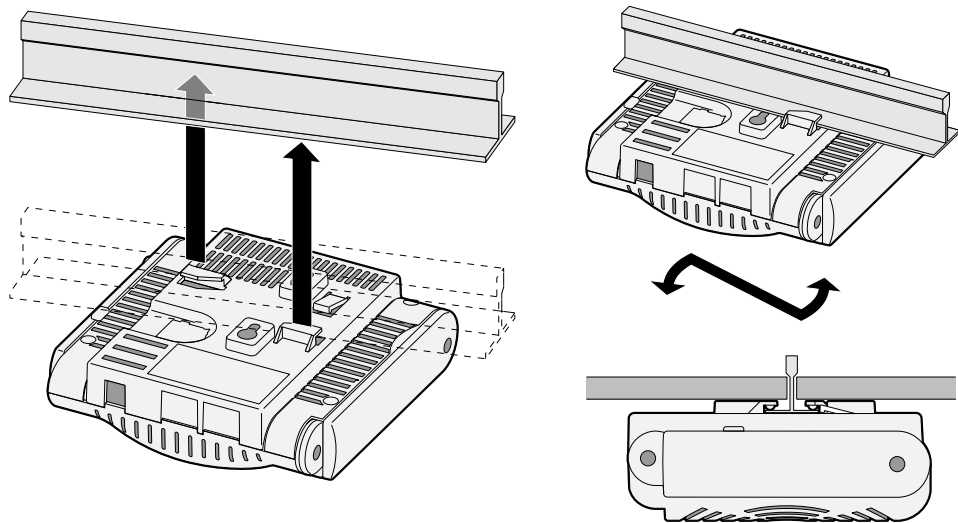
---

**Cuidado:** Certifique-se de que o ponto de acesso caiba seguramente no trilho para montagem no teto quando for pendurar o dispositivo no teto, pois uma instalação mal feita pode resultar na queda do aparelho sobre pessoas ou equipamentos.

---

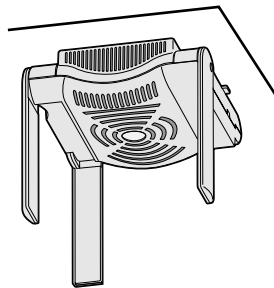
1. Passe os cabos necessários por um orifício previamente feito no teto, próximo ao local de instalação do ponto de acesso.
2. Se necessário, conecte o cabo do console à porta correspondente localizada na parte traseira do ponto de acesso.
3. Fixe o ponto de acesso ao lado trilho para montagem no teto com os slots em questão posicionando-o a um ângulo aproximadamente de 30 graus em relação ao trilhos (veja a [Figura 5](#)). Certifique-se de qualquer folga do cabo fique acima do trilho do telhado.

**Figura 5** Orientação dos slots com trilhos para montagem no teto



4. Empurrando em direção ao trilho do teto, gire o ponto de acesso no sentido horário até que o dispositivo encaixe no trilho.
5. No W-AP121 ou W-AP125, oriente as antenas. Para obter os melhores resultados, gire as antenas de forma a posicioná-las na vertical (perpendicular ao corpo do ponto de acesso) (veja a [Figura 6](#)).

**Figura 6** Orientação da antena no W-AP121/W-AP125 montado no teto



No W-AP120 ou W-AP124, instale as antenas externas de acordo com as instruções do fabricante e conecte-as às interfaces de antena do ponto de acesso (veja a [Figura 4](#)).

## Conexão dos cabos necessários

Instale os cabos de acordo com todas as normas e práticas locais e nacionais.

### Portas Ethernet

As portas Ethernet RJ45 (ENET0 e ENET1) suportam conexões MDI/MDX 100/1000Base-T auto-sensing. Use essas portas para conectar o ponto de acesso a um segmento LAN Ethernet de par trançado ou diretamente a um Controlador Dell. Use um cabo UTP categoria 5 de até 100 m de comprimento com 4 ou 8 condutores.

---

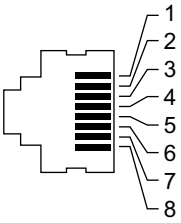
**Nota:** Os pontos de acesso da série Dell W-AP120 são destinados somente a instalações no ambiente tipo A conforme definido pelo padrão IEEE 802.3.af, para PoE (Power over Ethernet). Todos os equipamentos interconectados devem estar instalados no mesmo local, incluindo as conexões LAN associadas a esses equipamentos.

---



As portas Ethernet de 100/1000 Mbps estão localizadas na parte inferior do ponto de acesso. Essas portas possuem conectores RJ-45 fêmea com o esquema de pinos detalhado na [Tabela 1](#).

**Tabela 1** Conector para portas Ethernet ENET0 e ENET1

Conector	Pino	Nome do sinal	Conexão GE	Conexão FE	PoE
	1	BI_DA+	Par bidirecional A+	RX+	PoE negativo
	2	BI_DA-	Par bidirecional A-	RX-	PoE negativo
	3	BI_DB+	Par bidirecional B+	TX+	PoE positivo
	4	BI_DC+	Par bidirecional C+	Par sobressalente	PoE positivo
	5	BI_DC-	Par bidirecional C-	Par sobressalente	PoE positivo
	6	BI_DB-	Par bidirecional B-	TX-	PoE positivo
	7	BI_DD+	Par bidirecional D+	Par sobressalente	PoE negativo
	8	BI_DB-	Par bidirecional D-	Par sobressalente	PoE negativo

### Porta serial do console

A porta serial do console permite conectar o ponto de acesso a um terminal serial ou laptop para viabilizar o gerenciamento local direto. Essa porta corresponde a um conector RJ-45 fêmea com o esquema de pinos descrito na [Tabela 2](#). Conecte essa porta de uma das seguintes formas:

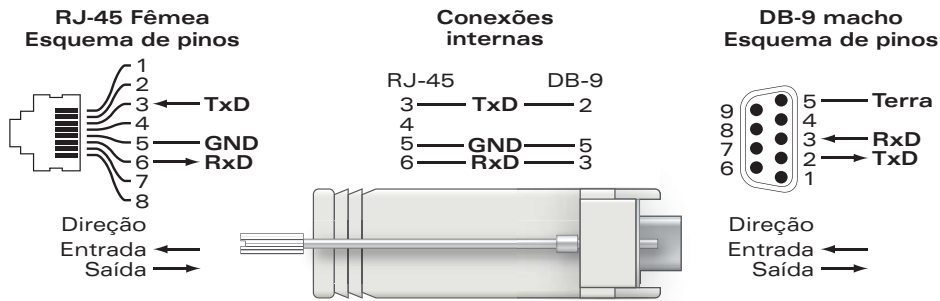
- Conecte-a diretamente a um terminal ou servidor de terminal usando um cabo Ethernet.
- Use um adaptador modular para converter o conector RJ-45 (fêmea) do ponto de acesso em um conector DB-9 (macho), e conecte o adaptador a um laptop usando um cabo RS-232. Veja a [Figura 7](#) para saber os detalhes dos conectores do adaptador.

**Tabela 2** Conector da porta serial do console

Conector	Pino	Nome do sinal	Função
	3	TXD	Transmissão
	4	GND	Terra
	5	GND	Terra
	6	RXD	Recepção

Os pinos não listados não são conectados.

**Figura 7** Conversão do adaptador modular de RJ-45 (fêmea) para DB-9 (macho)



### Conexão da alimentação

O ponto de acesso da série W-AP120 possui um soquete de conexão de alimentação de 5 V CC (DC) para oferecer suporte à alimentação fornecida por um adaptador de energia elétrica CA-CC (AC/DC).

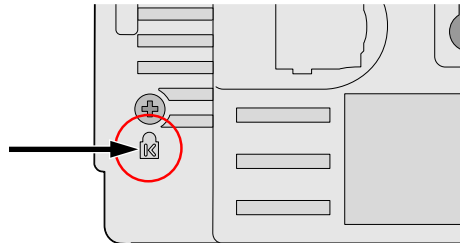


**Nota:** Se ambas as fontes de alimentação PoE e CC (DC) estiverem disponíveis, o ponto de acesso utilizará a PoE, ainda que não haja tensão PoE disponível para alimentar o ponto de acesso.

### Conexão de um cabo de segurança

Para oferecer mais segurança ao W-AP121 ou W-AP125, é possível conectar um cabo de segurança à parte traseira do produto (veja a [Figura 8](#)).

**Figura 8** Conexão do cadeado de segurança



### Verificação da conectividade pós-instalação

Nesse momento, os LEDs integrados do ponto de acesso podem ser usados para verificar se o ponto de acesso está recebendo energia e inicializando com sucesso (consulte a [Tabela 3](#)). Consulte o documento *ArubaOS Quick Start Guide* para obter mais detalhes sobre a verificação da conectividade da rede pós-instalação.

LED	Cor/estado	Significado
PWR	Verde fixo	Dispositivo ligado, pronto para uso.
	Verde piscando	Sistema em inicialização
	Vermelho fixo	O sistema não pôde ser iniciado, entre em contato com o centro de assistência técnica.

LED	Cor/estado	Significado
ENET 0 (100/1000 Mbps)	Verde/âmbar apagado	Sem conexão.
	Verde aceso	Conexão a 1000 Mbps
	Âmbar aceso	Conexão a 100 Mbps.
	Verde/âmbar piscando	Atividade de dados.
ENET 1 (100/1000 Mbps)	Verde/âmbar apagado	Sem conexão.
	Verde aceso	Conexão a 1000 Mbps
	Âmbar aceso	Conexão a 100 Mbps.
	Verde/âmbar piscando	Atividade de dados.
11A/N	Âmbar	Conexão sem fio sob 11a.
	Verde	Conexão sem fio sob 11n na faixa de 5 GHz.
11B/G/N	Âmbar	Conexão sem fio sob 11b ou 11g.
	Verde	Conexão sem fio sob 11n na faixa de 2,4 GHz.

## Configuração da série W-AP120

### Provisionamento/reprovisionamento dos pontos de acesso

Os parâmetros de provisionamento são únicos para cada ponto de acesso. Esses parâmetros locais do ponto de acesso são configurados inicialmente no Controlador e depois são transmitidos ao ponto de acesso e armazenados no próprio ponto de acesso. A Dell recomenda que as configurações de provisionamento sejam feitas somente através da interface de usuário da Web do ArubaOS. Consulte o documento *ArubaOS User Guide* para obter as instruções completas.

### Configuração dos pontos de acesso

Os parâmetros de configuração são específicos da rede ou do Controlador e são definidos e armazenados no Controlador. As configurações de rede são transmitidas aos pontos de acesso, mas permanecem armazenadas no Controlador.

As configurações podem ser definidas através da interface de usuário da Web ou da interface de linha de comando do ArubaOS, ou através do Aruba MMS. Consulte os guias respectivos para obter mais detalhes: *ArubaOS User Guide*.

## Especificações do produto

### Mecânica

- Dimensões (antena recolhida) (A x L x P):
  - 4,9 polegadas x 5, 13 polegadas x 2 polegadas
  - 12,4 cm x 13 cm x 5,1 cm
- Peso: 15 oz./0,42 kg
- Dimensões da embalagem:
  - 9,5 polegadas x 7,25 polegadas x 4,5 polegadas
  - 24,1 cm x 18,4 cm x 11,4 cm

- Temperatura:
  - Operacional: 0°C a 50°C (32°F a 122°F)
  - Armazenamento: -10°C a 70°C (14°F a 158°F)



---

**Nota:** Durante o funcionamento normal, a temperatura da base do W-AP120 pode chegar a 80°C (176°F). Está dentro da faixa de temperatura operacional esperada.

---

- Umidade relativa: 5% a 95% sem condensação
- Altitude: 8 mil pés a 28°C (82,4°F)
- Montagem: parede, teto ou mesa
- Antenas:
  - 3 antenas de banda dual articuladas integradas (W-AP121, W-AP125)
  - 3 interfaces RP-SMA para antenas externas (W-AP120, W-AP124)
- Indicadores visuais de status (LEDs): consulte a [Tabela 3](#)

## Elétrica

- Ethernet:
  - 2 interfaces Ethernet RJ-45 100/1000 Base-T auto-sensing
  - MDI/MDX
  - IEEE 802.3 (10Base-T), IEEE 802.3u (100Base-T). IEEE 802.3ab (1000Base-T)
  - PoE (em conformidade com IEEE 802.3af), 48 V CC (DC)/350 mA (consulte a configuração dos pinos na [Tabela 1](#))
- Alimentação:
  - Interface de alimentação de 5 V CC (DC), suporta alimentação fornecida por um adaptador de energia elétrica CA-CC (AC/DC)



---

**Nota:** Se for usar um adaptador de energia diferente do fornecido pela Dell nos EUA ou Canadá, esse aparelho deverá possuir a classificação cULus (NRTL), com saída nominal de 5 V CC (DC), mínimo 4 A, com a marcação “LPS” ou “Classe 2”, e ser adequado para conexão a uma tomada elétrica padrão dos EUA e Canadá.

---

- Suporte PoE em portas Ethernet:
  - Dispositivos de fonte de alimentação PoE em conformidade com o padrão 802.3af
  - PoE+ (56 V a 350 mA)

## Rede sem fio

- Padrões de rede: IEEE 802.11b, IEEE 802.11g, IEEE 802.11a e IEEE 802.11n (draft)
- Tipo de antena:
  - Antena de alto ganho omnidirecional 802.11a/b/g/n integrada
  - Antena de alto ganho omnidirecional 802.11a/b/g/n destacável
- Ganho da antena (para antenas integradas):
  - 2,4 – 2,5 GHz/3,2 dBi (máx.)
  - 5,180 – 5,825 GHz/5,2 dBi (máx.)



- Tecnologia de rádio:
  - Multiplexação por divisão de frequência ortogonal (OFDM – Orthogonal Frequency Division Multiplexing)
  - Espectro de dispersão por sequência direta (DSSS – Direct Sequence Spread Spectrum)
- Tipo de modulação de rádio:
  - 802.11b - CCK, BPSK, QPSK
  - 802.11g - CCK, BPSK, QPSK, 16-QAM, 64-QAM
  - 802.11a - BPSK, QPSK, 16-QAM, 64-QAM
  - 802.11n, draft 2.0
- Controle de acesso à mídia: CSMA/CA com reconhecimento (ACK)
- Faixas de frequência suportadas para 2,4 GHz:
  - 2,400 a 2,4835 GHz (Global), canais específicos do país
- Faixas de frequência suportadas para 5 GHz:
  - 5,150 a 5,250 GHz (baixa frequência), específica do país
  - 5,250 a 5,350 GHz (frequência média), específica do país
  - 5,470 a 5,725 GHz (Europa), específica do país
  - 5,725 a 5,825 GHz (alta frequência), específica do país

802.11b	802.11g	802.11a	802.11n
EUA, Canadá 11	EUA, Canadá 11	EUA, Canadá 12	<< NEED >>
ETSI 13	ETSI 13	ETSI (até 19)	<< NEED >>
Japão 14	Japão 13	Japão 4	<< NEED >>
Taiwan 11	Taiwan 11	Taiwan 7	<< NEED >>

- Taxa de dados:
  - 802.11b - 1, 2, 5,5, 11 Mbps por canal
  - 802.11g - 6, 9, 12, 18, 24, 36, 48 e 54 Mbps por canal
  - 802.11a - 6, 9, 12, 18, 24, 36, 48 e 54 Mbps por canal
  - 802.11n - Taxa de dados MCS0 – MCS15 (de 6,5 Mbps a 300 Mbps)

## Descarte adequado dos equipamentos da Dell

Para obter informações mais atualizadas sobre a conformidade com o meio ambiente global e os produtos da Dell, consulte o documento *Dell PowerConnect W-Series Safety, Environmental, and Regulatory Information* fornecido com este produto ou visite nosso site em [www.dell.com](http://www.dell.com).

### RoHS da União Europeia

**RoHS**

Os produtos da Aruba também estão em conformidade com a Diretiva 2002/95/EC da União Europeia sobre substâncias prejudiciais (RoHS). A diretiva RoHS da União Europeia restringe o uso de materiais abrasivos específicos na fabricação de equipamentos elétricos e eletrônicos. Especificamente, os materiais restritos sob a Diretiva RoHS são chumbo (incluindo soldas utilizadas em placas de circuitos impressos), cádmio, mercúrio, cromo hexavalente e bromo. Alguns produtos da Aruba estão sujeitos às isenções listadas no anexo 7 da Diretiva RoHS (chumbo em soldas utilizadas em placas de circuitos impressos). Os produtos e embalagens serão marcados com o rótulo “RoHS” ilustrado à esquerda para indicar a conformidade com essa diretiva.

### Substituição da bateria



**Cuidado:** As baterias fornecidas com os produtos da Dell devem ser substituídas somente por profissionais da assistência técnica da Dell. Entre em contato com a Dell para solicitar a substituição das baterias. Não tente substituir a bateria. Existe o risco de explosão se a bateria incorreta for instalada. Descarte as baterias de acordo com as instruções.

## Segurança e conformidade com as normas

A Dell fornece um documento multilíngue que contém restrições e informações adicionais sobre segurança e normas específicas do país para todos os produtos de hardware da Dell. O documento *Dell PowerConnect W-Series Safety, Environmental, and Regulatory Information* é fornecido com este produto.



**Cuidado:** Declaração sobre a exposição à radiação de RF: Este equipamento está em conformidade com os limites de exposição à radiação de RF da FCC. Este equipamento deve ser instalado e utilizado a uma distância mínima de 35 cm entre o radiador e o seu corpo para operações sob 2,4 GHz e 5 GHz. Este transmissor deve ser instalado ou funcionar em conjunto com qualquer outra antena ou transmissor. Quando operado dentro da faixa de frequência de 5,15 a 5,25 GHz, este dispositivo deve ser restrito ao uso em ambientes internos para reduzir a possibilidade de interferência prejudicial com sistemas de satélite móvel co-canal.

## Nota de advertência sobre equipamentos de rádio para a Coreia

### Radio Equipment for the radio data communication system

#### \*\* Warning Notice \*\*

For a radio equipment using 2400~2483.5MHz or 5725~5825MHz, the following two expression should be displayed ;

1. Indicate following expression on the product where is easy to see : "This radio equipment can be crossed during operation."

당해 무선설비는 운용 중 전파혼신 가능성이 있음

당해 무선설비는 운용 중 전파혼신 가능성이 있음

2. The manufacturer and installer should fully inform the operator or users "This radio equipment cannot provide a service relevant to the human life safety, as it can be crossed" through the user manual etc.

당해 무선설비는 전파혼신 가능성이 있으므로 인명안전과 관련된 서비스는 할 수 없습니다.

당해 무선설비 전파혼신 가능성이 있으므로 인명안전과 관련된 서비스는 할 수 없습니다.

## **Copyright**

© 2010 Aruba Networks, Inc. AirWave®, Aruba Networks®, Aruba Mobility Management System®, Bluescanner, For Wireless That Works®, Mobile Edge Architecture®, People Move. Networks Must Follow®, RFprotect®, The All Wireless Workplace Is Now Open For Business, Green Island, The Mobile Edge Company® e outras marcas registradas são marcas comerciais da Aruba Networks, Inc. Dell™, o logotipo DELL™ e PowerConnect™ são marcas comerciais da Dell Inc.

Todos os direitos reservados. As especificações deste manual estão sujeitas a alterações sem aviso prévio.

Fabricado nos EUA. As outras marcas comerciais que aparecem neste manual pertencem às suas respectivas empresas.

## **Código de fonte aberta**

Alguns produtos da Aruba contêm código de software de fonte aberta desenvolvido por terceiros, incluindo código de software para licença pública geral (GPL) GNU, licença pública menos generalizada (“LGPL”) GNU ou outras licenças de fonte aberta. O código de fonte aberta pode ser encontrado neste site:

[http://www.arubanetworks.com/open\\_source](http://www.arubanetworks.com/open_source)

## **Aviso legal**

O uso de plataformas de switching e softwares da Aruba Networks, Inc., por pessoas físicas ou jurídicas, na terminação de outros dispositivos clientes VPN de outros fornecedores constitui a plena aceitação da responsabilidade dessa pessoa física ou jurídica por tal ação e isenta completamente a Aruba Networks, Inc. de todo e qualquer processo legal que possa ser movido contra a mesma com relação à violação dos direitos de copyright em nome desses fornecedores.

## **Garantia**

Este produto de hardware é protegido pela garantia padrão de um ano da Aruba para peças/mão-de-obra. Para obter mais informações, consulte os TERMOS E CONDIÇÕES DE SERVIÇO E SUPORTE DA ARUBACARE.

A alteração deste dispositivo (como pintá-lo) anula a garantia.



# Dell PowerConnect W-AP120 Serisi AP

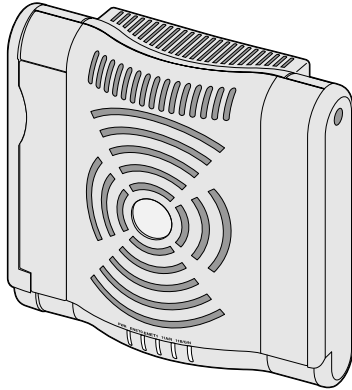
## Kurulum Kılavuzu

Dell W-AP120 kablosuz erişim noktası serisi, yüksek performanslı WLAN için yakında açıklanacak olan IEEE 802.11n (halen taslak 2.0) standardını destekler. Bu erişim noktaları, yüksek performanslı 802.11n öncesi 2,4 GHz ve 5 GHz işlevlerini sunmak için MIMO (Çoklu Giriş Çoklu Çıkış) teknolojisini ve diğer yüksek veri hacmi modu tekniklerini kullanırken, eşzamanlı olarak, mevcut 802.11a/b/g kablosuz hizmetlerini de destekler. W-AP120 serisi erişim noktaları, tek veya çift radyolu ve entegre antenli veya ayrılabilir antenleri destekleyen RP-SMA arabirimli sürümler halinde sunulmaktadır. W-AP120 serisi erişim noktaları yalnızca bir Dell denetleyici ile bağlantılı olarak çalışır.

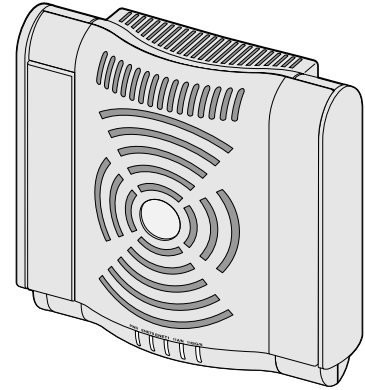
Dell W-AP120 serisi erişim noktaları şu yeteneklere sahiptir:

- Kablosuz alıcı-verici
- Protokolden bağımsız ağ oluşturma işlevi
- Bir kablosuz erişim noktası olarak IEEE 802.11a/b/g veya 802.11n çalışması
- Bir kablosuz hava izleme aygıtı olarak IEEE 802.11a/b/g veya 802.11n çalışması
- IEEE 802.3af PoE ve aynı zamanda önceki yüksek Ethernet Üzerinden Güç standartları (PoE + / 802.3at) ile uyumluluk
- Bir Dell denetleyici üzerinden merkezi yönetim yapılandırması ve güncelleştirmeleri
- Bir denetleyici lisansı ile W-AP120 serisi a/b/g modellerini 802.11n (taslak) uygunluğuna yükseltebilme

### Şekil 1 W-AP120 Serisi Erişim Noktaları



W-AP120/W-AP124  
(ayrılabilir antenler için 3 x RP-SMA arabirimleri)



W-AP121/W-AP125  
(3 x entegre çift bant antenler)

## Ambalaj İçeriği

- AP-120 serisi erişim noktası
- Kurulum kılavuzu (bu belge)



**Not:** Yanlış, eksik veya hasarlı parçalarla ilgili olarak tedarikçinizi bilgilendirin. Mümkünse, orijinal ambalaj malzemelerini içeren karton kutuyu saklayın. İhtiyaç halinde üniteyi yeniden ambalajlayıp tedarikçinize geri göndermek için bu malzemeleri kullanın.



**Not:** W-AP120 serisiyle kullanılabilen ek montaj kitleri ayrıca satılmaktadır. Ayrıntılar için Dell satış temsilcinizle görüşün.

## Başlamadan Önce

### WLAN Planlaması

Kablosuz ağ yerleşiminiz için kaç adet Dell AP'ye ihtiyaç duyduğunuzu ve bunların nerelere kurulacaklarını belirleyin. Dell'in otomasyonlu RF Planı keşif yazılımını (ayrıca sunulmaktadır) kullanarak bu planlamayı kolayca gerçekleştirebilirsiniz. Bu işlem WLAN veya RF planlaması olarak kabul edilir ve ana Dell denetleyici kurulumu ve yapılandırması öncesinde tamamlanması gerekir. Bildik Dell kurulumlarında, denetleyiciler, AP'lerden önce yapılandırılır ve kurulur.

WLAN planlamasıyla ilgili yardım için, *Kapalı Mekan Erişim Noktaları: Keşif ve Planlama Yerleştirme Öncesi Kılavuzu*'na ve *RF Planı Kurulum ve Kullanım Kılavuzu*'na bakın.

### Kurulum Öncesi Ağ Gereksinimleri

WLAN planlaması tamamlandıktan ve uygun ürünler ve bunların yerleri belirlendikten sonra, Dell denetleyici(ler) kurulmalı ve Dell Erişim Noktaları yerleştirilmeden önce başlangıç ayarları yapılmalıdır.

denetleyici başlangıç ayarları için, denetleyiciniz üzerinde kurulu yazılım sürümüne ait *ArubaOS Hızlı Başlangıç Kılavuzu*'na bakın.

### Kurulum Öncesi Kontrol Listesi

W-AP120 serisi erişim noktanızı kurmadan önce, elinizde şunların bulunduğundan emin olun:

- W-AP120/W-AP124 için: Ağ yerleşim planında belirtilen harici antenler
- Gereken uzunlukta CAT5 UTP kablosu
- Aşağıdaki güç kaynaklarından biri:
  - IEEE 802.3af uyumlu Ethernet Üzerinden Güç (PoE) kaynağı
  - W-AP120/W-AP121 için tam işlev desteği; W-AP124/W-AP125 için azaltılmış işlev desteği
  - IEEE Ethernet Üzerinden Güç + (PoE+) kaynak çıkışı 56 Volt @ 350 mA
  - POE kaynağı, herhangi bir güç kaynağı ekipmanı (PSE) denetleyici veya midspan PSE cihazı olabilir
  - Dell AP AC-DC bağdaştırıcı kiti (ayrıca satılır)
- Ağ üzerinde hizmet sunumu yapılan Dell denetleyici:
  - Erişim noktanıza katman 2/3 ağ bağlantırlığı
  - Aşağıdaki ağ hizmetlerinden biri:
    - Aruba Discovery Protocol (ADP)
    - "A" kaydı olan DNS sunucusu
    - Satıcıya özgü seçenekler sunan DHCP Sunucusu

## Ayarlama İşleminin Özeti



**Not:** Bir W-AP120 serisi AP için ayar ve kurulum işlemlerine geçmeden önce, [Kurulum Öncesi Kontrol Listesi](#) altında sıralanan öğelerin doğrulamasını yapmak önemlidir.

Bir AP-120 serisi erişim noktasının başarılı bir şekilde ayarlanabilmesi için aşağıdaki sırayla yapılması gereken beş iş mevcuttur:

1. Kurulum öncesi bağlantı doğrulayın.
2. Her bir AP için özel kurulum konumlarını belirleyin.
3. Her bir AP'yi kurun.
4. Kurulum sonrası bağlantı doğrulayın.
5. Her bir AP'yi yapılandırın.



**Not:** Dell, resmi gereksinimlere uygun olarak, AP-120 serisi erişim noktalarını yalnızca yetkili ağ yöneticilerinin ayarları değiştirebileceği şekilde tasarlamıştır. AP yapılandırmasıyla ilgili daha fazla bilgi için *ArubaOS Hızlı Başlangıç Kılavuzu* ve *ArubaOS Kullanım Kılavuzu*'na bakın.



**Dikkat:** Erişim noktaları, radyo iletim cihazlarıdır ve dolayısıyla resmi denetime tabidir. Erişim noktalarının yapılandırılması ve çalıştırılmasından sorumlu ağ yöneticilerinin yerel yayın yönetmeliklerine uymaları gerekmektedir. Özellikle, erişim noktalarında, erişim noktasının kullanılacağı yere uygun kanal atamaları kullanılmalıdır.

## Kurulum Öncesi Bağlantı Doğrulama

AP'leri bir ağ ortamına kurmadan önce, AP'lerin açık duruma getirildiklerinde denetleyicinin yerini bulabildiklerinden ve ona bağlanabildiklerinden emin olun.

Özellikle, aşağıdaki koşulları doğrulamanız gerekir:

- Ağa bağlı olduğunda, her AP'ye geçerli bir IP adresi atanmaktadır
- AP'ler denetleyicinin yerini bulabilmektedir

denetleyicinin yerini bulma ve ona bağlanma ile ilgili talimatlar için *ArubaOS Hızlı Başlangıç Kılavuzu*'na bakın.

## Özel Kurulum Konumlarını Belirleme

AP-120 serisi erişim noktasını bir duvara veya tavana monte edebilirsiniz. Doğru kurulum yer(ler)ini belirlemek için, Dell RF Planı yazılım uygulaması tarafından oluşturulan AP yerleşim haritasından yararlanın. Her konum, hedeflenen kapsama alanının merkezine olabildiğince yakın olmalı ve engellerden veya bariz enterferans kaynaklarından kurtarılmalıdır. Bu RF emiciler/yansıtıcılar/enterferans kaynakları, RF yayılımını etkileyecektir. Bunlarla ilgili olarak planlama safhasında gerekli açıklamalar ve RF planında gerekli ayarlamalar yapılmalıdır.

### Belirlenmemiş Bilinen RF Emiciler/Yansıtıcılar/Enterferans Kaynakları

Bilinen RF emiciler, yansıtıcılar ve enterferans kaynaklarının sahadayken kurulum safhasında belirlenmesi kritik öneme sahiptir. Bir AP'yi sabit konumuna yerleştirirken bu kaynakların dikkate alındığından emin olun.

RF emiciler şunlardır:

- Çimento/beton: Eski betonda su dağılımın yüksek düzeylerde olması betonu kurutur ve potansiyel RF yayılımına olanak tanır. Yeni betonda ise su yoğunlaşması yüksek düzeydedir ve RF sinyallerini engeller.
- Doğal Unsurlar: Akvaryumlar, fiskiyeler, havuzlar ve ağaçlar
- Tuğla

RF yansıtıcılar şunlardır:

- Metal Nesnelere: Katlar arasındaki metal paneller, inşaat demiri, yangın kapıları, havalandırma/ısıtma menfezleri, parmaklıklı pencereler, panjurlar, tel örgüler (delik boyutuna bağlı olarak), buzdolapları, askılar, raflar ve dosya dolapları
- AP'yi iki havalandırma/ısıtma menfezi arasına yerleştirmeyin. RF bozulmalarını önlemek için AP'lerin menfezlerin altına yerleştirildiğinden emin olun.

RF enterferans kaynakları şunlardır:

- Mikrodalga fırınlar ve diğer 2,4 veya 5 GHz frekanslı nesnelere (telsiz telefonlar gibi)
- Kablosuz kulaklıkların kullanıldığı kafeteryalar ve çağrı merkezleri

## AP'nin kurulması



**Not:** Tüm Dell ürünlerinin servis işleri yalnızca eğitimli servis personeli tarafından yapılmalıdır.

### Entegre Duvara Montaj Yuvalarının Kullanımı

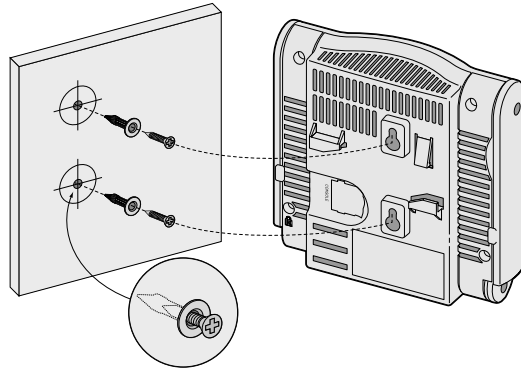
AP'nin arkasında bulunan anahtar deliği şeklindeki yuvalar, cihazın kapalı mekandaki bir duvar veya rafa dik olarak takılması için kullanılabilir. Montaj konumunu seçerken, ünitenin sağ tarafında kablolar için fazladan yer bırakın.



**Not:** Ürün boyutları için bu kılavuzdaki [Ürün Spesifikasyonları](#) bölümüne bakın. Kurulan ünitenin sağ tarafında kablolar için 5 cm'lik ek boşluk bırakın ve anten ekleme için yeterli alan bulunduğundan emin olun.

1. Montaj konumunda, duvara veya rafa birbirinden 4,7 cm uzaklıkta iki vida takın. Cihazı monte edeceğiniz yüzey alçıpan ise, Dell, uygun duvar kenetlerini (ürünle birlikte verilmez) kullanmanızı önerir.
2. AP'nin arkasındaki montaj yuvalarını vidalara hizalayın ve üniteyi kaydırarak yerine oturtun (bkz. [Şekil 2](#)).

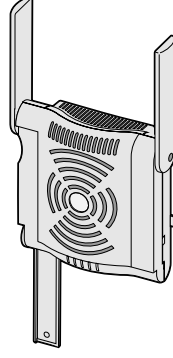
### Şekil 2 W-AP120 Serisi Erişim Noktasının Duvara Takılması



3. W-AP121 veya W-AP125'te antenlerin yönünü ayarlayın. En iyi performans için, antenleri tercihen aynı düzlemde ve duvara paralel ve yönleri dikey olacak şekilde döndürün (bkz. [Şekil 3](#)).

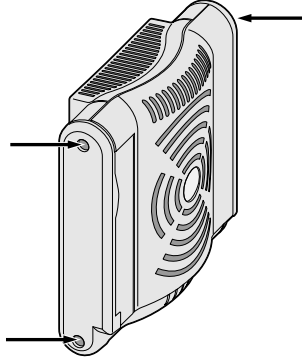


### Şekil 3 Duvara Monte Edilmiş bir W-AP121/W-AP125 üzerinde Anten Yönü



W-AP120 veya W-AP124'te, harici antenleri imalatçının talimatlarına göre kurun ve antenleri AP üzerindeki anten arabirimlerine bağlayın (bkz. Şekil 4).

### Şekil 4 W-AP120/W-AP124 üzerindeki Anten Arabirimleri



## Entegre Tavan Rayı Yuvalarının Kullanımı

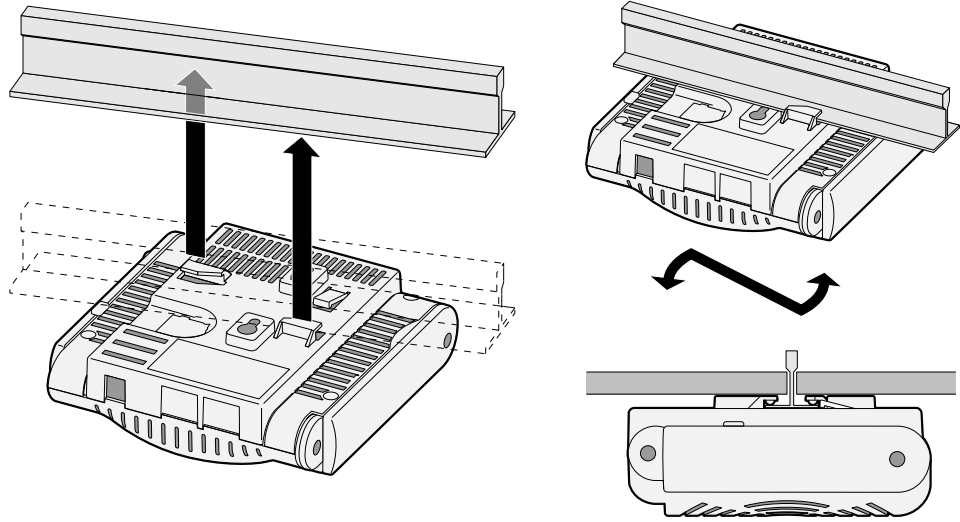
AP'nin arkasındaki geçmeli askı rayı yuvaları, cihazın 38,1/40,64 cm genişliğe sahip standart bir tavan rayına güvenli bir şekilde takılması için kullanılabilir.



**Dikkat:** Cihazı tavana asarken AP'nin tavan rayına sıkıca tutunduğundan emin olun. Düzgün takılmayan cihazlar insanların veya ekipmanların üzerine düşebilir.

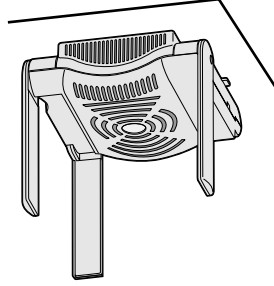
1. AP'nin yerleştirileceği noktaya yakın bir yerde oluşturulacak bir delikten gerekli kabloları çekin.
2. Gerekliyse, konsol kablosunu AP'nin arkasındaki konsol portuna bağlayın.
3. Tavan rayı montaj yuvaları tavan rayı ile yaklaşık 30 derecelik bir açı oluşturacak şekilde AP'yi tavan rayının yanında tutun (bkz. Şekil 5). Kablonun boşunun tavan döşemesinin üst kısmında kaldığından emin olun.

## Şekil 5 Tavan Rayı Montaj Yuvalarının Yönlendirilmesi



4. AP'yi tavana doğru bastırırken cihazı saat yönünde döndürüp tavan rayı üzerindeki yerine geçmesini sağlayın.
5. W-AP121 veya W-AP125'te antenlerin yönünü ayarlayın. En iyi sonuçlar için, antenleri döndürerek dikey duruma getirin (AP gövdesine dik) (bkz. Şekil 6).

## Şekil 6 Tavana Monte Edilmiş bir W-AP121/W-AP125 üzerinde Anten Yönü



W-AP120 veya W-AP124'te, harici antenleri imalatçının talimatlarına göre kurun ve antenleri AP üzerindeki anten arabirimlerine bağlayın (bkz. Şekil 4).

## Gerekli Kabloların Bağlanması

Kabloları tüm yerel ve ulusal yönetmeliklere ve uygulamalara uygun olarak çekin.

### Ethernet Portları

RJ45 Ethernet portları (ENET0 and ENET1), 100/1000Base-T otomatik algılamalı MDI/MDX bağlantılarını destekler. AP'yi bir burgulu çift Ethernet LAN bölümüne veya doğrudan bir Dell denetleyiciye bağlamak için bu portları kullanın. En fazla 100 m uzunluğunda, 4 veya 8 iletkenli, Kategori 5 UTP kablo kullanın.

**Not:** Dell W-AP120 serisi AP'ler, IEEE 802.3.af, Ethernet Üzerinden Güç standardında tanımlandığı gibi yalnızca Ortam A kurulumlarına yöneliktir. Aralarında bağlantı bulunan ekipmanların ilgili LAN bağlantıları da dahil olmak üzere aralarında bağlantı bulunan tüm ekipmanlar aynı bina içine yerleştirilmelidir.

100/1000 Mbps Ethernet portları, AP'nin altında bulunur. Bu portlar, pin bağlantıları [Tablo 1](#)'de gösterilen RJ-45 dışı konnektörlere sahiptir.

**Tablo 1** ENET0 ve ENET1 Ethernet Portları için Konnektör

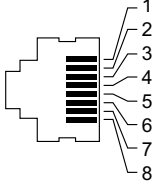
Konnektör	Pin	Sinyal Adı	GE Bağlantısı	FE Bağlantısı	PoE
	1	BI_DA+	İki yönlü çift A+	RX+	POE negatif
	2	BI_DA-	İki yönlü çift A-	RX-	POE negatif
	3	BI_DB+	İki yönlü çift B+	TX+	POE pozitif
	4	BI_DC+	İki yönlü çift -C	Yedek çift	POE pozitif
	5	BI_DC-	İki yönlü çift C-	Yedek çift	POE pozitif
	6	BI_DB-	İki yönlü çift B-	TX-	POE pozitif
	7	BI_DD+	İki yönlü çift D+	Yedek çift	POE negatif
	8	BI_DB-	İki yönlü çift D-	Yedek çift	POE negatif

### Seri Konsol Portu

Seri konsol portu AP'yi bir seri terminale veya doğrudan yerel yönetim için bir dizüstü bilgisayara bağlamanıza olanak tanır. Bu port, [Tablo 2](#)'de gösterilen pin bağlantılarına sahip bir RJ-45 dışı konnektördür. Bu portu aşağıdaki şekillerde bağlayabilirsiniz:

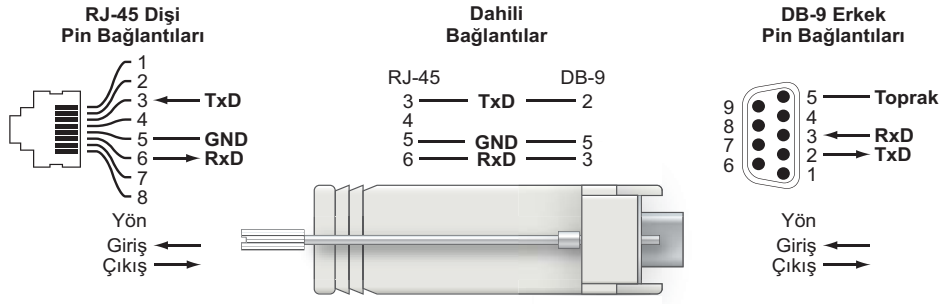
- Bir Ethernet kablosu kullanarak doğrudan bir terminale veya terminal sunucusuna bağlayın.
- AP üzerindeki RJ-45 (dışı) konnektörü bir DB-9 (erkek) konnektöre dönüştürmek için bir modüler bağdaştırıcı kullanın ve bağdaştırıcıyı RS-232 kablo yardımıyla bir dizüstü bilgisayara bağlayın. Bağdaştırıcının konnektör ayrıntıları için bkz. [Şekil 7](#).

**Tablo 2** Seri Konsol Portu için Konnektör

Konnektör	Pin	Sinyal Adı	İşlev
	3	TXD	Verici
	4	GND	Toprak
	5	GND	Toprak
	6	RXD	Alıcı

Listede bulunmayan pinler bağlanmaz.

## Şekil 7 RJ-45'i (Dişi) Modüler Bağdaştırıcı ile DB-9'a (Erkek) Dönüştürme



## Güç Bağlantısı

W-AP120 serisi AP, bir AC'den DC'ye ana elektrik şebekesi güç bağdaştırıcısı üzerinden güç beslemeyi destekleyecek bir tekli 5V DC güç jakı girişine sahiptir.

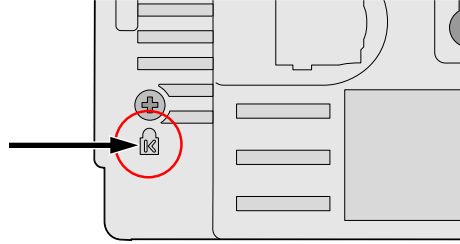


**Not:** Hem POE hem de DC gücü kullanılabilir, AP'ye güç beslemek için yeterli POE gerilimi olmadığında dahi POE'yi kullanır.

## Bir Emniyet Kablosunun Bağlanması

W-AP121 veya W-AP125 için ek güvenlik sağlamak amacıyla, ünitenin arkasına bir emniyet kablosu bağlayabilirsiniz (bkz. Şekil 8).

## Şekil 8 Emniyet Kilidi Bağlantısı



## Kurulum Sonrası Bağlanırlığı Doğrulama

Bu noktada, AP'nin güç alabildiğini ve başarıyla çalıştığını doğrulamak için AP üzerindeki entegre LED'lerden yararlanılabilir (bkz. Tablo 3). Kurulum sonrası ağ bağlantırlığını doğrulamakla ilgili daha fazla ayrıntı için *ArubaOS Hızlı Başlangıç Kılavuzu*'na bakın.

LED	Renk/Durum	Anlamı
PWR	Devamlı yeşil ışık	Güç açık, cihaz hazır
	Yanıp sönen yeşil ışık	Sistem başlatılıyor
	Devamlı kırmızı ışık	Sistem başlatılmadı, TAC ile görüşün

LED	Renk/Durum	Anlamı
ENET 0 (100/1000 Mbps)	Yeşil/Kehribar sönük	Bağlantı yok
	Yeşil ışık	1000 Mbps bağlantısı
	Kehribar renkli ışık	100 Mbps bağlantısı
	Sık yanıp sönen yeşil/kehribar	Veri etkinliği
ENET 1 (100/1000 Mbps)	Yeşil/Kehribar sönük	Bağlantı Yok
	Yeşil ışık	1000 Mbps bağlantısı
	Kehribar renkli ışık	100 Mbps bağlantısı
	Sık yanıp sönen yeşil/kehribar	Veri etkinliği
11A/N	Kehribar	Kablosuz bağlantısı eski 11a
	Yeşil	Kablosuz bağlantısı 11n 5 Ghz bandı
11B/G/N	Kehribar	Kablosuz bağlantısı eski 11b veya 11g
	Yeşil	Kablosuz bağlantısı 11n 2,4 Ghz bandı

## W-AP120 Serisi'ni Yapılandırma

### AP Hizmet Sunumu/Yeniden Hizmet Sunumu

Hizmet sunumu parametreleri her AP için benzersizdir. Bu yerel AP parametreleri başlangıçta denetleyici üzerinde yapılandırılır ve daha sonra AP'ye iletilip AP'nin kendisinde saklanır. Dell, hizmet sunumu ayarlarının yalnızca ArubaOS Web Arayüzü üzerinden yapılandırılmasını önerir. Ayrıntıların tamamı için *ArubaOS Kullanım Kılavuzu*'na bakın.

### AP Yapılandırması

Yapılandırma parametreleri ağa veya denetleyiciye özeldir ve denetleyici üzerinde yapılandırılır ve saklanır. Ağ yapılandırma ayarları AP'lere iletilir, ancak denetleyici üzerinde saklanmaya devam eder.

Yapılandırma ayarları, ArubaOS Web Arayüzü, ArubaOS Komut Satırı Arayüzü veya Aruba MMS üzerinden yapılandırılabilir. Daha fazla ayrıntı için ilgili kılavuzlara bakın: *ArubaOS Kullanım Kılavuzu*.

## Ürün Spesifikasyonları

### Mekanik

- Boyutlar (anten istifli olarak) (YxGxD):
  - 4,9 inç x 5,13 inç x 2 inç
  - 12,4 cm x 13 cm x 5,1 cm
- Ağırlık: 0,42 kg
- Ambalaj Boyutları:
  - 9,5 inç x 7,25 inç x 4,5 inç
  - 24,1 cm x 18,4 cm x 11,4 cm

- Sıcaklık:
  - Çalıştırma: 0°C ila 50°C
  - Saklama: –10°C ila 70°C



**Not:** Normal çalıştırma sırasında, W-AP120 serisi ürünün tabanındaki sıcaklık 80°C'ye yaklaşabilir. Bu değer, beklenen çalıştırma sıcaklığı aralığındadır.

- Bağlı Nem: %5 ila %95 yoğunlaşmayan
- İrtifa: 28°C'de 8000 ft
- Montaj: Duvara, tavana monte edilebilir veya masaüstüne konulabilir
- Antenler:
  - 3 adet entegre eklemeli çift bant anten ögesi (W-AP121, W-AP125)
  - Harici antenler için 3 adet RP-SMA arabirimi (W-AP120, W-AP124)
- Görsel Durum Göstergeleri (LED'ler): Bkz. [Tablo 3](#)

## Elektriksel

- Ethernet:
  - 2 x 100/1000 Base-T otomatik algılamalı Ethernet RJ-45 Arabirimleri
  - MDI/MDX
  - IEEE 802.3 (10Base-T), IEEE 802.3u (100Base-T), IEEE 802.3ab (1000Base-T)
  - Güç Üzerinden Ethernet (IEEE 802.3af uyumlu), 48V DC/350mA (pin yapılandırması için bkz. [Tablo 1](#))
- Güç:
  - 5 VDC güç arabirimi, bir AC'den DC'ye ana elektrik şebekesi güç bağdaştırıcısı üzerinden güç beslemeyi destekler



**Not:** Dell tarafından sağlananlar haricinde bir güç bağdaştırıcısı Birleşik Devletler veya Kanada'da kullanılacaksa, bunun cULus (NRTL) tarafından Listelenmiş, 5 VDC çıkış değerine sahip, minimum 4A, "LPS" veya "Sınıf 2" işaretli ve Birleşik Devletler ve Kanada'daki bir standart güç yuvasına takılmaya uygun bir bağdaştırıcı olması gerekir.

- Ethernet portları üzerinde POE desteği:
  - 802.3af uyumlu POE kaynak cihazları
  - POE+ (56 V @ 350 mA)

## Kablosuz LAN

- Ağ Standartları: IEEE 802.11b, IEEE 802.11g, IEEE 802.11a, ve IEEE 802.11n (draft)
- Anten Türü:
  - Entegre 802.11a/b/g/n çok yönlü yüksek kazançlı anten
  - Ayrılabilir 802.11a/b/g/n çok yönlü yüksek kazançlı anten
- Anten Kazancı (Entegre Antenler):
  - 2,4 – 2,5 GHz/3,2 dBi (maks.)
  - 5,180 – 5,825 GHz/5,2 dBi (maks.)
- Radyo Teknolojisi:
  - Dikey Frekans Bölmeli Çoklama (OFDM)
  - Düz Sıralı Dağınık Spektrum (DSSS)

- Radyo Modülasyon Türü:
  - 802.11b - CCK, BPSK, QPSK
  - 802.11g - CCK, BPSK, QPSK,16-QAM, 64-QAM
  - 802.11a - BPSK, QPSK,16-QAM, 64-QAM
  - 802.11n draft 2.0
- Ortam Erişim Kontrolü: ACK ile CSMA/CA
- Desteklenen Frekans Bantları 2,4 GHz:
  - 2,400 ~ 2,4835 GHz (Global), ülkeye özgü kanallar
- Desteklenen Frekans Bantları 5 GHz:
  - 5,150 ~ 5,250 GHz (alçak bant), ülkeye özgü
  - 5,250 ~ 5,350 GHz (orta bant), ülkeye özgü
  - 5,470 ~ 5,725 GHz (Avrupa), ülkeye özgü
  - 5,725 ~ 5,825 GHz (yüksek bant), ülkeye özgü

802.11b	802.11g	802.11a	802.11n
ABD, Kanada 11	ABD, Kanada 11	ABD, Kanada 12	<< NEED >>
ETSI 13	ETSI 13	ETSI (en fazla 19)	<< NEED >>
Japonya 14	Japonya 13	Japonya 4	<< NEED >>
Tayvan 11	Tayvan 11	Tayvan 7	<< NEED >>

- Veri Hızları:
  - 802.11b - kanal başına 1, 2, 5,5, 11 Mbps
  - 802.11g - kanal başına 6, 9, 12, 18, 24, 36, 48 ve 54 Mbps
  - 802.11a - kanal başına 6, 9, 12, 18, 24, 36, 48 ve 54 Mbps
  - 802.11n - Veri hızı MCS0 – MCS15 (6,5 Mbps ila 300 Mbps)

## Dell Ekipmanının Doğru İmhası

Global Çevresel Uygunluk ve Dell ürünleri hakkında en güncel bilgileri edinmek için, bu ürün içeriğinde yer alan *Dell PowerConnect W-Serisi Güvenlik, Çevre ve Yönetmelik Bilgileri* belgesini inceleyebilir veya [www.dell.com](http://www.dell.com) adresindeki web sitemizi ziyaret edebilirsiniz.

### Avrupa Birliği RoHS (Tehlikeli Maddelerin Kısıtlanması)

**RoHS**

Aruba ürünleri, 2002/95/EC sayılı AB Tehlikeli Maddelerin Kısıtlanması (RoHS) Direktifi'ne de uygundur. AB RoHS, elektrikli ve elektronik ekipman imalatında belirli tehlikeli malzemelerin kullanımına kısıtlamalar getirmektedir. Özellikle, RoHS Direktifi uyarınca kısıtlamaya tabi olan malzemeler Kurşun (baskılı devre ünitelerinde kullanılan Lehim dahil), Kadmiyum, Cıva, Hekzavalan Krom ve Brom'dur. Bazı Aruba ürünleri, RoHS Direktifi Ek 7 kapsamında listelenen istisnalara (baskılı devre ünitelerinde kullanılan lehim içerisindeki Kurşun) tabidir. Söz konusu Direktife uygunluğun gösterilmesi için, ürün ve ambalajların sol tarafları "RoHS" etiketi ile işaretlenecektir.

## Pil Değişimi



**Dikkat:** Dell ürünlerinin içerdiği piller yalnızca kalifiye Dell servis personeli tarafından değiştirilmelidir. Pil değişimi için Dell ile görüşün. Pil değişimini kendiniz denemeyin. Yanlış türde bir pil takmanız durumunda patlama riski bulunmaktadır. Pilleri talimatlara göre imha edin.

## Güvenlik ve Yönetmelikler Yönünden Uygunluk

Dell, tüm Dell donanım ürünleri için, birden fazla dilde ülkeye özgü kısıtlamaları ve ek güvenlik bilgileri ile yönetmelik bilgilerini içeren bir belge sunmaktadır. *Dell PowerConnect W-Serisi Güvenlik, Çevre ve Yönetmelik Bilgileri* belgesi bu ürün içeriğinde yer almaktadır.



**Dikkat: RF Radyasyona Maruz Kalma Bildirimi:** Bu ekipman, FCC RF radyasyona maruz kalma sınırlarına uygundur. Bu ekipmanın kurulumu ve çalıştırılması sırasında, 2,4 GHz ve 5 GHz frekansları için, radyasyon kaynağı ile vücudunuz arasındaki minimum 35 cm'lik uzaklık korunmalıdır. Bu verici, başka herhangi bir anten veya verici ile ortak konumlandırılmamalı veya bağlantılı olarak çalıştırılmamalıdır. 5,15 ila 5,25 GHz frekans aralığında çalıştırılırken, ortak kanallı Mobil Uydu Sistemleri ile zararlı enterferans potansiyelinin azaltılması amacıyla, bu cihazın kullanımı kapalı alanlarla sınırlandırılmıştır.

## Kore Radyo Ekipmanlarıyla İlgili Uyarı Bildirimi

Radio Equipment for the radio data communication system

### \*\* Warning Notice \*\*

For a radio equipment using 2400~2483.5MHz or 5725~5825MHz, the following two expression should be displayed ;

1. Indicate following expression on the product where is easy to see : "This radio equipment can be crossed during operation."

당해 무선설비는 운용 중 전파혼신 가능성이 있음

당해 무선설비는 운용 중 전파혼신 가능성이 있음

2. The manufacturer and installer should fully inform the operator or users "This radio equipment cannot provide a service relevant to the human life safety, as it can be crossed" through the user manual etc.

당해 무선설비는 전파혼신 가능성이 있으므로 인명안전과 관련된 서비스는 할 수 없습니다.

당해 무선설비 전파혼신 가능성이 있으므로 인명안전과 관련된 서비스는 할 수 없습니다.

### Telif Hakkı

© 2010 Aruba Networks, Inc. AirWave®, Aruba Networks®, Aruba Mobility Management System®, Bluescanner, For Wireless That Works®, Mobile Edge Architecture®, People Move. Networks Must Follow®, RFprotect®, The All Wireless Workplace Is Now Open For Business, Green Island, and The Mobile Edge Company® ve diğer tescilli markalar, Aruba Networks, Inc.'nin ticari markalarıdır. Dell™, DELL™ logosu ve PowerConnect™, Dell Inc.'nin ticari markalarıdır.

Her hakkı saklıdır. Bu el kitabındaki spesifikasyonlar haber verilmeksizin değiştirilebilir.

Menşei ABD'dir. Bu el kitabında geçen diğer tüm ticari markalar ilgili şirketlerin kendi mülkiyetindedir.

### Açık Kaynak Kodu

Belli başlı Aruba ürünleri, GNU Genel Kamu Lisansı (GPL), GNU Kısıtlı Genel Kamu Lisansı (LGPL) veya diğer Açık Kaynak Lisanslarına tabi yazılım kodları dahil olmak üzere, üçüncü taraflarca geliştirilmiş Açık Kaynak yazılım kodları içerir. Açık Kaynak koduna şu siteden ulaşılabilir:

[http://www.arubanetworks.com/open\\_source](http://www.arubanetworks.com/open_source)



**Yasal Uyarı**

Aruba Networks, Inc. anahtarlama platformları ve yazılımlarının herhangi bir birey veya şirket tarafından başka satıcıların VPN istemci cihazlarını sonlandırmak amacıyla kullanılması eyleminden doğacak sorumluluk tamamıyla ilgili birey veya şirketin kendisine aittir ve bu eylemde bulunan birey veya şirket, ilgili satıcılar adına telif hakkı ihlalden dolayı Aruba Networks, Inc. aleyhine açılacak her türlü hukuk davası bakımından tam tazmin yükümlülüğü altında olacaktır.

**Garanti**

Bu donanım ürünü, bir yıllık standart Aruba parça/işçilik garantisi kapsamındadır. Daha fazla bilgi için, ARUBACARE SERVİS VE DESTEK ŞARTLAR VE KOŞULLARI'na bakın.

Bu cihazda değişiklik yapıldığı takdirde (boyama gibi), garanti geçerliliğini yitirir.



# Dell PowerConnect W-AP120 シリーズ AP

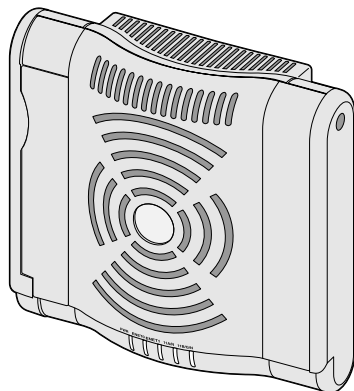
## 設置ガイド

Dell W-AP120 シリーズワイヤレスアクセスポイントは、IEEE 802.11n（現在ドラフト 2.0 版）標準の高パフォーマンス WLAN をサポートします。これらのアクセスポイントは、高パフォーマンスを実現する MIMO (Multiple Input, Multiple Output) テクノロジーおよびその他の高スループットモードテクノロジー、802.11n 以前の 2.4 GHz および 5 GHz 機能を使用すると同時に、既存の 802.11a/b/g ワイヤレスサービスをサポートします。W-AP120 シリーズアクセスポイントは、シングルまたはデュアル無線のバージョン、および一体型アンテナモデルまたは取り外し可能なアンテナをサポートする RP-SMA インターフェイスモデルが用意されています。W-AP120 シリーズアクセスポイントは、Dell コントローラとの組み合わせでのみ機能します。

Dell W-AP120 シリーズアクセスポイントには、以下の機能があります。

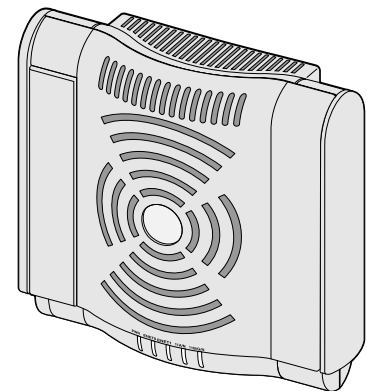
- ワイヤレストランシーバ
- プロトコルに依存しないネットワーク機能
- IEEE 802.11a/b/g or 802.11n（ワイヤレスアクセスポイント）
- IEEE 802.11a/b/g or 802.11n（ワイヤレス空気モニター）
- IEEE 802.3af PoE との互換性およびイーサネット Pre-Standards (PoE + / 802.3at) での高出力
- Dell コントローラを介した一元管理設定およびアップグレード
- コントローラライセンスでの W-AP120 シリーズ a/b/g モードから 802.11n（ドラフト）互換へのアップグレード

### 図 1 W-AP120 シリーズアクセスポイント



W-AP120/W-AP124

取り外し可能なアンテナ用 3 x RP-SMA インターフェ



W-AP121/W-AP125

(3 x 統合デュアルバンドアンテナ)

## パッケージの内容

- AP-120 シリーズ アクセスポイント
- 設置ガイド（本書）



**メモ:** 内容が違っている場合、不足している場合、または破損している場合は、サプライヤに連絡してください。必要な場合は、元の梱包資材および箱を使用して（可能な場合）パッケージを梱包し、サプライヤに返送してください。



メモ: W-AP120 シリーズアクセスポイントと組み合わせて使用する追加のモニタリングキットは別売りです。詳細については、最寄りの Dell 代理店にお問い合わせください。

## 始める前に

### WLAN の計画

ワイヤレスネットワーク展開に必要な Dell AP の数および AP の設置位置を特定します。この計画は、Dell の自動 RF 計画サイト調査ソフトウェア（別途入手する必要があります）を使用して、簡単に決定できます。このプロセスは WLAN または RF 計画と見なされ、マスタ Dell コントローラの設置と設定を行うときに完了する必要があります。一般的な Dell の設置では、コントローラは AP の前に設定およびインストールされます。

WLAN の計画については、『Indoor Access Points: Site Survey and Planning Pre-Deployment Guide』および『RF Plan Installation and User Guide』を参照してください。

### 設置前のネットワーク要件

WLAN の計画が完了し、適切な製品および設置場所を決定した後、Dell アクセスポイントを展開する前に Dell コントローラをインストールして、初期設定を行う必要があります。

コントローラの初期設定については、『ArubaOS Quick Start Guide』でご使用のコントローラにインストールされているソフトウェアバージョンを確認してください。

### 設置前のチェックリスト

W-AP120 シリーズアクセスポイントを設置する前に、以下のコンポーネントが揃っていることを確認してください。

- W-AP120/W-AP124 の場合：ネットワーク展開計画で指定されている外部アンテナ
- 必要な長さの CAT5 UTP ケーブル
- 以下のいずれかの電源装置
  - IEEE 802.3af 対応の Power over Ethernet (PoE)
  - W-AP120/W-AP121 の場合は完全な機能をサポートする電源、W-AP124/W-AP125 の場合は一部の機能をサポートする電源
  - IEEE Power Over Ethernet + (PoE+) : 56 V、350 mA
  - POE は、任意の給電装置 (PSE) コントローラまたは Midspan の PSE デバイス
  - Dell AP AC-DC アダプタキット（別売り）
- ネットワークでプロビジョニングされた Dell コントローラ
  - アクセスポイントへのレイヤ 2/3 ネットワーク接続
  - 以下のいずれかのネットワークサービス
    - Aruba Discovery Protocol (ADP)
    - “A” レコードのある DNS サーバ
    - ベンダ固有のオプションのある DHCP サーバー

## セットアッププロセスのまとめ



**メモ:** W-AP120 シリーズ AP を設置する前に、「[設置前のチェックリスト](#)」に記載されているアイテムを確認することが重要です。

AP-120 シリーズ アクセスポイント を正常にセットアップするには、5 つのタスクを完了する必要があります。これらのタスクは、次の順序で実行する必要があります。

1. 設置前の接続を確認します。
2. 各 AP の設置場所を特定します。
3. 各 AP を設置します。
4. 設置後の接続を確認します。
5. 各 AP を設定します。



**メモ:** Dell は、政府の要求に基づき、権限のあるネットワーク管理者だけが設定を変更できるように AP-120 シリーズ アクセスポイント を設計しています。AP の設定の詳細については、『ArubaOS Quick Start Guide』および『Aruba OS User Guide』を参照してください。



**注意:** アクセスポイントは無線伝送デバイスで、政府規制の対象となります。ネットワーク管理者は設定の責任を負い、アクセスポイントの運用は無線法の規制に準拠する必要があります。特に、アクセスポイントは、その使用場所に適したチャンネル割り当てを使用する必要があります。

## 設置前の接続の確認

AP をネットワーク環境に設置する前に、AP の電源を入れたときにコントローラの検出および接続が可能であることを確認してください。

特に、以下の条件を確認する必要があります。

- ネットワークに接続したときに各 AP に有効な IP アドレスが割り当てられること
- AP がコントローラを検出できること

コントローラの検出および接続の手順については、『ArubaOS Quick Start Guide』を参照してください。

## 設置場所の特定

AP-120 シリーズ アクセスポイントは、壁または天井に取り付けることができます。Dell の RF Plan ソフトウェアアプリケーションによって生成される AP 設置マップを使用して、適切な設置場所を決定してください。各設置場所は目的の対象領域の中心に可能な限り近く、障害物や明白な干渉源のない場所である必要があります。これらの RF 吸収材/反射材/干渉源は RF プロパゲーションに影響するので、計画フェーズで考慮に入れ、RF 計画で調整する必要があります。

### 識別されていない既知の RF 吸収材/反射材/干渉源

設置フェーズにおいて現場で既知の RF 吸収材、反射材、および干渉源を識別することが重要です。AP を設置場所に固定する際は、これらの要因を考慮に入れてください。

RF 吸収材には、以下のようなものがあります。

- セメント/コンクリート：乾燥する古いコンクリートの場合、RF プロパゲーションが発生する可能性があります。新しいコンクリートは保湿性が高いため RF 信号がブロックされます。
- 自然物：水槽、噴水、池、および樹木
- 煉瓦

RF 反射材には、以下のようなものがあります。

- 鉄製のオブジェクト：フロア間に設置された金属、鉄筋、防火扉、空調機のダクト、メッシュ窓、ブラインド、金網タイプのフェンス（間口サイズにより異なります）、冷蔵庫、ラック、棚、およびファイヤルキャビネット
- AP を 2 つの空調機ダクトの間に設置しないでください。RF 吸収を回避するために、AP はダクトの下に設置してください。

RF 干渉源には、以下のようなものがあります。

- 電子レンジおよび 2.4 または 5 GHz 以外のオブジェクト（コードレス電話など）
- コードレスヘッドセットのあるランチルームおよびコールセンター

## AP の設置



メモ: すべての Dell 製品に対するサービスは、トレーニングを受けたサービス担当者が実施する必要があります。

### 一体型壁掛けスロットの使用

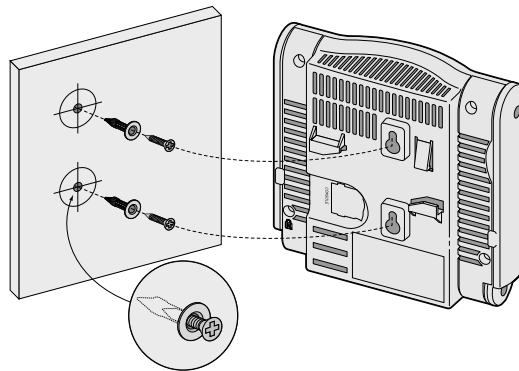
AP の背面にある鍵穴型のスロットを使用して、デバイスを室内壁または棚に垂直に取り付けることができます。設置位置を選択する際は、ユニットの右側にケーブルを敷設するためのスペースがあることを確認してください。



メモ: 製品の寸法については、本書の「製品仕様」を参照してください。ユニットの右側にケーブルを敷設するために 5 cm のスペースが必要です。また、アンテナのアーティキュレーション用に十分なスペースがあることを確認してください。

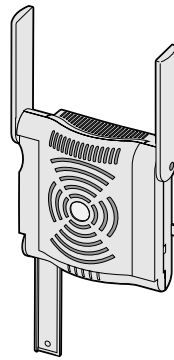
1. 設置場所の壁または棚に 4.7 cm の間隔で 2 本のネジを取り付けます。デバイスを乾式壁に取り付ける場合、Dell は壁用の適切なアンカー（別売り）を使用することをお勧めします。
2. AP の背面の取り付けスロットをネジに合わせて、ユニットを取り付けます (図 2 を参照)。

図 2 壁面への W-AP120 シリーズアクセスポイントの設置



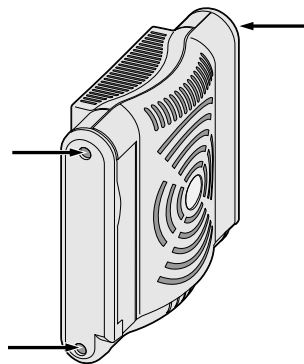
3. W-AP121 または W-AP125 の場合、アンテナの方向を調整します。最高のパフォーマンスを得るには、アンテナが垂直に向くように調整します。壁面に水平に同じ面に調整することが理想的です (図 3 を参照)。

図 3 壁掛け時の W-AP121/W-AP125 のアンテナの向き



W-AP120 または W-AP124 の場合、メーカーのドキュメントを参照して外部アンテナを設置し、AP のアンテナインターフェイスにアンテナを接続します (図 4 を参照)。

図 4 W-AP120/W-AP124 のアンテナインターフェイス



### 一体型天井タイルレールスロットの使用

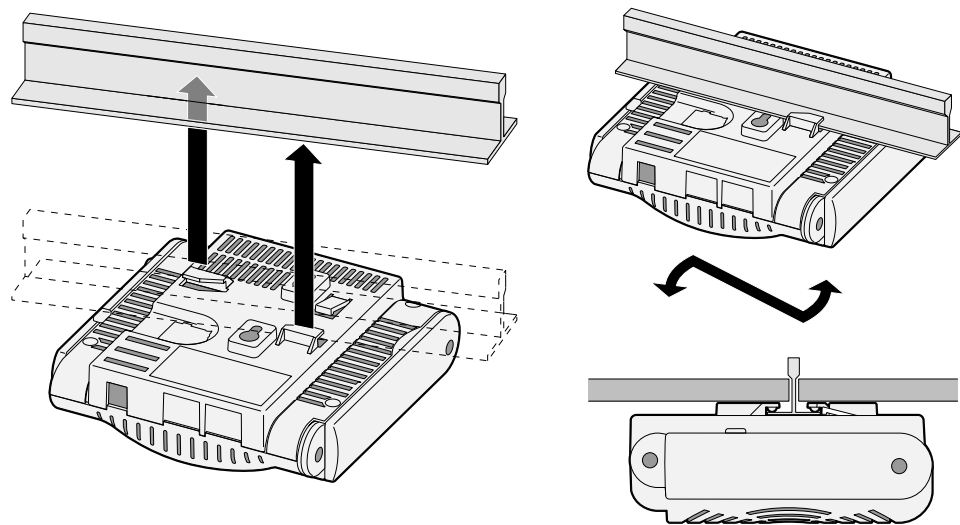
AP の背面にあるスナップイン式のタイルレールスロットを使用して、15/16" 幅の標準の天井タイルレールにデバイスを直接取り付けすることができます。



**注意:** デバイスを天井に取り付ける際は、AP が天井タイルレールに確実に固定されることを確認してください。設置が不適切な場合、人や機器の上にデバイスが落下する危険があります。

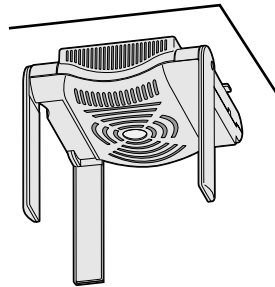
1. AP の設置場所の近くに穴を開けて必要なケーブルを敷設します。
2. 必要に応じて、コンソールケーブルを AP 背面のコンソールポートに接続します。
3. 天井タイルレールに対して約 30 度の角度で AP の天井タイルレール取り付けスロットを合わせます (図 5 を参照)。ケーブルは天井タイルの上でたるませます。

図5 天井タイルレール取り付けスロットの向き



4. 天井タイルに向かって AP を時計回りに回転させ、デバイスを天井タイルレールに固定します。
5. W-AP121 または W-AP125 の場合、アンテナの方向を調整します。最高のパフォーマンスを得るために、AP 本体に対して垂直になるようにアンテナを設定します (図6を参照)。

図6 天井取り付け時の W-AP121/W-AP125 のアンテナの向き



W-AP120 または W-AP124 の場合、メーカーのドキュメントを参照して外部アンテナを設置し、AP のアンテナインターフェイスにアンテナを接続します (図4を参照)。

## 必要なケーブルの接続

該当する規制および慣習に従ってケーブルを設置します。

### イーサネットポート

RJ45 イーサネットポート (ENET0 および ENET1) は、100/1000Base-T 自動検出 MDI/MDX 接続をサポートします。これらのポートを使用して、AP をツイストペアイーサネット LAN セグメントに接続するか、直接 Dell コントローラに接続します。最長 100 m の 4 または 8 コンダクタ、カテゴリ 5 UTP ケーブルを使用してください。

**メモ:** Dell W-AP120 シリーズ AP は、IEEE 802.3.af、Power over Ethernet で定義されている Environment A での設置のみを目的としています。相互接続された機器に関連付けられた LAN 接続を始めとして、相互接続されたすべての機器は同じ建物内に含まれている必要があります。



100/1000 Mbps イーサネットポートは、AP の底部にあります。これらのポートには、表 1 に示すピン出力の RJ-45 メスコネクタがあります。

**表 1** イーサネットポート ENET0 および ENET1 のコネクタ

コネクタ	ピン	信号名	GE 接続	FE 接続	PoE
	1	BI_DA+	双方向性ペア A+	RX+	POE (-)
	2	BI_DA-	双方向性ペア A-	RX-	POE (-)
	3	BI_DB+	双方向性ペア B+	TX+	POE (+)
	4	BI_DC+	双方向性ペア C+	スペアペア	POE (+)
	5	BI_DC-	双方向性ペア C-	スペアペア	POE (+)
	6	BI_DB-	双方向性ペア B-	TX-	POE (+)
	7	BI_DD+	双方向性ペア D+	スペアペア	POE (-)
	8	BI_DB-	双方向性ペア D-	スペアペア	POE (-)

### シリアルコンソールポート

シリアルコンソールポートを使用すると、AP をシリアルターミナルまたはラップトップに接続して、直接ローカル接続を行うことができます。このポートは、表 2 に示すピン出力のある RJ-45 メスコネクタです。次のいずれかの方法で、このポートを接続します。

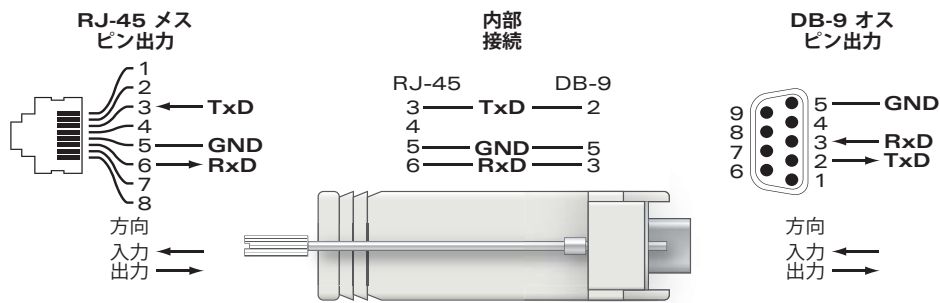
- イーサネットケーブルを使用してターミナルまたはターミナルサーバーに直接接続します。
- AP の RJ-45 (メス) コネクタを DB-9 (オス) コネクタに変換するモジュラコネクタを使用して、RS-232 ケーブルでアダプタをラップトップに接続します。アダプタのコネクタの詳細については、図 7 を参照してください。

**表 2** シリアルコンソールポートのコネクタ

コネクタ	ピン	信号名	機能
	3	TXD	伝送
	4	GND	GND
	5	GND	GND
	6	RXD	受信

表記されていないピンは接続されません。

図7 RJ-45（メス）からDB-9（オス）へのモジュラアダプタ変換



## 電源接続

W-AP120 シリーズ AP には、AC-DC 電源アダプタによる給電を行うための 5V DC 電源ソケットがあります。

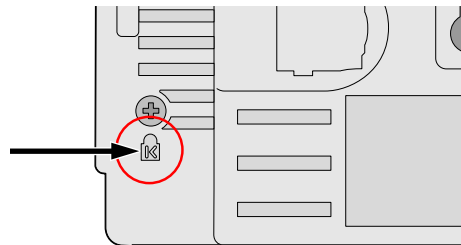


メモ: POE と DC 電源が両方とも使用可能な場合、POE 電圧が AP の給電に十分でない場合でも AP では POE が使用されます。

## セキュリティケーブルの接続

W-AP121 または W-AP125 に追加のセキュリティを施す場合、ユニットの背面にセキュリティケーブルを接続することができます（図8を参照）。

図8 セキュリティロック接続



## 設置後の接続の確認

AP に組み込まれた LED を使用して、AP に給電が行われていること、および初期化が正常に行われていることを確認できます（表3を参照）。設置後のネットワーク接続の確認の詳細については、『ArubaOS Quick Start Guide』を参照してください。

LED	色/状態	意味
PWR	緑の点灯	給電中、デバイス使用可能
	緑の点滅	システム初期化中
	赤の点灯	システム初期化失敗。TAC に連絡してください。

LED	色/状態	意味
ENET 0 (100/1000 Mbps)	緑/黄色の消灯	リンクなし
	緑の点灯	1000 Mbps リンク
	黄色の点灯	100 Mbps リンク
	緑/黄色の点滅	データアクティブアクティビティ
ENET 1 (100/1000 Mbps)	緑/黄色の消灯	リンクなし
	緑の点灯	1000 Mbps リンク
	黄色の点灯	100 Mbps リンク
	緑/黄色の点滅	データアクティブアクティビティ
11A/N	黄色	ワイヤレスリンクはレガシ 11a
	緑	ワイヤレスリンクは 11n (5 GHz 帯域幅)
11B/G/N	黄色	ワイヤレスリンクはレガシ 11b または 11g
	緑	ワイヤレスリンクは 11n (2.4 GHz 帯域幅)

## W-AP120 の設定

### AP のプロビジョニング/再プロビジョニング

プロビジョニングパラメータは、AP ごとに一意です。これらのローカル AP パラメータはコントローラで初期設定されていて、AP にプッシュされ、AP 自身に保存されます。Dell は、プロビジョニング設定は、ArubaOS Web UI からのみ行うことをお勧めします。詳細については、『ArubaOS User Guide』を参照してください。

### AP 設定

設定パラメータはネットワークまたはコントローラに固有で、コントローラ上で設定および保存されます。ネットワーク設定は AP にプッシュされますが、コントローラに保存されたまま維持されます。

設定は、ArubaOS Web UI、ArubaOS CLI f、または Aruba MMS から行うことができます。詳細については、『ArubaOS User Guide』を参照してください。

## 製品仕様

### 機械部

- 寸法（アンテナ格納時）（高 x 幅 x 奥行）：
  - 4.9 インチ x 5.13 インチ x 2 インチ
  - 12.4 cm x 13 cm x 5.1 cm
- 重量：15 oz/0.42 kg
- 出荷時の寸法
  - 9.5 インチ x 7.25 インチ x 4.5 インチ
  - 24.1 cm x 18.4 cm x 11.4 cm

- 動作温度
  - 使用時：0°C ~ 50°C (32°F ~ 122°F)
  - 保管時：10°C ~ 70°C (14°F ~ 158°F)



**メモ:** 通常運用時、W-AP120 シリーズは、80°C (176°F) 近くでも機能します。これは、予期された動作温度の範囲内です。

- 相対湿度：5% ~ 95% (結露なし)
- 高度：28°C (82.4°F) で 2,500 km (8,000 フィート)
- 取り付け：壁面、天井、またはデスクトップに取り付け可能
- アンテナ：
  - 3つの一体型アーティキュレーションデュアルバンドエレメント (W-AP121、W-AP125)
  - 外付けアンテナ用の3つの RP-SMA インターフェイス (W-AP120、W-AP124)
- 視覚的なステータスインジケータ (LED)：表 3 を参照

## 電子部

- イーサネット：
  - 2つの 100/1000 Base-T 自動検出イーサネット RJ-45 インターフェイス
  - MDI/MDX
  - IEEE 802.3 (10Base-T)、IEEE 802.3u (100Base-T)、IEEE 802.3ab (1000Base-T)
  - Power over Ethernet (IEEE 802.3af 準拠)、48V DC/350mA (ピン構成は表 1 を参照)
- 電源：
  - 5 V の DC 電源インターフェイス (AC-DC 電気アダプタによる給電をサポート)



**メモ:** 米国またはカナダで Dell から提供されているもの以外の電源アダプタを使用する場合は、cULus (NRTL) 規格に準拠した出力 5 V DC、最小 4A で、“LPS” または “Class 2” とマークされ、米国およびカナダの標準の電源コンセントに適したアダプタを使用してください。

- イーサネットポートの POE サポート：
  - 802.3af 準拠 POE 給電デバイス
  - POE+ (56 V、350 mA)

## ワイヤレス LAN

- ネットワーク標準：IEEE 802.11b、IEEE 802.11g、IEEE 802.11a、および IEEE 802.11n (ドラフト)
- アンテナのタイプ：
  - 一体型 802.11a/b/g/n オムニ高ゲインアンテナ
  - 取り外し可能な 802.11a/b/g/n オムニ高ゲインアンテナ
- アンテナゲイン (一体型アンテナ)：
  - 2.4 ~ 2.5 GHz/3.2 dBi (最大)
  - 5.180 ~ 5.825 GHz/5.2 dBi (最大)
- 無線テクノロジー：
  - 直交波周波数分割多重 (OFDM) 方式
  - 直接拡散 (DSSS) 方式

- 無線モジュレーションのタイプ：
  - 802.11b - CCK、BPSK、QPSK
  - 802.11g - CCK、BPSK、QPSK、16-QAM、64-QAM
  - 802.11a - BPSK、QPSK、16-QAM、64-QAM
  - 802.11n ドラフト 2.0
- メディアアクセス制御：CSMA/CA (ACK あり)
- サポートされる周波数帯域 2.4GHz：
  - 2.400 ~ 2.4835GHz (グローバル)、チャンネルは国固有
- サポートされる周波数帯域 5GHz：
  - 5.150 ~ 5.250GHz (低帯域幅)、国固有
  - 5.250 ~ 5.350GHz (中帯域幅)、国固有
  - 5.470 ~ 5.725GHz (ヨーロッパ)、国固有
  - 5.725 ~ 5.825GHz (高帯域幅)、国固有

802.11b	802.11g	802.11a	802.11n
米国、カナダ 11	米国、カナダ 11	米国、カナダ 12	<< NEED >>
ETSI 13	ETSI 13	ETSI (最大 19)	<< NEED >>
日本 14	日本 13	日本 4	<< NEED >>
台湾 11	台湾 11	台湾 7	<< NEED >>

- データレート：
  - 802.11b - 1、2、5.5、11 Mbps (チャンネルごと)
  - 802.11g - 6、9、12、18、24、36、48、および 54 Mbps (チャンネルごと)
  - 802.11a - 6、9、12、18、24、36、48、および 54 Mbps (チャンネルごと)
  - 802.11n - データレート MCS0 - MCS15 (6.5 Mbps ~ 300 Mbps)

## Dell 製機器の適切な廃棄

Global Environmental Compliance および Dell 製品に関する最新情報については、本製品に含まれる『Dell PowerConnect W-Series Safety, Environmental, and Regulatory Information』または [www.dell.com](http://www.dell.com) を参照してください。

### 欧州連合 RoHS

**RoHS**

Aruba 製品は、EU Restriction of Hazardous Substances Directive 2002/95/EC (RoHS) にも準拠しています。EU RoHS は、電気機器および電子機器の製造における特定の危険物質の使用を制限する指令です。特に、RoHS 指令で制限されている物質は、鉛 (印刷基盤アセンブリで使用されるはんだを含む)、カドミウム、水銀、六価クロム、およびブロムです。一部の Aruba 製品は、RoHS 指令の付録 7 に記載されている例外の対象です (印刷基盤アセンブリで使用されるはんだの鉛)。左側に示す “RoHS” のラベルが添付された製品およびパッケージは、この指令に準拠していることを示します。

## バッテリーの交換



**注意:** Dell 製品に含まれているバッテリーは、資格を有する Dell サービス担当者が交換する必要があります。バッテリーを交換する際は、Dell に連絡してください。バッテリーは自分で交換しないでください。間違った種類のバッテリーを取り付けると爆発する危険性があります。バッテリーを廃棄する際は適切な指示に従ってください。

## 安全性および規制準拠

Dell は、国固有の規制および追加の安全性と規制情報を含む多言語ドキュメントをすべての Dell ハードウェア製品で提供しています。『Dell PowerConnect W-Series Safety, Environmental, and Regulatory Information』ドキュメントは、本製品に含まれています。



**注意:** RF 放射に関する声明: 本製品は、FCC RF 放射制限に準拠しています。本製品を 2.4 GHz および 5 GHz で運用する場合、放射体とユーザーの身体との距離は 35 cm (13.78 インチ) 以上にしてください。このトランスミッターは、その他のアンテナまたはトランスミッターと一緒に設置または運用しないでください。5.15 ~ 5.25 GHz の周波数で運用する場合、移動体衛星システムとの有害な干渉を軽減するために、このデバイスは室内での使用に制限されます。

## 韓国の無線装置に関する警告通知

Radio Equipment for the radio data communication system

**\*\* Warning Notice \*\***

For a radio equipment using 2400~2483.5MHz or 5725~5825MHz, the following two expression should be displayed ;

1. Indicate following expression on the product where is easy to see : "This radio equipment can be crossed during operation."

당해 무선설비는 운용 중 전파혼신 가능성이 있음

당해 무선설비는 운용 중 전파혼신 가능성이 있음

2. The manufacturer and installer should fully inform the operator or users "This radio equipment cannot provide a service relevant to the human life safety, as it can be crossed" through the user manual etc.

당해 무선설비는 전파혼신 가능성이 있으므로 인명안전과 관련된 서비스는 할 수 없습니다.

당해 무선설비 전파혼신 가능성이 있으므로 인명안전과 관련된 서비스는 할 수 없습니다.

## 著作権情報

© 2010 Aruba Networks, Inc. AirWave®, Aruba Networks®, Aruba Mobility Management System®, Bluescanner, For Wireless That Works®, Mobile Edge Architecture®, People Move. Networks Must Follow®, RFprotect®, The All Wireless Workplace Is Now Open For Business, Green Island, and The Mobile Edge Company® およびその他の登録商標は、Aruba Networks, Inc. の商標です。Dell™、DELL™ ログ、および PowerConnect™ は Dell Inc. の商標です。

All rights reserved. 本書に記載された仕様は、予告なく変更されることがあります。

米国製。本書に記載されているその他の商標は、それぞれの所有者に帰属します。

## オープンソースコード

一部の Aruba 製品には、GNU General Public License (GPL)、GNU Lesser General Public License (LGPL)、およびその他のオープンソースライセンスの対象となるソフトウェアコードを含むサードパーティ製のオープンソースソフトウェアコードが含まれています。使用されているオープンソースコードは、以下のサイトで参照できます。

[http://www.arubanetworks.com/open\\_source](http://www.arubanetworks.com/open_source)

## 法的通知

個人または企業による Aruba Networks, Inc. スイッチングプラットフォームおよびソフトウェアの使用によって生じるその他のベンダの VPN クライアントデバイスが排除された場合、このアクションに対するその個人または企業の責任の完全な受諾を伴い、これらのベンダの代理として著作権の侵害に関して Aruba Networks, Inc. に対して適用される可能性のあるすべての合法的なアクションを補償するものとします。

## 保証

このハードウェア製品は、Aruba の 1 年間の標準保証によって保護されています。詳細については、ARUBACARE SERVICE AND SUPPORT TERMS AND CONDITIONS を参照してください。

このデバイスを改造した場合（色を塗った場合など）は保証の対象外となります。





# Dell PowerConnect W-AP120 시리즈 AP

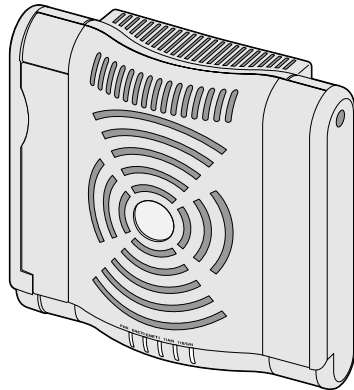
## 설치 안내서

Dell W-AP120 시리즈 무선 액세스 포인트는 고성능 WLAN의 최신 IEEE 802.11n(현재 초안 2.0) 표준을 지원합니다. 이러한 액세스 포인트는 MIMO(Multiple-in, Multiple-out) 기술과 기타 고처리율 모드 기술을 사용하여 고성능의 802.11n 2.4 GHz 및 5GHz 기능을 제공하는 동시에 기존의 802.11a/b/g 무선 서비스를 지원합니다. W-AP120 시리즈 액세스 포인트는 외장형 안테나를 지원하는 단일 또는 이중 무선 및 내장형 안테나 또는 RP-SMA 인터페이스를 갖춘 버전에 사용할 수 있습니다. W-AP120 시리즈는 Dell 컨트롤러와 함께 사용하는 경우에만 작동합니다.

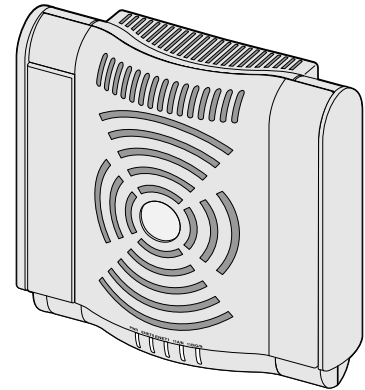
Dell W-AP120 시리즈 액세스 포인트는 다음과 같은 기능을 제공합니다.

- 무선 트랜시버
- 프로토콜 독립적인 네트워킹 기능
- 무선 액세스 포인트로 IEEE 802.11a/b/g 또는 802.11n 작동
- 무선 에어 모니터로 IEEE 802.11a/b/g 또는 802.11n 작동
- IEEE 802.3af PoE와의 호환뿐만 아니라, 진행중인 표준화(PoE +/802.3at)를 통한 고전원 제공
- Dell 컨트롤러를 이용한 중앙 관리 구성 및 업그레이드
- 컨트롤러 라이선스를 통해 W-AP120 시리즈 a/b/g 모델을 802.11n(초안) 준수로 업그레이드

### 그림 1 W-AP120 시리즈 액세스 포인트



W-AP120/W-AP124  
(외장 안테나용 RP-SMA 인터페이스 3개)



W-AP121/W-AP125  
(듀얼 밴드 내장 안테나 3개)

## 패키지 내용물

- AP-120 시리즈 액세스 포인트
- 설치 안내서(본 문서)



**참고:** 잘못되었거나 누락되었거나 손상된 부분이 있는 경우 공급업체에 알려 주십시오. 가능하면 원래 포장 재료뿐만 아니라 상자도 보관해 두십시오. 필요한 경우 이를 사용하여 장비를 다시 포장하고 공급업체에 반환하십시오.



**참고:** W-AP120 시리즈 액세스 포인트에 사용하기 위한 추가 장착 키트는 별매입니다. 자세한 내용은 Dell 영업 담당자에게 문의하십시오.

# 시작하기 전에

## WLAN 설계

무선 네트워크 배치에 필요한 Dell AP의 개수와 설치할 장소를 결정합니다. Dell의 자동 RF Plan Site-Survey 소프트웨어(별매)를 사용하면 이 설계를 쉽게 할 수 있습니다. 이 프로세스를 WLAN 또는 RF 설계라 하며 마스터 Dell 컨트롤러를 설치하고 구성하는 동안 완료해야 합니다. 일반적인 Dell 설치에서는 AP 전에 컨트롤러를 구성하고 설치합니다.

WLAN 설계를 위해 *Indoor Access Points: Site Survey and Planning Pre-Deployment Guide*와 *RF Plan Installation and User Guide*를 참조하십시오.

## 설치 전 네트워크 요구 사항

WLAN 설계를 완료하고 적절한 제품과 배치를 결정한 후에 Dell 액세스 포인트를 배치하기 전에 Dell 컨트롤러를 설치하고 초기 설치를 수행해야 합니다.

컨트롤러를 처음 설치하는 경우 사용 중인 컨트롤러에 설치된 소프트웨어 버전은 *Quick Start Guide*를 참조하십시오.

## 설치 전 체크리스트

W-AP120 시리즈 액세스 포인트를 설치하기 전에 다음 사항을 확인하십시오.

- W-AP120/W-AP124의 경우 네트워크 배치 설계에 따라 지정된 외부 안테나
- 필요한 길이의 CAT5 UTP 케이블
- 다음 전원 중 하나:
  - 이더넷 전원 장치(PoE) 소스에서 IEEE 802.3af 호환 전원
  - W-AP120/W-AP121의 경우 모든 기능 지원, W-AP124/W-AP125의 경우 축소된 기능 지원
  - 56볼트 @ 350mA에서 IEEE 이더넷 전원 장치 + (PoE+) 소스 출력
  - POE 소스는 전원 장비(PSE) 컨트롤러 또는 미드스팬 PSE 장치가 될 수 있음
  - Dell AP AC-DC 어댑터 키트(별매)
- 네트워크에 프로비전된 Dell 컨트롤러:
  - 액세스 포인트에 레이어 2/3 네트워크 연결
  - 다음 네트워크 서비스 중 하나:
    - Aruba Discovery Protocol(ADP)
    - “A” 레코드가 있는 DNS 서버
    - 벤더 특정 옵션이 있는 DHCP 서버

## 설치 프로세스 요약



**참고:** W-AP120 시리즈 AP를 설치하기 전에 [설치 전 체크리스트](#)에 나열된 항목을 확인하는 것이 중요합니다.

AP-120 시리즈 액세스 포인트의 성공적인 설치에는 5가지 작업으로 구성되며 다음 순서로 수행해야 합니다.

1. 설치 전 연결을 확인합니다.
2. 각 AP의 특정 설치 위치를 파악합니다.
3. 각 AP를 설치합니다.
4. 설치 후 연결을 확인합니다.

## 5. 각 AP를 구성합니다.



**참고:** 정부 요구 사항에 따라 Dell의 AP-120 시리즈 액세스 포인트는 승인된 네트워크 관리자만 설정을 변경할 수 있도록 설계했습니다. AP 구성에 대한 자세한 내용은 *ArubaOS Quick Start Guide* 및 *Aruba OS User Guide*를 참조하십시오.



**주의:** 액세스 포인트는 무선 송신 장비이며 정부 규정을 따릅니다. 액세스 포인트의 구성과 작동을 담당하는 네트워크 관리자는 지역 방송 규정을 준수해야 합니다. 특히 액세스 포인트는 액세스 포인트를 사용할 위치에 적합한 채널 할당을 사용해야 합니다.

## 설치 전 연결 확인

네트워크 환경에 AP를 설치하기 전에 AP의 전원을 켜고 컨트롤러를 찾아 연결할 수 있는지 확인하십시오. 특히 다음 조건을 확인해야 합니다.

- 네트워크에 연결했을 때 각 AP에 유효한 IP 주소가 할당되는지 여부
- AP가 컨트롤러를 찾을 수 있는지 여부

컨트롤러를 찾고 연결하는 지침은 *Quick Start Guide*를 참조하십시오.

## 특정 설치 위치 식별

벽이나 천장에 AP-120 시리즈 액세스 포인트를 장착할 수 있습니다. Dell의 RF Plan 소프트웨어 애플리케이션에서 생성된 AP 배치 지도를 사용하여 적절한 설치 위치를 결정하십시오. 각 위치는 가능하면 통신 가능 구역의 가운데에 있어야 하며 장애물이나 명백한 방해물이 없어야 합니다. 이러한 RF 흡수/반사/방해물은 RF 전달에 영향을 미치고 설계 단계에서 이를 고려하여 RF 설계에 적용해야 합니다.

### 확인되지 않은 알려진 RF 흡수/반사/장애물

설치 단계 중 현장에서 알려진 RF 흡수, 반사 및 장애물을 식별하는 것이 중요합니다. AP를 고정 위치에 연결할 때 이러한 물체를 고려해야 합니다.

RF 흡수체:

- 시멘트/콘크리트: 오래된 콘크리트는 다량의 물이 손실되어 콘크리트가 건조되어, RF 전달을 흡수할 수 있습니다. 새로운 콘크리트는 콘크리트 내에 다량의 물이 함유되어 있어 RF 신호를 차단합니다.
- 자연물: 어항, 분수, 연못 및 나무
- 벽돌

RF 반사체:

- 금속: 바닥 사이의 금속 팬, 철근, 방화문, 에어컨/난방 배관, 그물망, 블라인드, 철망 울타리(구멍 크기에 따라 다름), 냉장고, 랙, 선반 및 파일 캐비닛
- 에어컨/난방 배관 사이에 AP를 배치하지 마십시오. RF 방해물을 방지하기 위해 배관 아래에 AP가 설치되었는지 확인하십시오.

RF 방해물:

- 전자레인지 및 기타 2.4 또는 5GHz 물체(예: 무선 전화기)
- 식당 및 무선 헤드셋이 있는 콜센터

# AP 설치



**참고:** 모든 Dell 제품의 서비스는 숙련된 서비스 직원만 수행해야 합니다.

## 벽면 내장 장착 슬롯 사용

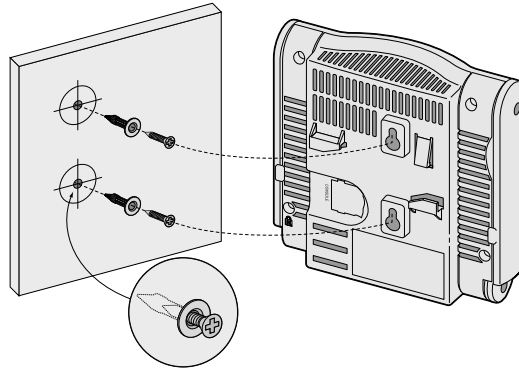
AP 뒤에 있는 키구멍 모양의 슬롯은 실내의 벽이나 선반에 장비를 똑바로 세워 연결하는 데 사용할 수 있습니다. 장착 위치를 선택할 때 장비 오른쪽에 케이블을 위한 여분의 공간을 확보하십시오.



**참고:** 제품 치수는 이 안내서의 **제품 사양**을 참조하십시오. 설치된 장비 오른쪽에 케이블을 위한 5cm (2인치)의 여유 공간을 확보하고 안테나 명로도를 위한 충분한 공간이 있는지 확인하십시오.

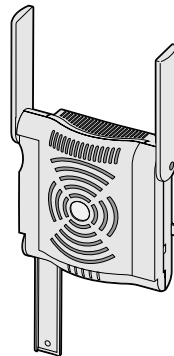
1. 장착 위치의 벽 또는 선반에 4.7cm(1 7/8인치) 떨어진 곳에 두 개의 나사를 설치합니다. Dell 장비를 석고 보드 벽에 부착하는 경우 적절한 벽 앵커(미포함)를 사용하는 것이 좋습니다.
2. 나사를 AP의 뒤에 장착 슬롯에 정렬하여 고정될 때까지 밀어 넣습니다(**그림 2** 참조).

**그림 2** 벽에 W-AP120 시리즈 액세스 포인트 설치



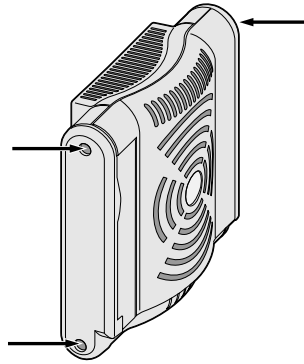
3. W-AP121 또는 W-AP125에서 안테나 방향을 맞춥니다. 최적의 성능을 얻으려면 같은 평면에서 벽에 평행하게 수직 방향이 되도록 안테나를 돌립니다(**그림 3** 참조).

**그림 3** 벽면 장착 W-AP121/W-AP125의 안테나 방향



W-AP120 또는 W-AP124에서 제조업체 지침에 따라 외부 안테나를 설치하고, 안테나를 AP의 안테나 인터페이스에 연결합니다(**그림 4** 참조).

그림 4 W-AP120/W-AP124의 안테나 인터페이스



### 천장 타일 내장 레일 슬롯 사용

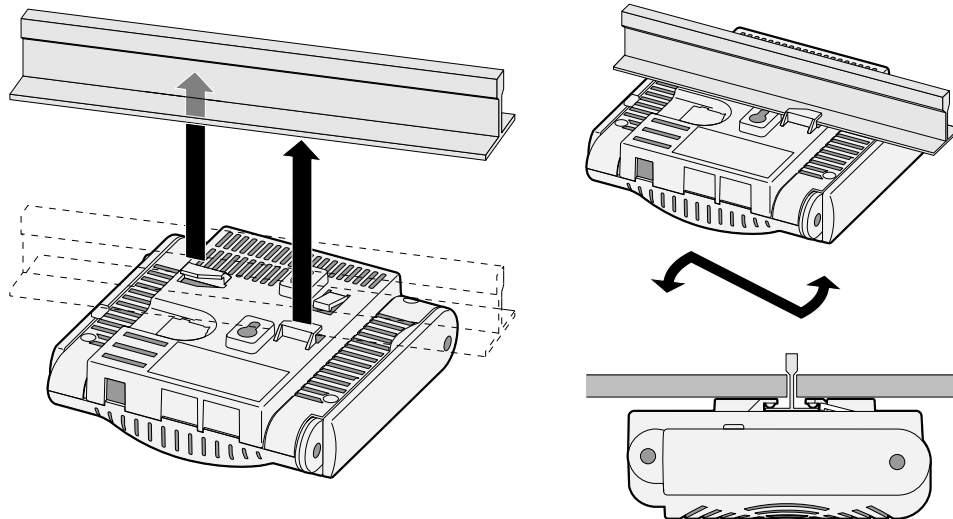
AP 뒷면의 스냅인 타일 레일 슬롯은 장비를 15/16" 폭의 표준 천장 타일 레일에 직접 부착하여 안전하게 사용할 수 있습니다.



**주의:** 잘못 설치할 경우 사람이나 장비에 떨어질 수 있으므로 천장에 장비를 걸 때 AP를 천장 타일 레일에 단단히 고정해야 합니다.

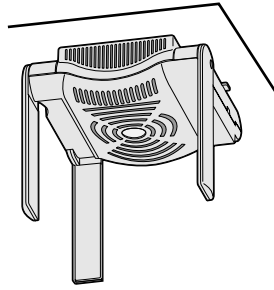
1. AP를 설치할 천장 타일 주변에 미리 설계한 구멍을 통해 필요한 케이블을 당겨 꺼냅니다.
2. 필요할 경우 AP의 뒤에 있는 콘솔 케이블을 콘솔 포트에 연결합니다.
3. 천장 타일 레일에 약 30도 각도로 천장 타일 레일 장착 슬롯을 사용하여 천장 타일 레일에 끼웁니다(그림 5 참조). 남은 케이블은 케이블 타일 위에 오도록 합니다.

그림 5 천장 타일 레일 장착 슬롯 방향



4. 천장 타일 쪽으로 밀어 장비가 천장 레일에 딸카하고 걸릴 때까지 AP를 시계 방향으로 돌립니다.
5. W-AP121 또는 W-AP125에서 안테나 방향을 맞춥니다. 최상의 결과를 위해 안테나가 수직이 되도록 돌립니다(AP 본체에 수직) (그림 6 참조).

**그림 6** 천장 장착 W-AP121/W-AP125의 안테나 방향



W-AP120 또는 W-AP124에서 제조업체 지침에 따라 외부 안테나를 설치하고, 안테나를 AP의 안테나 인터페이스에 연결합니다(그림 4 참조).

## 필요한 케이블 연결

해당 지역 및 미국내 모든 규정과 관례에 따라 케이블을 설치합니다.

## 이더넷 포트

RJ45 이더넷 포트(ENET0 및 ENET1)는 100/1000Base-T 자동 감지 MDI/MDX 연결을 지원합니다. 이 포트를 사용하여 AP를 연선 이더넷 LAN 세그먼트 또는 직접 Dell 컨트롤러에 연결합니다. 최대 100m(325 피트) 길이의 4 또는 8 컨덕터, CAT 5 UTP 케이블을 사용합니다.



**참고:** Dell W-AP120 시리즈 AP는 IEEE 802.3.af, 이더넷 전원 장치에 정의된 대로 환경 A에만 설치됩니다. 모든 상호 연결된 장비는 상호 연결된 장비의 관련 LAN 연결을 포함하여 같은 건물 내에 있어야 합니다.

100/1000 Mbps 이더넷 포트는 AP 옆면에 있습니다. 이 포트는 표 1과 같이 핀이 배열된 RJ-45 암 커넥터가 있습니다.

**표 1** 이더넷 포트 ENET0 및 ENET1용 커넥터

커넥터	핀	신호 이름	GE 연결	FE 연결	PoE
	1	BI_DA+	양방향 쌍 A+	RX+	POE -
	2	BI_DA-	양방향 쌍 A-	RX-	POE -
	3	BI_DB+	양방향 쌍 B+	TX+	POE +
	4	BI_DC+	양방향 쌍 C+	예비 쌍	POE +
	5	BI_DC-	양방향 쌍 C-	예비 쌍	POE +
	6	BI_DB-	양방향 쌍 B-	TX-	POE +
	7	BI_DD+	양방향 쌍 D+	예비 쌍	POE -
	8	BI_DB-	양방향 쌍 D-	예비 쌍	POE -

## 시리얼 콘솔 포트

시리얼 콘솔 포트를 사용하면 직접 로컬 관리를 위해 AP를 시리얼 터미널 또는 랩톱에 연결할 수 있습니다. 이 포트는 표 2에 설명한 핀 배열을 가진 RJ-45 암 커넥터입니다. 다음 방법 중 하나로 이 포트를 연결합니다.

- 이더넷 케이블을 사용하여 터미널 또는 터미널 서버에 직접 연결합니다.

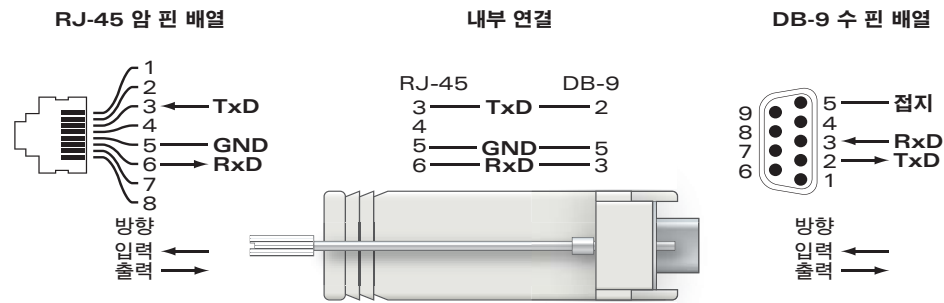
- 모듈 어댑터를 사용하여 AP의 RJ-45(암) 커넥터를 DB-9(수) 커넥터로 전환하고 RS-232 케이블을 사용하여 어댑터를 랩톱에 연결합니다. 어댑터의 커넥터 세부 사항은 [그림 7](#)을 참조하십시오.

**표 2** 시리얼 콘솔 포트용 커넥터

커넥터	핀	신호 이름	기능
	3	TXD	송신
	4	GND	접지
	5	GND	접지
	6	RXD	수신

나열되지 않은 핀은 연결되지 않습니다.

**그림 7** RJ-45(암)를 DB-9(수)로 모듈 어댑터 전환



## 전원 연결

W-AP120 시리즈 AP에는 AC-DC 주 전원 어댑터를 통한 전원을 지원하기 위해 단일 5V DC 전원 잭 소켓이 있습니다.

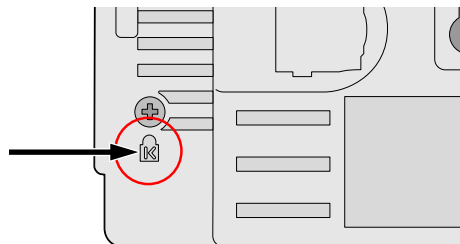


**참고:** POE 및 DC 전원 모두 사용할 수 있는 경우 AP 전원을 공급할 수 있는 POE 전압이 충분하지 않더라도 AP는 POE를 사용합니다.

## 보안 케이블 연결

W-AP121 또는 W-AP125의 추가 보안을 제공하기 위해 장치 뒤에 보안 케이블을 연결할 수 있습니다([그림 8](#) 참조).

**그림 8** 보안 잠금 연결



## 설치 후 연결 확인

AP의 내장 LED는 현재 AP가 전원을 수신하고 성공적으로 초기화되는지 확인하는 데 사용할 수 있습니다 (표 3 참조). 설치 후 네트워크 연결을 확인하는 자세한 내용은 *ArubaOS Quick Start Guide*를 참조하십시오.

LED	색상/상태	의미
PWR	녹색 켜짐	전원 켜짐, 장비 준비 완료
	녹색 점멸	시스템 초기화 중
	빨간색 켜짐	시스템 초기화 실패, TAC에 연락하십시오.
ENET 0 (100/1000Mbps)	녹색/황색 꺼짐	링크 없음
	녹색 켜짐	1000Mbps 링크
	황색 켜짐	100Mbps 링크
	녹색/황색 깜박임	데이터 활동
ENET 1 (100/1000Mbps)	녹색/황색 꺼짐	링크 없음
	녹색 켜짐	1000Mbps 링크
	황색 켜짐	100Mbps 링크
	녹색/황색 깜박임	데이터 활동
11A/N	황색	무선 링크가 레거시 11a
	녹색	무선 링크가 11n 5Ghz 대역
11B/G/N	황색	무선 링크가 레거시 11b 또는 11g임
	녹색	무선 링크가 11n 2.4Ghz 대역임

## W-AP120 시리즈 구성

### AP 프로비저닝/리프로비저닝

프로비저닝 매개변수는 각 AP에 고유합니다. 이러한 로컬 AP 매개변수는 컨트롤러에서 초기에 구성되며 AP로 푸시되고 AP 자체에 저장됩니다. Dell은 프로비저닝 설정을 ArubaOS Web UI를 통해서만 구성할 것을 권장합니다. 전체 설명은 *ArubaOS User Guide*를 참조하십시오.

### AP 구성

구성 매개변수는 네트워크 또는 컨트롤러에 특정하며 컨트롤러에서 구성하고 저장합니다. 네트워크 구성 설정은 AP에 푸시되지만 컨트롤러에 저장되어 있습니다.

구성 설정은 ArubaOS Web UI, ArubaOS CLI 또는 Aruba MMS를 통해 구성할 수 있습니다. 자세한 내용은 해당 설명서인 *ArubaOS User Guide*를 참조하십시오.



# 제품 사양

## 기계적인 부분

- 치수(안테나 포함) (높이x폭x길이):
  - 4.9인치 x 5.13인치 x 2인치
  - 12.4cm x 13cm x 5.1cm
- 중량: 15oz/0.42kg
- 선적 치수:
  - 9.5인치 x 7.25인치 x 4.5인치
  - 24.1cm x 18.4cm x 11.4cm
- 온도:
  - 작동: 0°C ~ 50°C (32°F ~ 122°F)
  - 보관: -10°C ~ 70°C (14°F ~ 158°F)



**참고:** 정상적으로 작동하는 동안 W-AP120 시리즈 본체의 온도는 80°C(176°F)가 될 수 있습니다. 이는 작동 온도 범위 내에 있어야 합니다.

- 상대 습도: 5% ~ 95% 비응축
- 고도: 8,000피트 @ 28°C (82.4°F)
- 장착: 벽, 천장 또는 데스크탑에 장착 가능
- 안테나:
  - 내장 관절식 듀얼 밴드 안테나 요소 3개(W-AP121, W-AP125)
  - 외부 안테나용 RP-SMA 인터페이스 3개(W-AP120, W-AP124)
- 시각적 상태 표시등(LED): 표 3 참조

## 전기적인 부분

- 이더넷:
  - 2개의 100/1000 Base-T 자동 감지 이더넷 RJ-45 인터페이스
  - MDI/MDX
  - IEEE 802.3(10Base-T), IEEE 802.3u(100Base-T), IEEE 802.3ab(1000Base-T)
  - 이더넷 전원 장치(IEEE 802.3af 호환), 48V DC/350mA(핀 구성은 표 1 참조)
- 전원:
  - VDC 전원 인터페이스 5개, AC-DC 주전원 어댑터를 통해 전원 지원



**참고:** Dell에서 제공하는 둘 이상의 전원 어댑터를 미국 또는 캐나다에서 사용하는 경우 “LPS” 또는 “Class 2”로 표시된 출력 정격 5VDC, 최소 4A가 있는 cULus(NRTL) Listed여야 하며 미국과 캐나다에서 표준 전원 콘센트에 꽂을 수 있어야 합니다.

- 이더넷 포트에서 POE 지원:
  - 802.3af 호환 POE 소싱 장치
  - POE+ (56V @ 350mA)

## 무선 LAN

- 네트워크 표준: IEEE 802.11b, IEEE 802.11g, IEEE 802.11a 및 IEEE 802.11n(초안)
- 안테나 유형:
  - 내장형 802.11a/b/g/n 전방향 이득이 높은 안테나
  - 외장형 802.11a/b/g/n 전방향 이득이 높은 안테나
- 안테나 이득(내장형 안테나):
  - 2.4 – 2.5GHz/3.2dBi(최대)
  - 5.180 – 5.825GHz/5.2dBi(최대)
- 무선 기술:
  - 직교 주파수 분할 다중(OFDM)
  - 직접 시퀀스 확산 스펙트럼(DSSS)
- 무선 변조 유형:
  - 802.11b - CCK, BPSK, QPSK
  - 802.11g - CCK, BPSK, QPSK, 16-QAM, 64-QAM
  - 802.11a - BPSK, QPSK, 16-QAM, 64-QAM
  - 802.11n 초안 2.0
- 미디어 액세스 컨트롤: ACK를 사용한 CSMA/CA
- 지원되는 주파수 대역 2.4GHz:
  - 2.400 ~ 2.4835GHz(글로벌), 채널은 국가마다 다름
- 지원되는 주파수 대역 5GHz:
  - 5.150 ~ 5.250GHz(낮은 대역), 국가마다 다름
  - 5.250 ~ 5.350GHz(중간 대역), 국가마다 다름
  - 5.470 ~ 5.725GHz(유럽), 국가마다 다름
  - 5.725 ~ 5.825GHz(높은 대역), 국가마다 다름

802.11b	802.11g	802.11a	802.11n
미국, 캐나다 11	미국, 캐나다 11	미국, 캐나다 12	<< NEED >>
ETSI 13	ETSI 13	ETSI(최대 19)	<< NEED >>
일본 14	일본 13	일본 4	<< NEED >>
대만 11	대만 11	대만 7	<< NEED >>

- 데이터 속도:
  - 채널당 802.11b - 1, 2, 5.5, 11Mbps
  - 채널당 802.11g - 6, 9, 12, 18, 24, 36, 48 및 54Mbps
  - 채널당 802.11a - 6, 9, 12, 18, 24, 36, 48 및 54Mbps
  - 802.11n - 데이터 속도 MCS0 – MCS15(6.5Mbps부터 300Mbps까지)

## Dell 장비의 적절한 폐기

지구 환경 준수 및 Dell 제품에 대한 최신 정보는 이 제품에 포함된 *Dell PowerConnect W-Series Safety, Environmental, and Regulatory Information* 문서를 참조하거나 [www.dell.com](http://www.dell.com) 웹 사이트를 참조하십시오.

### EU RoHS

# RoHS

Aruba 제품은 EU RoHS(Restriction of Hazardous Substances Directive 2002/95/EC) 도 준수합니다. EU RoHS는 전기 및 전자 장비 제조업체에서 특정한 위험 물질의 사용을 제한합니다. 특히 RoHS 지침에서 제한하는 물질은 납(인쇄된 회로 어셈블리에서 사용하는 뿔납 포함), 카드뮴, 수은, 6가 크롬 및 브롬입니다. 일부 Aruba 제품은 RoHS 지침 Annex 7에 나열된 면제에 적용됩니다(인쇄 회로 어셈블리에 사용되는 뿔납의 납). 제품과 포장에는 왼쪽의 “RoHS” 레이블이 부착되어 있으며, 이는 지침에 대한 준수를 나타내는 것입니다.

### 배터리 교환



**주의:** Dell 제품에 포함된 배터리는 숙련된 Dell 서비스 직원만 교체할 수 있습니다. 배터리 교체는 Dell에 문의하십시오. 배터리 교환을 시도하지 마십시오. 다른 종류의 배터리를 설치하는 경우 폭발의 위험이 있습니다. 배터리는 지시에 따라 폐기하십시오.

## 안전 및 규정 준수

Dell은 모든 Dell 하드웨어 제품에 대한 국가 특정 제한 및 추가 안전과 규정 정보가 들어 있는 다국어 문서를 제공합니다. *Dell PowerConnect W-Series Safety, Environmental, and Regulatory Information* 문서는 본 제품에 포함되어 있습니다.



**주의:** RF 방사선 노출 성명서: 이 장비는 FCC RF 방사선 노출 제한을 준수합니다. 이 장비는 2.4GHz 및 5GHz 작동을 위해 방사기와 본체 사이를 최소 35cm(13.78인치)의 거리를 두고 설치하고 작동해야 합니다. 이 송신기는 다른 안테나 또는 송신기와 연동하여 같은 위치에 설치하거나 작동시켜서는 안 됩니다. 5.15 ~ 5.25GHz 주파수 범위에서 작동할 때, 이 장비는 공동 채널 Mobile Satellite System과의 유해한 방해 가능성을 줄이기 위해 실내 사용으로 제한됩니다.

## 한국 무선설비 경고

Radio Equipment for the radio data communication system

### \*\* Warning Notice \*\*

For a radio equipment using 2400~2483.5MHz or 5725~5825MHz, the following two expression should be displayed ;

1. Indicate following expression on the product where is easy to see : "This radio equipment can be crossed during operation."

당해 무선설비는 운용 중 전파혼신 가능성이 있음

당해 무선설비는 운용 중 전파혼신 가능성이 있음

2. The manufacturer and installer should fully inform the operator or users "This radio equipment cannot provide a service relevant to the human life safety, as it can be crossed" through the user manual etc.

당해 무선설비는 전파혼신 가능성이 있으므로 인명안전과 관련된 서비스는 할 수 없습니다.

당해 무선설비 전파혼신 가능성이 있으므로 인명안전과 관련된 서비스는 할 수 없습니다.

## 저작권

© 2010 Aruba Networks, Inc. AirWave®, Aruba Networks®, Aruba Mobility Management System®, Bluescanner, For Wireless That Works®, Mobile Edge Architecture®, People Move. Networks Must Follow®, RFprotect®, The All Wireless Workplace Is Now Open For Business, Green Island, and The Mobile Edge Company® 및 기타 등록 표시는 Aruba Networks, Inc. Dell™의 상표이며 DELL™ 로고 및 PowerConnect™는 Dell Inc의 상표입니다.

All rights reserved. 이 설명서의 사양은 통보 없이 변경될 수 있습니다.

미국에서 인쇄. 이 설명서에 나타나는 다른 모든 상표는 해당 소유자의 재산입니다.

## 오픈 소스 코드

특정 Aruba 제품에는 GNU General Public License(GPL), GNU Lesser General Public License(LGPL) 또는 기타 오픈 소스 라이선스에 적용되는 소프트웨어 코드를 포함하여 타사에서 개발된 오픈 소스 소프트웨어 코드가 포함되어 있습니다. 사용된 오픈 소스 코드는 다음 사이트에서 볼 수 있습니다.

[http://www.arubanetworks.com/open\\_source](http://www.arubanetworks.com/open_source)

## 법적 고지

모든 개인 또는 회사에서 다른 공급업체의 VPN 클라이언트 장치를 중단하기 위해 Aruba Networks, Inc.의 스위칭 플랫폼 및 소프트웨어를 사용하는 것은 이런 행동에 대해 개인 또는 회사가 전적으로 책임을 진다는 것을 수락하는 것이며 Aruba Networks, Inc.는 이러한 공급업체를 대신하여 저작권 위반에 관해 발생할 수 있는 모든 법적 소송으로부터 면책됩니다.

## 보증

이 하드웨어 제품은 표준 Aruba 보증에 따라 1년 부품/서비스가 보장됩니다. 자세한 내용은 ARUBACARE 서비스 및 지원 약관을 참조하십시오.

이 장치를 변경하면(예: 도장) 보증을 받으실 수 없습니다.



# Dell PowerConnect W-AP120 系列 AP

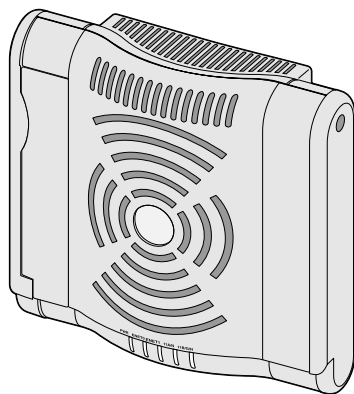
## 安裝指南

Dell W-AP120 系列無線接入點支援著名的、面對高效能 WLAN 的 IEEE 802.11n 標準（最新版本為 2.0 草案版）。這些接入點使用 MIMO（Multiple-in, Multiple-out，多重輸入多重輸出）技術及其他高吞吐量模式技術來實現高效能的 802.11n 准 2.4 GHz 和 5 GHz 功能，同時支援現有 802.11a/b/g 無線服務。W-AP120 系列接入點有採用單射頻或雙射頻的版本，還有採用整合式天線的版本，或採用支援可拆卸式天線的 RP-SMA 介面的版本。W-AP120 系列接入點隻與 Dell 控制器一起使用。

Dell W-AP120 系列接入點提供以下功能：

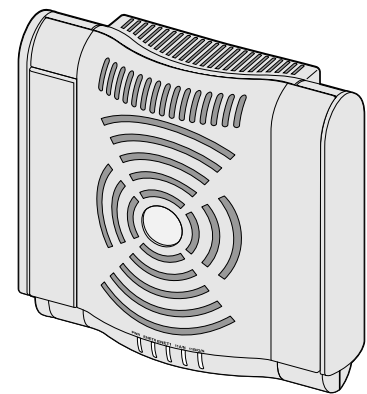
- 無線收發器
- 協定無關聯網功能
- IEEE 802.11a/b/g 或 802.11n 作為無線接入點執行
- IEEE 802.11a/b/g 或 802.11n 作為無線監測器執行
- 相容 IEEE 802.3af PoE 以及高功率乙太網路供電預備標準 (PoE + / 802.3at)
- 透過 Dell 控制器進行集中式管理、組態和升級
- 透過控制器許可證將 W-AP120 系列 a/b/g 型號升級，使之符合 802.11n（草案）標準

圖 1 W-AP120 系列接入點



W-AP120/W-AP124

（3 個用於可拆卸式天線的 RP-SMA 介面）



W-AP121/W-AP125

（3 個整合式雙頻天線）

## 包裝內容

- AP-120 系列接入點
- 安裝指南（本文件）



**注意：** 如果發現任何不正確、缺失或損壞的部件，請通知您的供應商。請盡可能保留包裝箱，包括原始包裝材料。必要時，可以利用這些材料重新包裝裝置，將其退回給供應商。



**注意：** 供與 W-AP120 系列接入點一起使用的額外安裝套件需另購。有關詳細資訊，請聯絡您的 Dell 銷售代表。

# 安裝開始前的準備工作

## WLAN 規劃

確定您的無線網路部署需要多少部 Dell AP，以及它們的安裝位置。您可以使用 Dell 的自動化射頻規劃現場勘驗軟體（需另購）輕鬆完成這項工作。此流程可看作是 WLAN 或射頻規劃，應在主 Dell 控制器安裝和組態期間完成。在典型的 Dell 安裝中，控制器的組態和安裝先於 AP。

要獲得 WLAN 規劃協助，請參閱 *室內接入點：現場勘驗和預部署規劃指南* 和 *射頻規劃安裝和使用者指南*。

## 安裝前的網路要求

WLAN 規劃完成，並且相應的產品及其位置確定後，必須安裝 Dell 控制器並執行初始設定，然後才能部署 Dell 接入點。

有關控制器的初始設定，請參閱與您控制器上安裝的軟體版本對應的 *ArubaOS 快速入門指南*。

## 安裝前核查清單

在安裝 W-AP120 系列接入點之前，請確保具備以下條件：

- 對於 W-AP120/W-AP124：網路部署規劃中規定的外部天線
- 所需長度的 CAT5 UTP 電纜
- 以下電源之一：
  - 符合 IEEE 802.3af 標準的乙太網路供電 (Power over Ethernet, PoE) 電源
  - 對於 W-AP120/W-AP121，支援全功能；對於 W-AP124/W-AP125，支援簡化功能
  - IEEE 乙太網路供電 + (PoE+) 電源在 350 毫安培下以 56 伏輸出
  - POE 電源可以是任何電源設備 (Power Source Equipment, PSE) 控制器或中跨 PSE 設備
  - Dell AP AC-DC 連接器套件（另售）
- 網路上置備的 Dell 控制器：
  - 第 2/3 層與接入點的網路連通性
  - 以下網路服務之一：
    - Aruba 發現合約 (Aruba Discovery Protocol, ADP)
    - 具有「A」記錄的 DNS 伺服器
    - 具有供應商特定選件的 DHCP Server

## 安裝過程摘要



**注意：** 請務必先確認 *安裝前核查清單* 下列出的項目，然後再嘗試設定和安裝 W-AP120 系列 AP。

成功安裝 AP-120 系列接入點需要完成五項任務，這些任務必須按以下順序執行：

1. 確認安裝前的連通性。
2. 確定每部 AP 的具體安裝位置。
3. 安裝每部 AP。
4. 確認安裝後的連通性。
5. 組態每部 AP。



**注意：** Dell 為遵守政府要求，對 AP-120 系列接入點進行了相應的設計，使得只有授權的網路管理員才能變更設定。有關 AP 組態的詳細資訊，請參閱 *ArubaOS 快速入門指南* 和 *ArubaOS 使用者指南*。



**小心：** 接入點是無線電傳輸裝置，因此會受到政府監管。負責組態和操作接入點的網路管理員必須遵守當地的廣播法規。具體地講，接入點必須使用與接入點的使用位置相適的頻道分配。

## 確認安裝前的連通性

當您在網路環境中安裝 AP 前，請確保 AP 通電後能夠尋找並連接到控制器。

具體地講，您必須確認具備以下條件：

- 連接到網路時，每部 AP 都會被分配一個有效的 IP 位址
- AP 能夠找到控制器

有關尋找並連接到控制器的說明，請參閱 *ArubaOS 快速入門指南*。

## 確定具體安裝位置

您可以將 AP-120 系列接入點安裝在牆壁或天花板上。請使用 Dell 的射頻規劃軟體應用程式產生的 AP 佈置圖來確定適當的安裝位置。每個位置都應盡可能靠近計劃覆蓋區域的中心，並且不應存在任何障礙物或明顯的干擾源。這些射頻吸波物/反射物/干擾源會影響射頻傳播，應在規劃階段加以考慮，並在射頻規劃中做出調整。

### 不明原因的已知射頻吸波物/反射物/干擾源

在安裝階段，確定安裝現場已知的射頻吸波物、反射物和干擾源是最重要的關鍵。當您將一部 AP 與其固定位置相連時，請確保將這些障礙源考慮在內。

射頻吸波物包括：

- 水泥/混凝土：時間較久的混凝土的水份耗散度較高，會使混凝土變乾，因此不會阻礙可能的射頻傳播。新混凝土內的水份富集度較高，從而會阻礙射頻訊號。
- 天然物：魚塘、噴泉、池塘和樹木
- 磚塊

射頻反射物包括：

- 金屬物：樓層間的金屬底板、鋼筋、防火門、空調/供暖管道、網眼視窗、窗簾、鐵絲網（視孔徑尺寸而定）、電冰箱、機架、擱板及檔案櫃
- 請勿將 AP 置於兩個空調/供暖管道之間。確保將 AP 置於管道下方，以避免射頻干擾。

射頻干擾源包括：

- 微波爐及其他 2.4 或 5 GHz 物體（例如無繩電話）
- 配備有無線耳機的餐室和呼叫中心

# 安裝 AP



注意：所有 Dell 產品的維修都只能由經過訓練的維修人員來完成。

## 使用整合的壁式安裝槽

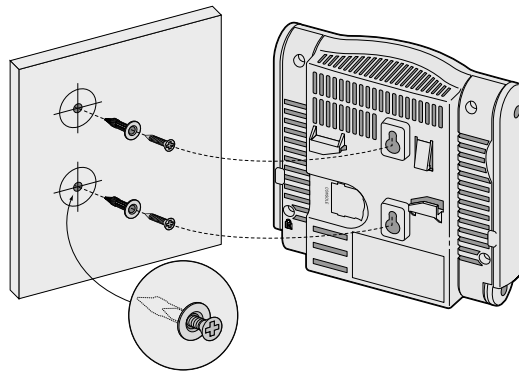
AP 後部鑰匙孔形狀的槽可用於將裝置垂直地連接到室內牆壁或擱板上。選擇安裝位置時，請在裝置右側預留額外的佈線空間。



注意：要了解產品尺寸，請參閱本指南中的[產品規格](#)。在裝機位置的右側預留 2 英吋（5 釐米）的佈線空間，並確保留出足夠的天線銜接空間。

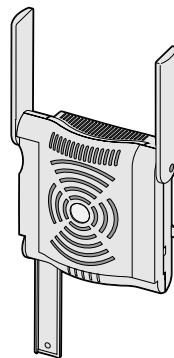
1. 在安裝位置的牆壁或擱板上相隔 1 7/8 英吋（4.7 釐米）擰上兩個螺絲。如果您要將裝置連接到幹式牆上，Dell 建議您使用相應的牆錨（未隨附）。
2. 將 AP 後部的安裝槽對準螺絲套上，然後將裝置滑入到位（請參閱圖 2）。

圖 2 在牆壁上安裝 W-AP120 系列接入點



3. 在 W-AP121 或 W-AP125 上，調整天線方向。為獲得最佳效能，請轉動天線，將其調整到垂直方向，並且最好讓它們位於與牆壁平行的同一平面內（請參閱圖 3）。

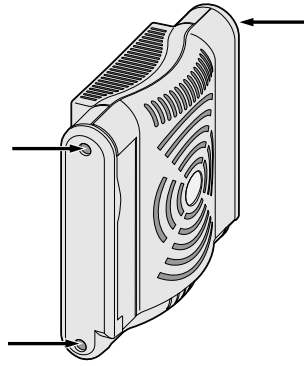
圖 3 壁式安裝 W-AP121/W-AP125 上的天線方向



在 W-AP120 或 W-AP124 上，按照製造商的說明安裝外部天線，並將天線連接到 AP 上的天線介面（請參閱圖 4）。



圖 4 W-AP120/W-AP124 上的天線介面



### 使用整合的吊頂板軌道槽

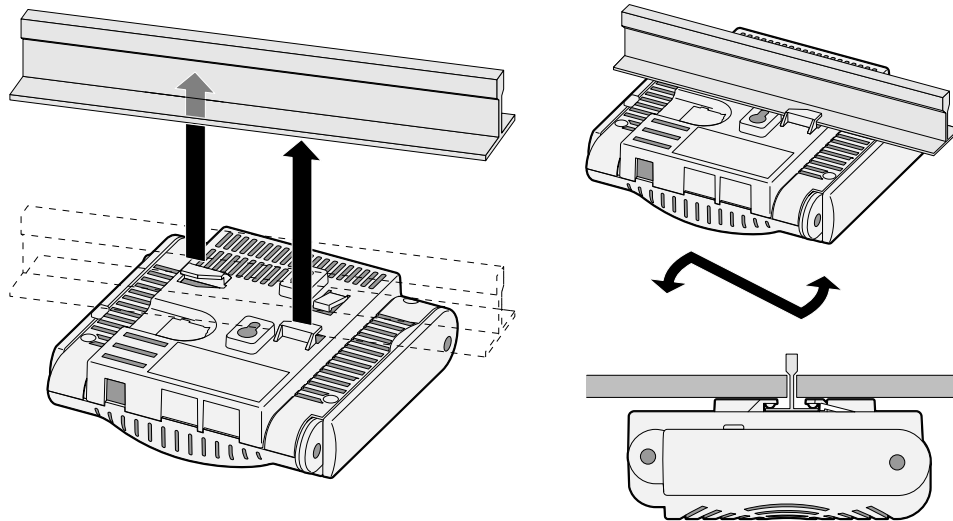
AP 後部的卡扣式吊頂板軌道槽可用於將裝置牢固地直接連接到 15/16 寸寬的標準吊頂板軌道上。



**小心：** 將裝置懸掛在天花板上時，請確保 AP 牢固地安裝在吊頂板軌道上，因為如果安裝不牢固，可能會導致裝置掉下來，砸到人員或設備。

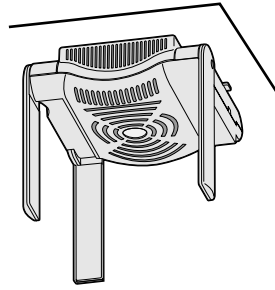
1. 將必需的電纜穿過吊頂板中靠近 AP 安裝位置的預留孔。
2. 必要時，將控制臺電纜連接到 AP 後部的控制臺埠。
3. 使吊頂板軌道安裝槽與吊頂板軌道呈大約 30 度角，將 AP 固定在吊頂板軌道旁（請參閱圖 5）。確保任何鬆弛的電纜都位於吊頂板之上。

圖 5 調整吊頂板軌道安裝槽的方向



4. 一邊朝吊頂板方向推動，一邊沿順時針方向旋轉 AP，直至裝置啞嗒一聲在吊頂板軌道上卡入到位。
5. 在 W-AP121 或 W-AP125 上，調整天線方向。為獲得最佳效果，請轉動天線，使其垂直（垂直於 AP 的主體）（請參閱圖 6）。

圖 6 吊頂式安裝 W-AP121/W-AP125 上的天線方向



在 W-AP120 或 W-AP124 上，按照製造商的說明安裝外部天線，並將天線連接到 AP 上的天線介面（請參閱圖 4）。

## 連接所需的電纜

按照所有適用的地方和國家法規及慣例鋪設電纜。

## 乙太網路埠

RJ45 乙太網路埠（ENET0 和 ENET1）支援 100/1000Base-T 自動偵測 MDI/MDX 連接。該埠用於將 AP 連接到雙絞線乙太網路 LAN 網段，或直接連接到 Dell 控制器。使用長達 100 米（325 英尺）的 4 或 8 導線 5 類 UTP 電纜。



**注意：** 按照 IEEE 802.3.af 乙太網路供電標準中的定義，Dell W-AP120 系列 AP 專供在環境 A 中安裝。所有互連設備都必須包含在同一建築內，包括互連設備的相關 LAN 連接。

100/1000 Mbps 乙太網路埠位於 AP 的底部。這些埠具有 RJ-45 插孔連接器，表 1 中顯示了連接器的引腳分配情況。

表 1 乙太網路埠 ENET0 和 ENET1 的連接器

連接器	引腳	訊號名稱	GE 連接	FE 連接	PoE
	1	BI_DA+	雙向線對 A+	收訊號+	POE 負極
	2	BI_DA-	雙向線對 A-	收訊號-	POE 負極
	3	BI_DB+	雙向線對 B+	發訊號+	POE 正極
	4	BI_DC+	雙向線對 C+	備用線對	POE 正極
	5	BI_DC-	雙向線對 C-	備用線對	POE 正極
	6	BI_DB-	雙向線對 B-	發訊號-	POE 正極
	7	BI_DD+	雙向線對 D+	備用線對	POE 負極
	8	BI_DB-	雙向線對 D-	備用線對	POE 負極

## 串列控制臺埠

您可以透過串列控制臺埠將 AP 連接到串列終端或可攜式電腦上，進行直接本地管理。此埠是一個 RJ-45 插孔連接器，表 2 中介紹了它的引腳分配情況。請以下列方式之一連接此埠：

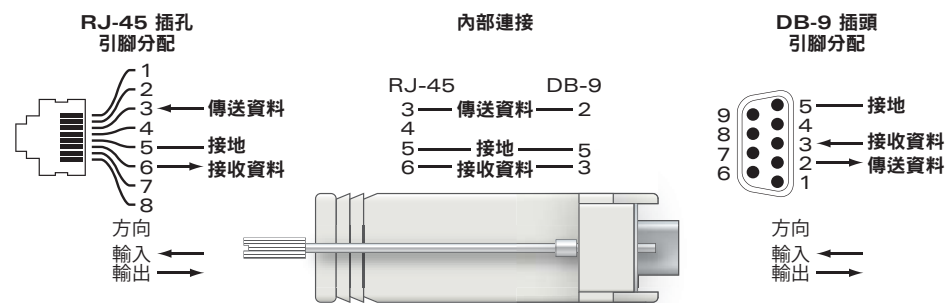
- 使用乙太網路電纜將其直接連接到某個終端或終端伺服器。
- 使用模組連接器將 AP 上的 RJ-45（插孔）連接器轉換為 DB-9（插頭）連接器，然後使用 RS-232 電纜將連接器連接到可攜式電腦。有關連接器的連接器詳細資訊，請參閱圖 7。

表 2 串列控制臺埠連接器

連接器	引腳	訊號名稱	功能	
	3	傳送資料	傳送	
	4	接地	接地	
	5	接地	接地	
	6	接收資料	接收	
	1			
	2			

未列出的引腳表示空腳。

圖 7 RJ-45（插孔）轉 DB-9（插頭）模組連接器轉換



## 電源連接

W-AP120 系列 AP 具有單個 5V DC 電源插孔，以支援透過 AC 轉 DC 電源連接器供電。

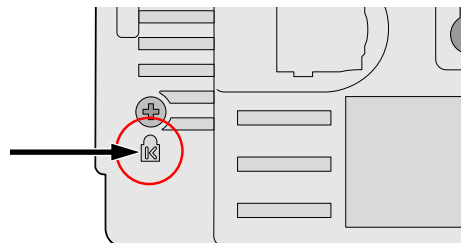


注意：如果同時提供了 POE 和 DC 電源，則即使可用的 POE 電壓不足以為 AP 供電，AP 仍會使用 POE。

## 連接保安電纜

要提高 W-AP121 或 W-AP125 的安全性，您可以將保安電纜連接到裝置後部（請參閱圖 8）。

圖 8 安全鎖連接



## 確認安裝後的連通性

此時，可以透過 AP 上整合的 LED 來確認 AP 的獲得電能和起始設定操作是否成功（請參閱表 3）。有關確認安裝後網路連通性的更多詳細資訊，請參閱 *ArubaOS 快速入門指南*。

LED	顏色/狀態	含義
PWR (電源)	綠燈長亮	開機，裝置就緒
	綠燈閃爍	系統正在起始設定
	紅燈長亮	系統起始設定失敗，請聯絡 TAC
ENET 0 (乙太網路 0) (100/1000 Mbps)	綠燈/琥珀燈不亮	沒有無線節點接入
	綠燈亮	1000 Mbps 鏈路
	琥珀燈亮	100 Mbps 無線節點接入
	綠燈/琥珀燈閃爍	資料活動
ENET 1 (乙太網路 1) (100/1000 Mbps)	綠燈/琥珀燈不亮	沒有無線節點接入
	綠燈亮	1000 Mbps 鏈路
	琥珀燈亮	100 Mbps 無線節點接入
	綠燈/琥珀燈閃爍	資料活動
11A/N	琥珀燈	無線節點接入是過時的 11a
	綠燈	無線節點接入是 11n 5 GHz 頻帶
11B/G/N	琥珀燈	無線節點接入是過時的 11b 或 11g
	綠燈	無線節點接入是 11n 2.4 GHz 頻帶

## 組態 W-AP120 系列

### AP 置備/重新置備

各 AP 的置備參數是唯一的。這些本地 AP 參數最初在控制器中進行組態，然後向外推送給 AP 並儲存在 AP 本身中。Dell 建議僅透過 ArubaOS WebUI 來組態置備設定。有關完整的詳細資訊，請參閱 *ArubaOS 使用者指南*。

### AP 組態

組態參數視網路或控制器而定，在控制器中進行組態和儲存。網路組態設定向外推送給 AP，但仍儲存在控制器上。

可以透過 ArubaOS WebUI、ArubaOS CLI 或 Aruba MMS 來設定組態設定。有關更多詳細資訊，請參閱其各自的指南：*ArubaOS 使用者指南*。

# 產品規格

## 機械規格

- 尺寸(天線收起)(高 x 寬 x 深):
  - 4.9 英吋 x 5.13 英吋 x 2 英吋
  - 12.4 釐米 x 13 釐米 x 5.1 釐米
- 重量：15 盎司/0.42 公斤
- 運輸尺寸：
  - 9.5 英吋 x 7.25 英吋 x 4.5 英吋
  - 24.1 釐米 x 18.4 釐米 x 11.4 釐米
- 溫度：
  - 工作溫度：0°C 至 50°C (32°F 至 122°F)
  - 儲存溫度：-10°C 至 70°C (14°F 至 158°F)



**注意：** 在正常工作情況下，W-AP120 底座的溫度可接近 80°C (176°F)。這一溫度在預期的工作溫度範圍內。

- 相對濕度：5% 至 95% (不冷凝)
- 海拔高度：28°C (82.4°F) 下 8,000 英尺
- 安裝方式：壁式、吊頂式或臺式
- 天線：
  - 3 個整合的鉸接式雙頻天線單元 (W-AP121、W-AP125)
  - 3 個用於外部天線的 RP-SMA 介面 (W-AP120、W-AP124)
- 可視狀態指示器 (LED)：請參閱表 3

## 電氣規格

- 乙太網路：
  - 2 個 100/1000 Base-T 自動偵測乙太網路 RJ-45 介面
  - MDI/MDX
  - IEEE 802.3 (10Base-T)、IEEE 802.3u (100Base-T)、IEEE 802.3ab (1000Base-T)
  - 乙太網路供電 (符合 IEEE 802.3af 標準)，48 伏 DC/350 毫安培 (有關引腳組態情況，請參閱表 1)
- 電源：
  - 5 VDC 電源介面，支援透過 AC 轉 DC 電源連接器供電



**注意：** 如果在美國或加拿大使用的並非是由 Dell 提供的電源連接器，則所使用的連接器應是透過 cULus (NRTL) 認證的產品，額定 VDC 輸出達到 5 伏，最小電流達到 4 安，帶有「LPS」或「Class 2 (2 類)」標記，並且適合插入美國和加拿大的標準電源插座。

- 乙太網路埠上的 POE 支援：
  - 符合 802.3af 標準的 POE 供電裝置
  - POE+ (在 350 毫安培下達 56 伏)

## 無線 LAN

- 網路標準：IEEE 802.11b、IEEE 802.11g、IEEE 802.11a 及 IEEE 802.11n（草案）
- 天線類型：
  - 整合式 802.11a/b/g/n 全向高增益天線
  - 可拆卸式 802.11a/b/g/n 全向高增益天線
- 天線增益（整合式天線）：
  - 2.4 – 2.5 GHz/3.2 dBi（最大）
  - 5.180 – 5.825 GHz/5.2 dBi（最大）
- 無線電技術：
  - 正交頻分複用 (Orthogonal Frequency Division Multiplexing, OFDM)
  - 直接序列擴頻 (Direct Sequence Spread Spectrum, DSSS)
- 無線電調製類型：
  - 802.11b - CCK、BPSK、QPSK
  - 802.11g - CCK、BPSK、QPSK、16-QAM、64-QAM
  - 802.11a - BPSK、QPSK、16-QAM、64-QAM
  - 802.11n 2.0 草案版
- 媒體存取控制：帶確認幀 ACK 的 CSMA/CA
- 支援的 2.4GHz 頻段：
  - 2.400 ~ 2.4835GHz（全球），頻道視國家而定
- 支援的 5GHz 頻段：
  - 5.150 ~ 5.250GHz（低頻段），視國家而定
  - 5.250 ~ 5.350GHz（中頻段），視國家而定
  - 5.470 ~ 5.725GHz（歐洲），視國家而定
  - 5.725 ~ 5.825GHz（高頻段），視國家而定

802.11b	802.11g	802.11a	802.11n
美國、加拿大 11	美國、加拿大 11	美國、加拿大 12	<< 需要 >>
ETSI 13	ETSI 13	ETSI（直至 19）	<< 需要 >>
日本 14	日本 13	日本 4	<< 需要 >>
台灣 11	台灣 11	台灣 7	<< 需要 >>

- 資料傳輸率：
  - 802.11b - 每個頻道 1、2、5.5、11 Mbps
  - 802.11g - 每個頻道 6、9、12、18、24、36、48 及 54 Mbps
  - 802.11a - 每個頻道 6、9、12、18、24、36、48 及 54 Mbps
  - 802.11n - 資料傳輸率 MCS0 – MCS15（從 6.5 Mbps 到 300 Mbps）

## Dell 設備的正確處置

有關全球環境符合性以及 Dell 產品的最新資訊，請參閱本產品附帶的 *Dell PowerConnect W 系列安全、環保和符合規範資訊文件*，或瀏覽我們的網站 [www.dell.com](http://www.dell.com)。

### 歐盟 RoHS

# RoHS

Aruba 產品也遵守歐盟的 2002/95/EC 號危害物質限用 (Restriction of Hazardous Substances, RoHS) 法令。歐盟 RoHS 限制在電氣和電子設備的生產中使用某些有害物質。具體地講，RoHS 法令所規定的限用材料為：鉛（包括印刷電路元件中使用的焊料）、鎘、汞、六價鉻及溴。某些 Aruba 產品符合 RoHS 法令附錄 7 中所列的豁免規定（關於印刷電路組件所用焊料中的鉛）。產品和包裝上將貼有左圖所示的「RoHS」標籤，以表明其符合該法令的要求。

### 更換電池



**小心：** Dell 產品附帶的電池只能由合格的 Dell 維修人員進行更換。有關電池更換事宜，請聯絡 Dell。請勿嘗試自行更換電池。如果安裝了錯誤類型的電池，會有發生爆炸的危險。請按照說明處置電池。

## 安全性及符合規範

Dell 提供了一個多語言文件，其中包含所有 Dell 硬體產品的國家特定限制以及其他安全性和符合規範資訊。本產品附帶了 *Dell PowerConnect W 系列安全、環保和符合規範資訊文件*。



**小心：** 射頻輻射暴露聲明：本設備符合 FCC 射頻輻射暴露限制性規定。在安裝和操作本設備時，如果是在 2.4 GHz 和 5 GHz 下進行操作，發射器與您身體之間的距離至少要達到 13.78 英寸（35 釐米）。本發射器不得與任何其他天線或發射器置於同一位置，也不得與它們一起工作。在 5.15 至 5.25 GHz 頻段下操作時，本裝置僅限在室內使用，以降低對同頻道移動衛星系統產生有害干擾的可能性。

### 韓國無線電設備警告

Radio Equipment for the radio data communication system

**\*\* Warning Notice \*\***

For a radio equipment using 2400~2483.5MHz or 5725~5825MHz, the following two expression should be displayed ;

1. Indicate following expression on the product where is easy to see : "This radio equipment can be crossed during operation."

당해 무선설비는 운용 중 전파혼신 가능성이 있음

당해 무선설비는 운용 중 전파혼신 가능성이 있음

2. The manufacturer and installer should fully inform the operator or users "This radio equipment cannot provide a service relevant to the human life safety, as it can be crossed" through the user manual etc.

당해 무선설비는 전파혼신 가능성이 있으므로 인명안전과 관련된 서비스는 할 수 없습니다.

당해 무선설비 전파혼신 가능성이 있으므로 인명안전과 관련된 서비스는 할 수 없습니다.

## 版權

© 2010 Aruba Networks, Inc. AirWave®、Aruba Networks®、Aruba Mobility Management System®、Bluescanner、For Wireless That Works®、Mobile Edge Architecture®、People Move。Networks Must Follow®、RFprotect®、The All Wireless Workplace Is Now Open For Business、Green Island、The Mobile Edge Company® 以及其他註冊商標是 Aruba Networks, Inc. 的商標。Dell™、DELL™ 商標及 PowerConnect™ 是 Dell Inc. 的商標。

保留所有權利。本手冊規格如有改變，恕不通知。

源於美國。本手冊中出現的其他商標都是其各自公司的財產。

## 開放原始碼

某些 Aruba 產品包含由協力供應商開發的開放源軟體代碼，其中包括須遵照 GNU 通用公共許可證 (General Public License, GPL)、GNU 寬通用公共許可證 (Lesser General Public License, LGPL) 或其他開放源許可證規定使用的軟體代碼。可在以下網站上找到所使用的開放原始碼：

[http://www.arubanetworks.com/open\\_source](http://www.arubanetworks.com/open_source)

## 法律聲明

任何個人或公司，只要其使用 Aruba Networks, Inc. 交換平台和軟體來端接其他供應商的 VPN 用戶端裝置，即表明該人或公司對此行為承擔全部責任，並會代表這些供應商，在 Aruba Networks, Inc. 萬一遭受任何以及所有與版權侵犯有關的法律訴訟時，為其承擔全部傷害和損失賠償。

## 保修

本硬體產品享有 Aruba 標準的一年部件/人工保修。有關詳細資訊，請參閱 ARUBACARE 服務和支援條款和條件。

改動本裝置（例如為其噴漆）將使保修失效。





# Dell PowerConnect W-AP120 系列 AP

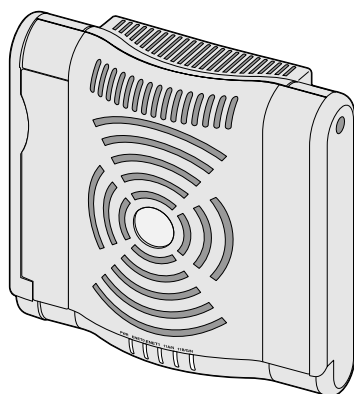
## 安装指南

Dell W-AP120 系列无线接入点支持著名的、面向高性能 WLAN 的 IEEE 802.11n 标准（最新版本为 2.0 草案版）。这些接入点使用 MIMO（Multiple-in, Multiple-out，多重输入多重输出）技术及其它高吞吐量模式技术来实现高性能的 802.11n 准 2.4 GHz 和 5 GHz 功能，同时支持现有 802.11a/b/g 无线服务。W-AP120 系列接入点有采用单射频或双射频的版本，还有采用集成式天线的版本，或采用支持可拆卸式天线的 RP-SMA 接口的版本。W-AP120 系列接入点只与 Dell 控制器一起使用。

Dell W-AP120 系列接入点提供以下功能：

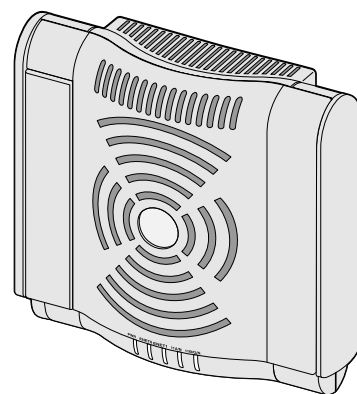
- 无线收发器
- 协议无关联网功能
- IEEE 802.11a/b/g 或 802.11n 作为无线接入点运行
- IEEE 802.11a/b/g 或 802.11n 作为无线监测器运行
- 兼容 IEEE 802.3af PoE 以及高功率以太网供电预备标准 (PoE + / 802.3at)
- 通过 Dell 控制器进行集中式管理、配置和升级
- 通过控制器许可证将 W-AP120 系列 a/b/g 型号升级，使之符合 802.11n（草案）标准

**图 1** W-AP120 系列接入点



W-AP120/W-AP124

(3 个用于可拆卸式天线的 RP-SMA 接口)



W-AP121/W-AP125

(3 个集成式双频天线)

## 包装内容

- AP-120 系列 接入点
- 安装指南（本文档）



**注意：**如果发现任何不正确、缺失或损坏的部件，请通知您的供应商。请尽可能保留包装箱，包括原始包装材料。必要时，可以利用这些材料重新包装装置，将其退回给供应商。



**注意：**供与 W-AP120 系列接入点一起使用的额外安装套件需另购。有关详细信息，请联系您的 Dell 销售代表。

# 安装开始前的准备工作

## WLAN 规划

确定您的无线网络部署需要多少部 Dell AP，以及它们的安装位置。您可以使用 Dell 的自动化射频规划现场勘验软件（需另购）轻松完成这项工作。此流程可看作是 WLAN 或射频规划，应在主 Dell 控制器安装和配置期间完成。在典型的 Dell 安装中，控制器的配置和安装先于 AP。

要获得 WLAN 规划协助，请参阅 *室内接入点：现场勘验和预部署规划指南* 和 *射频规划安装和用户指南*。

## 安装前的网络要求

WLAN 规划完成，并且相应的产品及其位置确定后，必须安装 Dell 控制器并执行初始设置，然后才能部署 Dell 接入点。

有关控制器的初始设置，请参阅与您控制器上安装的软件版本对应的 *ArubaOS 快速入门指南*。

## 安装前核查清单

在安装 W-AP120 系列接入点之前，请确保具备以下条件：

- 对于 W-AP120/W-AP124：网络部署规划中规定的外部天线
- 所需长度的 CAT5 UTP 电缆
- 以下电源之一：
  - 符合 IEEE 802.3af 标准的以太网供电 (Power over Ethernet, PoE) 电源
  - 对于 W-AP120/W-AP121，支持全功能；对于 W-AP124/W-AP125，支持简化功能
  - IEEE 以太网供电 + (PoE+) 电源在 350 毫安下以 56 伏输出
  - POE 电源可以是任何电源设备 (Power Source Equipment, PSE) 控制器或中跨 PSE 设备
  - Dell AP AC-DC 适配器套件（另售）
- 网络上置备的 Dell 控制器：
  - 第 2/3 层与接入点的网络连通性
  - 以下网络服务之一：
    - Aruba 发现协议 (Aruba Discovery Protocol, ADP)
    - 具有“A”记录的 DNS 服务器
    - 具有厂商特定选件的 DHCP Server

## 安装过程摘要



---

**注意：**请务必先确认 [安装前核查清单](#) 下所列的项目，然后再尝试设置和安装 W-AP120 系列 AP。

---

成功安装 AP-120 系列接入点需要完成五项任务，这些任务必须按以下顺序执行：

1. 确认安装前的连通性。
2. 确定每部 AP 的具体安装位置。
3. 安装每部 AP。
4. 确认安装后的连通性。
5. 配置每部 AP。



---

**注意：**Dell 为遵守政府要求，对 AP-120 系列接入点进行了相应的设计，使得只有授权的网络管理员才能更改设置。有关 AP 配置的详细信息，请参阅 *ArubaOS 快速入门指南* 和 *ArubaOS 用户指南*。

---



---

**小心：**接入点是无线电传输装置，因此会受到政府监管。负责配置和操作接入点的网络管理员必须遵守当地的广播法规。具体地讲，接入点必须使用与接入点的使用位置相适的频道分配。

---

## 确认安装前的连通性

当您在网络环境中安装 AP 前，请确保 AP 通电后能够寻找并连接到控制器。

具体地讲，您必须确认具备以下条件：

- 连接到网络时，每部 AP 都会被分配一个有效的 IP 地址
- AP 能够找到控制器

有关寻找并连接到控制器的说明，请参阅 *ArubaOS 快速入门指南*。

## 确定具体安装位置

您可以将 AP-120 系列接入点安装在墙壁或天花板上。请使用 Dell 的射频规划软件应用程序生成的 AP 布置图来确定适当的安装位置。每个位置都应尽可能靠近计划覆盖区域的中心，并且不应存在任何障碍物或明显的干扰源。这些射频吸波物/反射物/干扰源会影响射频传播，应在规划阶段加以考虑，并在射频规划中做出调整。

### 不明原因的已知射频吸波物/反射物/干扰源

在安装阶段，确定安装现场已知的射频吸波物、反射物和干扰源至关重要。当您将一部 AP 与其固定位置相连时，请确保将这些障碍源考虑在内。

射频吸波物包括：

- 水泥/混凝土：时间较久的混凝土的水份耗散度较高，会使混凝土变干，因此不会阻碍可能的射频传播。新混凝土内的水份富集度较高，从而会阻碍射频信号。
- 天然物：鱼塘、喷泉、池塘和树木
- 砖块

射频反射物包括：

- 金属物：楼层间的金属底板、钢筋、防火门、空调/供暖管道、网眼窗口、窗帘、铁丝网（视孔径尺寸而定）、电冰箱、机架、搁板及档案柜
- 请勿将 AP 置于两个空调/供暖管道之间。确保将 AP 置于管道下方，以避免射频干扰。

射频干扰源包括：

- 微波炉及其它 2.4 或 5 GHz 物体（例如无绳电话）
- 配备有无线耳机的餐室和呼叫中心

# 安装 AP



注意：所有 Dell 产品的维修都只能由经过培训的维修人员来完成。

## 使用集成的壁式安装槽

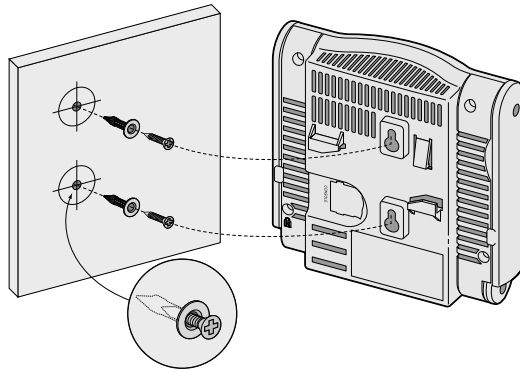
AP 后部钥匙孔形状的槽可用于将装置竖直地连接到室内墙壁或搁板上。选择安装位置时，请在装置右侧预留额外的布线空间。



注意：要了解产品尺寸，请参阅本指南中的[产品规格](#)。在装机位置的右侧预留 2 英寸（5 厘米）的布线空间，并确保留出足够的天线铰接空间。

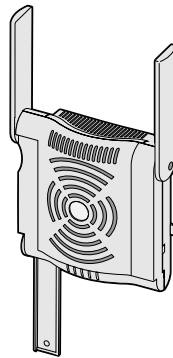
1. 在安装位置的墙壁或搁板上相隔 1 7/8 英寸（4.7 厘米）拧上两个螺丝。如果您要将装置连接到干式墙上，Dell 建议您使用相应的墙锚（未随附）。
2. 将 AP 后部的安装槽对准螺丝套上，然后将装置滑入到位（请参阅[图 2](#)）。

**图 2** 在墙壁上安装 W-AP120 系列接入点



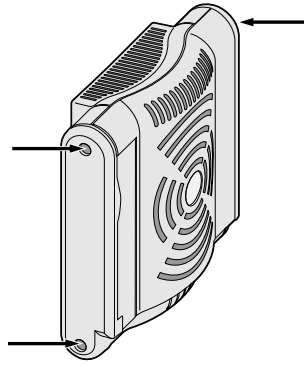
3. 在 W-AP121 或 W-AP125 上，调整天线方向。为获得最佳性能，请转动天线，将其调整到垂直方向，并且最好让它们位于与墙壁平行的同一平面内（请参阅[图 3](#)）。

**图 3** 壁式安装 W-AP121/W-AP125 上的天线方向



在 W-AP120 或 W-AP124 上，按照制造商的说明安装外部天线，并将天线连接到 AP 上的天线接口（请参阅[图 4](#)）。

图 4 W-AP120/W-AP124 上的天线接口



### 使用集成的吊顶板轨道槽

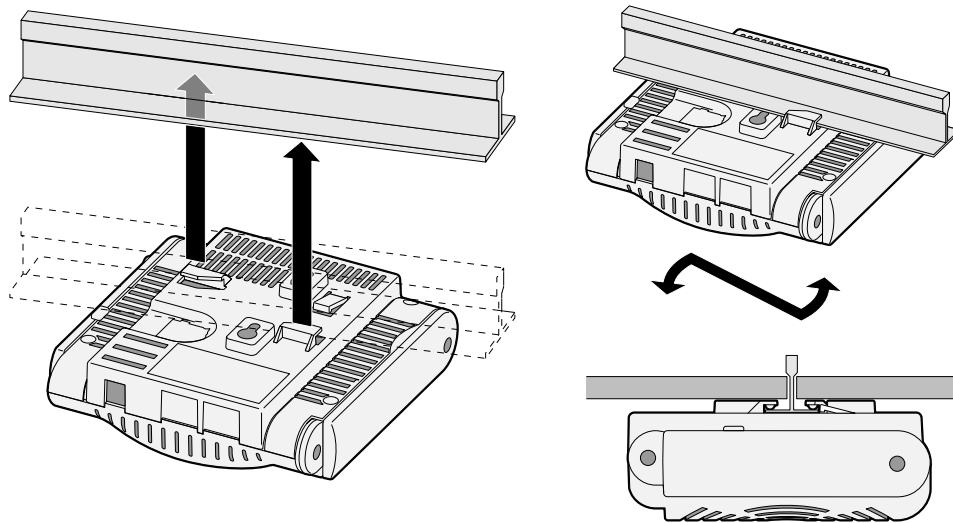
AP 后部的卡扣式吊顶板轨道槽可用于将装置牢固地直接连接到 15/16 寸宽的标准吊顶板轨道上。



**小心：**将装置悬挂在天花板上时，请确保 AP 牢固地安装在吊顶板轨道上，因为如果安装不牢固，可能会导致装置掉下来，砸到人员或设备。

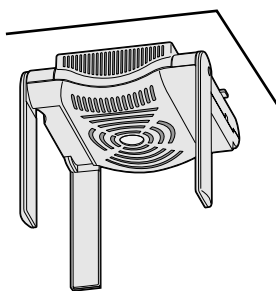
1. 将必需的电缆穿过吊顶板中靠近 AP 安装位置的预留孔。
2. 必要时，将控制台电缆连接到 AP 后部的控制台端口。
3. 使吊顶板轨道安装槽与吊顶板轨道呈大约 30 度角，将 AP 固定在吊顶板轨道旁（请参阅图 5）。确保任何松弛的电缆都位于吊顶板之上。

图 5 调整吊顶板轨道安装槽的方向



4. 一边朝吊顶板方向推动，一边沿顺时针方向旋转 AP，直至装置咔嚓一声在吊顶板轨道上卡入到位。
5. 在 W-AP121 或 W-AP125 上，调整天线方向。为获得最佳效果，请转动天线，使其垂直（垂直于 AP 的主体）（请参阅图 6）。

图 6 吊顶式安装 W-AP121/W-AP125 上的天线方向



在 W-AP120 或 W-AP124 上，按照制造商的说明安装外部天线，并将天线连接到 AP 上的天线接口（请参阅图 4）。

## 连接所需的电缆

按照所有适用的地方和国家法规及惯例铺设电缆。

## 以太网端口

RJ45 以太网端口（ENET0 和 ENET1）支持 100/1000Base-T 自动侦测 MDI/MDX 连接。该端口用于将 AP 连接到双绞线以太网 LAN 网段，或直接连接到 Dell 控制器。使用长达 100 米（325 英尺）的 4 或 8 导线 5 类 UTP 电缆。



**注意：**按照 IEEE 802.3.af 以太网供电标准中的定义，Dell W-AP120 系列 AP 专供在环境 A 中安装。所有互连设备都必须包含在同一建筑内，包括互连设备的相关 LAN 连接。

100/1000 Mbps 以太网端口位于 AP 的底部。这些端口具有 RJ-45 插孔连接器，表 1 中显示了连接器的引脚分配情况。

表 1 以太网端口 ENET0 和 ENET1 的连接器

连接器	引脚	信号名称	GE 连接	FE 连接	PoE
	1	BI_DA+	双向线对 A+	收信号+	POE 负极
	2	BI_DA-	双向线对 A-	收信号-	POE 负极
	3	BI_DB+	双向线对 B+	发信号+	POE 正极
	4	BI_DC+	双向线对 C+	备用线对	POE 正极
	5	BI_DC-	双向线对 C-	备用线对	POE 正极
	6	BI_DB-	双向线对 B-	发信号-	POE 正极
	7	BI_DD+	双向线对 D+	备用线对	POE 负极
	8	BI_DB-	双向线对 D-	备用线对	POE 负极

## 串行控制台端口

您可以通过串行控制台端口将 AP 连接到串行终端或便携式电脑上，进行直接本地管理。此端口是一个 RJ-45 插孔连接器，表 2 中介绍了它的引脚分配情况。请以下列方式之一连接此端口：

- 使用以太网电缆将其直接连接到某个终端或终端服务器。
- 使用模块适配器将 AP 上的 RJ-45（插孔）连接器转换为 DB-9（插头）连接器，然后使用 RS-232 电缆将适配器连接到便携式电脑。有关适配器的连接器详细信息，请参阅图 7。

表 2 串行控制台端口连接器

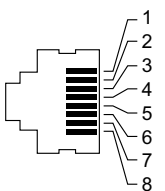
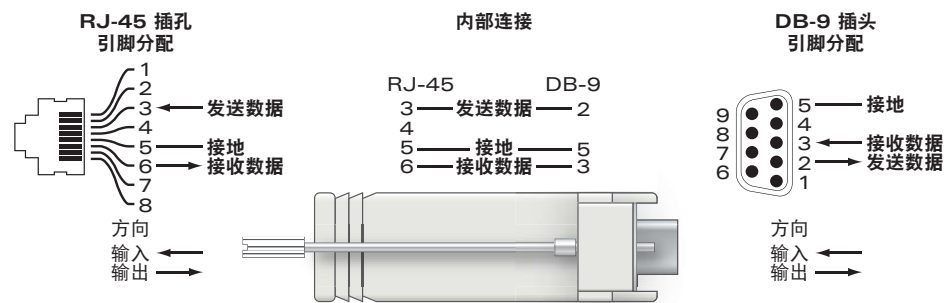
连接器	引脚	信号名称	功能	
	3	发送数据	发送	
	4	接地	接地	
	5	接地	接地	
	6	接收数据	接收	
	未列出的引脚表示空脚。			

图 7 RJ-45（插孔）转 DB-9（插头）模块适配器转换



## 电源连接

W-AP120 系列 AP 具有单个 5V DC 电源插孔，以支持通过 AC 转 DC 电源适配器供电。

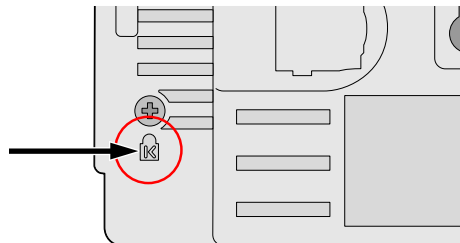


注意：如果同时提供了 POE 和 DC 电源，则即使可用的 POE 电压不足以为 AP 供电，AP 仍会使用 POE。

## 连接安防电缆

要提高 W-AP121 或 W-AP125 的安全性，您可以将安防电缆连接到装置后部（请参阅图 8）。

图 8 安全锁连接



## 确认安装后的连通性

此时，可以通过 AP 上集成的 LED 来确认 AP 的获取电能和初始化操作是否成功（请参阅表 3）。有关确认安装后网络连通性的更多详细信息，请参阅 *ArubaOS 快速入门指南*。

LED	颜色/状态	含义
PWR (电源)	绿灯长亮	开机，装置就绪
	绿灯闪烁	系统正在初始化
	红灯长亮	系统初始化失败，请联系 TAC
ENET 0 (以太网 0) (100/1000 Mbps)	绿灯/琥珀灯不亮	没有无线节点接入
	绿灯亮	1000 Mbps 链路
	琥珀灯亮	100 Mbps 无线节点接入
	绿灯/琥珀灯闪烁	数据活动
ENET 1 (以太网 1) (100/1000 Mbps)	绿灯/琥珀灯不亮	没有无线节点接入
	绿灯亮	1000 Mbps 链路
	琥珀灯亮	100 Mbps 无线节点接入
	绿灯/琥珀灯闪烁	数据活动
11A/N	琥珀灯	无线节点接入是过时的 11a
	绿灯	无线节点接入是 11n 5 GHz 频带
11B/G/N	琥珀灯	无线节点接入是过时的 11b 或 11g
	绿灯	无线节点接入是 11n 2.4 GHz 频带

## 配置 W-AP120 系列

### AP 置备/重新置备

各 AP 的置备参数是唯一的。这些本地 AP 参数最初在控制器中进行配置，然后向外推送给 AP 并存储在 AP 自身中。Dell 建议仅通过 ArubaOS WebUI 来配置置备设置。有关完整的详细信息，请参阅 *ArubaOS 用户指南*。

### AP 配置

配置参数视网络或控制器而定，在控制器中进行配置和存储。网络配置设置向外推送给 AP，但仍存储在控制器上。

可以通过 ArubaOS WebUI、ArubaOS CLI 或 Aruba MMS 来设定配置设置。有关更多详细信息，请参阅各自的指南：*ArubaOS 用户指南*。



# 产品规格

## 机械规格

- 尺寸 (天线收起) (高 x 宽 x 深):
  - 4.9 英寸 x 5.13 英寸 x 2 英寸
  - 12.4 厘米 x 13 厘米 x 5.1 厘米
- 重量: 15 盎司/0.42 公斤
- 运输尺寸:
  - 9.5 英寸 x 7.25 英寸 x 4.5 英寸
  - 24.1 厘米 x 18.4 厘米 x 11.4 厘米
- 温度:
  - 工作温度: 0°C 至 50°C (32°F 至 122°F)
  - 存储温度: -10°C 至 70°C (14°F 至 158°F)



**注意:** 在正常工作情况下, W-AP120 底座温度可接近 80°C (176°F)。这一温度在预期的工作温度范围内。

- 相对湿度: 5% 至 95% (不冷凝)
- 海拔高度: 28°C (82.4°F) 下 8,000 英尺
- 安装方式: 壁式、吊顶式或台式
- 天线:
  - 3 个集成的铰接式双频天线单元 (W-AP121、W-AP125)
  - 3 个用于外部天线的 RP-SMA 接口 (W-AP120、W-AP124)
- 可视状态指示器 (LED): 请参阅表 3

## 电气规格

- 以太网:
  - 2 个 100/1000 Base-T 自动侦测以太网 RJ-45 接口
  - MDI/MDX
  - IEEE 802.3 (10Base-T)、IEEE 802.3u (100Base-T)。IEEE 802.3ab (1000Base-T)
  - 以太网供电 (符合 IEEE 802.3af 标准), 48 伏 DC/350 毫安 (有关引脚配置情况, 请参阅表 1)
- 电源:
  - 5 VDC 电源接口, 支持通过 AC 转 DC 电源适配器供电



**注意:** 如果在美国或加拿大使用的并非是由 Dell 提供的电源适配器, 则所使用的适配器应是通过 cULus (NRTL) 认证的产品, 额定 VDC 输出达到 5 伏, 最小电流达到 4 安, 带有 “LPS” 或 “Class 2 (2 类)” 标记, 并且适合插入美国和加拿大的标准电源插座。

- 以太网端口上的 POE 支持:
  - 符合 802.3af 标准的 POE 供电装置
  - POE+ (在 350 毫安下达 56 伏)

## 无线 LAN

- 网络标准：IEEE 802.11b、IEEE 802.11g、IEEE 802.11a 及 IEEE 802.11n（草案）
- 天线类型：
  - 集成式 802.11a/b/g/n 全向高增益天线
  - 可拆卸式 802.11a/b/g/n 全向高增益天线
- 天线增益（集成式天线）：
  - 2.4 – 2.5 GHz/3.2 dBi（最大）
  - 5.180 – 5.825 GHz/5.2 dBi（最大）
- 无线电技术：
  - 正交频分复用 (Orthogonal Frequency Division Multiplexing, OFDM)
  - 直接序列扩频 (Direct Sequence Spread Spectrum, DSSS)
- 无线电调制类型：
  - 802.11b - CCK、BPSK、QPSK
  - 802.11g - CCK、BPSK、QPSK、16-QAM、64-QAM
  - 802.11a - BPSK、QPSK、16-QAM、64-QAM
  - 802.11n 2.0 草案版
- 媒体访问控制：带确认帧 ACK 的 CSMA/CA
- 支持的 2.4GHz 频段：
  - 2.400 ~ 2.4835GHz（全球），频道视国家而定
- 支持的 5GHz 频段：
  - 5.150 ~ 5.250GHz（低频段），视国家而定
  - 5.250 ~ 5.350GHz（中频段），视国家而定
  - 5.470 ~ 5.725GHz（欧洲），视国家而定
  - 5.725 ~ 5.825GHz（高频段），视国家而定

802.11b	802.11g	802.11a	802.11n
美国、加拿大 11	美国、加拿大 11	美国、加拿大 12	<< 需要 >>
ETSI 13	ETSI 13	ETSI（直至 19）	<< 需要 >>
日本 14	日本 13	日本 4	<< 需要 >>
台湾 11	台湾 11	台湾 7	<< 需要 >>

- 数据传输率：
  - 802.11b - 每个频道 1、2、5.5、11 Mbps
  - 802.11g - 每个频道 6、9、12、18、24、36、48 及 54 Mbps
  - 802.11a - 每个频道 6、9、12、18、24、36、48 及 54 Mbps
  - 802.11n - 数据传输率 MCS0 – MCS15（从 6.5 Mbps 到 300 Mbps）

## Dell 设备的正确处置

有关全球环境符合性以及 Dell 产品的最新信息，请参阅本产品附带的 *Dell PowerConnect W 系列安全、环保和合规性信息文档*，或访问我们的网站 [www.dell.com](http://www.dell.com)。

### 欧盟 RoHS

# RoHS

Aruba 产品也遵守欧盟的 2002/95/EC 号有害物质限用 (Restriction of Hazardous Substances, RoHS) 法令。欧盟 RoHS 限制在电气和电子设备的生产中使用某些有害物质。具体地讲，RoHS 法令所规定的限用材料为：铅（包括印刷电路组件中使用的焊料）、镉、汞、六价铬及溴。某些 Aruba 产品符合 RoHS 法令附录 7 中所列的豁免规定（关于印刷电路组件所用焊料中的铅）。产品和包装上将贴有左图所示的“RoHS”标签，以表明其符合该法令的要求。

### 更换电池



**小心：** Dell 产品附带的电池只能由合格的 Dell 维修人员进行更换。有关电池更换事宜，请联系 Dell。请勿尝试自行更换电池。如果安装了错误类型的电池，会有发生爆炸的危险。请按照说明处置电池。

## 安全性及合规性

Dell 提供了一个多语言文档，其中包含所有 Dell 硬件产品的国家特定限制以及其它安全性和合规性信息。本产品附带了 *Dell PowerConnect W 系列安全、环保和合规性信息文档*。



**小心：** 射频辐射暴露声明：本设备符合 FCC 射频辐射暴露限制性规定。在安装和操作本设备时，如果是在 2.4 GHz 和 5 GHz 下进行操作，发射器与您身体之间的距离至少要达到 13.78 英寸（35 厘米）。本发射器不得与任何其它天线或发射器置于同一位置，也不得与它们一起工作。在 5.15 至 5.25 GHz 频段下操作时，本装置仅限在室内使用，以降低对同频道移动卫星系统产生有害干扰的可能性。

### 韩国无线电设备警告

Radio Equipment for the radio data communication system

**\*\* Warning Notice \*\***

For a radio equipment using 2400~2483.5MHz or 5725~5825MHz, the following two expression should be displayed ;

1. Indicate following expression on the product where is easy to see : "This radio equipment can be crossed during operation."

당해 무선설비는 운용 중 전파혼신 가능성이 있음

당해 무선설비는 운용 중 전파혼신 가능성이 있음

2. The manufacturer and installer should fully inform the operator or users "This radio equipment cannot provide a service relevant to the human life safety, as it can be crossed" through the user manual etc.

당해 무선설비는 전파혼신 가능성이 있으므로 인명안전과 관련된 서비스는 할 수 없습니다.

당해 무선설비 전파혼신 가능성이 있으므로 인명안전과 관련된 서비스는 할 수 없습니다.

## 版权

版权所有 2010 Aruba Networks, Inc. AirWave®、Aruba Networks®、Aruba Mobility Management System®、Bluescanner、For Wireless That Works®、Mobile Edge Architecture®、People Move。Networks Must Follow®、RFprotect®、The All Wireless Workplace Is Now Open For Business、Green Island、The Mobile Edge Company® 以及其它注册商标是 Aruba Networks, Inc. 的商标。Dell™、DELL™ 徽标及 PowerConnect™ 是 Dell Inc. 的商标。

版权所有 保留所有权利。本手册规格如有变动，恕不通知。

源于美国。本手册中出现的其它商标都是其各自公司的财产。

## 开放源代码

某些 Aruba 产品包含由第三方开发的开放源代码，其中包括须遵照 GNU 通用公共许可证 (General Public License, GPL)、GNU 宽通用公共许可证 (Lesser General Public License, LGPL) 或其它开放源许可证规定使用的软件代码。可在以下站点上找到所使用的开放源代码：

[http://www.arubanetworks.com/open\\_source](http://www.arubanetworks.com/open_source)

## 法律声明

任何个人或公司，只要其使用 Aruba Networks, Inc. 交换平台和软件来端接其它厂商的 VPN 客户端装置，即表明该人或公司对此行为承担全部责任，并会代表这些厂商，在 Aruba Networks, Inc. 万一遭受任何以及所有与版权侵犯有关的法律诉讼时，为其承担全部伤害和损失赔偿。

## 保修

本硬件产品享有 Aruba 标准的一年部件/人工保修。有关详细信息，请参阅 ARUBACARE 服务和支持条款和条件。

改动本装置（例如为其喷漆）将使保修失效。



# Titik Akses Seri W-AP120 PowerConnect Dell

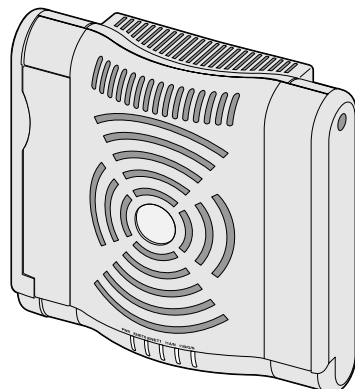
## Panduan Instalasi

Titik akses nirkabel seri W-AP120 Dell mendukung standar IEEE 802.11n (saat ini draf 2.0) yang segera berlaku untuk WLAN kinerja tinggi. Titik akses ini menggunakan teknologi MIMO (Multiple-in, Multiple-out) dan teknik modus kecepatan tinggi lainnya untuk mencapai fungsi 2,4 GHz atau 5 GHz kinerja-tinggi 802.11n, sambil mendukung layanan nirkabel 802.11a/b/g yang ada saat ini. Titik akses seri W-AP120 tersedia dalam versi dengan radio tunggal atau ganda dan dengan antena terintegrasi atau antarmuka RP-SMA yang mendukung antena yang dapat dilepas. Titik akses seri W-AP120 hanya bekerja jika terhubung dengan kontroler Dell.

Titik akses seri W-AP120 Dell menyediakan kemampuan berikut:

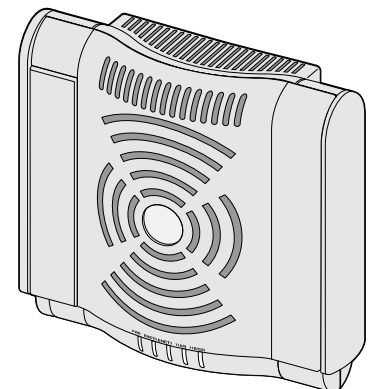
- Transiver nirkabel
- Fungsi jaringan yang tidak tergantung protokol
- Operasi sebagai titik akses nirkabel IEEE 802.11a/b/g atau 802.11n
- Operasi sebagai pemantau udara nirkabel IEEE 802.11a/b/g atau 802.11n
- Kompatibilitas dengan PoE IEEE 802.3af serta pra-standar daya tinggi lewat Ethernet (PoE + / 802.3at)
- Konfigurasi pengelolaan pusat dan upgrade melalui kontroler Dell
- Upgrade seri W-AP120 model a/b/g agar memenuhi 802.11n (draf) melalui lisensi kontroler

**Gambar 1** Titik Akses Seri W-AP120



W-AP120/W-AP124

(3 x antarmuka RP-SMA untuk antena yang dapat dilepas)



W-AP121/W-AP125

(3 x antena dual-band terintegrasi)

## Isi Kemasan

- Titik akses Seri AP-120
- Panduan pemasangan (dokumen ini)



**Catatan:** Beri tahu pemasok jika ada komponen yang salah, tidak ada, atau rusak. Jika mungkin, simpan kardusnya, termasuk bahan kemasan aslinya. Gunakan benda-benda ini untuk mengemas ulang dan mengembalikan unit kepada pemasok jika perlu.



**Catatan:** Kit dudukan tambahan untuk penggunaan pada titik akses seri W-AP120 dijual terpisah. Hubungi wiraniaga Dell Anda untuk mendapatkan detailnya.

# Sebelum Memulai

## Perencanaan WLAN

Tentukan jumlah Titik Akses Dell yang diperlukan untuk penempatan jaringan nirkabel Anda serta letak pemasangannya. Anda dapat menyelesaikan perencanaan ini secara mudah menggunakan perangkat lunak survei situs Rencana Frekuensi Radio otomatis Dell (tersedia secara terpisah). Proses ini dianggap perencanaan WLAN atau Frekuensi Radio dan harus dituntaskan saat pemasangan dan konfigurasi kontroler Dell induk. Pada instalasi Dell yang biasa, kontroler dikonfigurasi dan dipasang sebelum Titik Akses.

Untuk bantuan perencanaan WLAN, rujuk *Titik Akses Dalam Ruangan: Panduan Pra-Penempatan Perencanaan dan Survei Situs* dan *Panduan Pengguna dan Instalasi Rencana Frekuensi Radio*.

## Persyaratan Jaringan Pra-Pemasangan

Setelah perencanaan WLAN selesai dan produk dan penempatannya yang sesuai ditetapkan, kontroler Dell harus dipasang dan dilakukan setup awal sebelum Titik Akses Dell ditempatkan.

Untuk setup awal kontroler, rujuk *Panduan Mulai Cepat ArubaOS* mengenai perangkat lunak yang terpasang di kontroler Anda.

## Daftar Periksa Pra-Instalasi

Sebelum memasang titik akses seri W-AP120, pastikan Anda memiliki yang berikut ini:

- Untuk W-AP120/W-AP124: Antena eksternal sebagaimana ditetapkan dalam rencana penempatan jaringan
- Kabel UTP KATEGORI 5 dengan panjang yang diperlukan
- Salah satu catu daya berikut:
  - Catu Daya lewat Ethernet (PoE) yang mematuhi IEEE 802.3af
  - Mendukung fungsi penuh untuk W-AP120/W-AP121; mendukung fungsi dengan pengurangan untuk W-AP124/W-AP125
  - Keluaran catu daya lewat Ethernet + (PoE+) IEEE 56 Volt @ 350 mA
  - Sumber PoE dapat merupakan peralatan catu daya (PSE) kontroler atau perangkat PSE midspan mana pun.
  - Paket adaptor AC-DC Titik Akses Dell
- Kontroler Dell yang diatur di jaringan:
  - Konektivitas jaringan lapisan 2/3 ke titik akses Anda
  - Salah satu layanan jaringan berikut:
    - Protokol Penemuan Aruba (Aruba Discovery Protocol/ADP)
    - Server DNS dengan catatan "A"
    - Server DHCP dengan opsi yang sesuai vendor

## Ringkasan Proses Setup



---

**Catatan:** Penting bagi Anda untuk memverifikasi item yang tercantum di bawah [Daftar Periksa Pra-Instalasi](#) sebelum berusaha melakukan setup dan pemasangan Titik Akses seri W-AP120.

---

Setup titik akses Seri AP-120 yang berhasil mencakup lima tugas, yang harus dilakukan secara berurutan:

1. Memverifikasi konektivitas pra-pemasangan.
2. Mengidentifikasi lokasi pemasangan untuk setiap Titik Akses.
3. Memasang setiap Titik Akses.

4. Memverifikasi konektivitas pasca-pemasangan.
5. Mengonfigurasi setiap Titik Akses.



---

**Catatan:** Dell, untuk mematuhi persyaratan pemerintah, telah merancang titik akses Seri AP-120 sehingga hanya administrator jaringan yang berwenang yang dapat mengubah setelan. Untuk informasi selengkapnya tentang konfigurasi Titik Akses, rujuk *Panduan Mulai Cepat ArubaOS dan Panduan Pengguna Aruba OS*.

---



---

**Hati-hati:** Titik akses adalah perangkat pemancaran radio dan karenanya tunduk kepada peraturan pemerintah. Administrator jaringan yang bertanggung jawab atas konfigurasi dan pengoperasian titik akses harus mematuhi peraturan siaran lokal. Tepatnya, titik akses harus menggunakan penentuan saluran yang sesuai dengan lokasi yang akan menggunakan titik akses tersebut.

---

## Memverifikasi Konektivitas Pra-Pemasangan

Sebelum Anda memasang Titik Akses dalam lingkungan jaringan, pastikan lebih dahulu bahwa Titik Akses itu dapat menentukan lokasi dan tersambung ke kontroler saat dihidupkan.

Tepatnya, Anda harus memverifikasi kondisi berikut:

- Saat terhubung dengan jaringan, setiap Titik Akses diberi alamat IP yang valid
- Titik Akses mampu menentukan lokasi kontroler

Rujuk *Panduan Mulai Cepat ArubaOS* mengenai instruksi penentuan lokasi dan melakukan koneksi ke kontroler.

## Mengetahui Lokasi Setiap Pemasangan

Anda dapat menempatkan titik akses Seri AP-120 pada dinding atau plafon. Gunakan peta penempatan Titik Akses yang dihasilkan oleh aplikasi perangkat lunak Rencana RF dari Dell, untuk menentukan lokasi pemasangan yang baik. Setiap lokasi harus sedekat mungkin dengan pusat area cakupan yang diinginkan dan harus bebas penghalang atau sumber interferensi yang jelas. Sumber interferensi/penyerap/pemantul frekuensi radio akan berdampak pada rambatan frekuensi radio dan harus diperhitungkan pada tahap perencanaan dan disesuaikan dalam rencana frekuensi radio.

## Sumber Penyerap/Reflektor/Interferensi Frekuensi Radio yang Diketahui dan Tak Teridentifikasi

Mengidentifikasi sumber penyerap/reflektor/interferensi frekuensi radio yang diketahui saat di lapangan pada tahap pemasangan itu penting. Pastikan sumber-sumber ini diperhitungkan saat Anda memasang Titik Akses ke lokasi tetapnya.

Penyerap frekuensi radio mencakup:

- Semen/beton: Beton tua memiliki kadar penguapan air yang tinggi, yang mengeringkan beton itu, sehingga bisa dimanfaatkan untuk perambatan frekuensi radio. Beton baru mengandung konsentrasi air tingkat tinggi dalam betonnya, menghalangi sinyal frekuensi radio.
- Benda Alami: Akuarium, air mancur, kolam, dan pepohonan
- Batu Bata

Reflektor frekuensi radio mencakup:

- Benda Logam: Besi profil di antara lantai, tulang baja, pintu kebakaran, saluran pemanas/AC, jendela terali, tirai, pagar kawat (tergantung ukuran lubangnya), kulkas, para-para, rak, dan lemari arsip
- Jangan menempatkan Titik Akses di antara dua pipa AC/pemanas. Pastikan Titik Akses ditempatkan di bawah pipa untuk menghindari gangguan frekuensi radio.

Sumber interferensi frekuensi radio mencakup:

- Oven microwave dan benda 2,4 atau 5 GHz lain (seperti telepon nirkabel)
- Ruang makan dan pusat layanan telepon dengan telepon nirkabel

## Memasang Titik Akses



**Catatan:** Servis semua produk Dell harus dilaksanakan hanya oleh personel terlatih.

### Menggunakan Slot Dudukan Dinding yang Terintegrasi

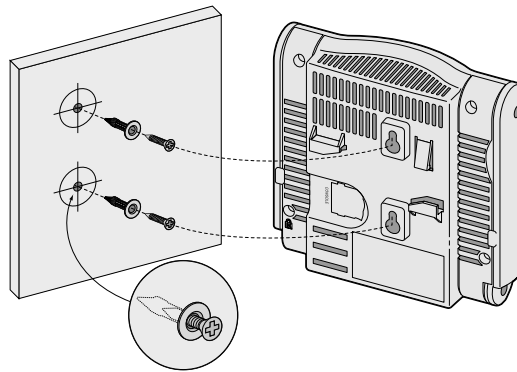
Slot yang berbentuk lubang kunci di bagian belakang Titik Akses dapat digunakan untuk menempelkan perangkat secara tegak pada dinding dalam ruang atau rak. Saat Anda memilih lokasi dudukan, sediakan ruang tambahan di sebelah kanan unit untuk kabel.



**Catatan:** Untuk dimensi produk, lihat [Spesifikasi Produk](#) dalam panduan ini. Beri 2 inci (5 cm) ruang tambahan di sisi kanan unit terpasang untuk kabel, dan pastikan cukup ruang untuk sambungan antenna.

1. Di lokasi dudukan, pasang dua sekrup pada dinding atau rak, dengan jarak 1 7/8 inci (4,7 cm). Jika Anda memasang perangkat pada dinding plester, Dell menganjurkan menggunakan jangkar dinding yang sesuai (tidak disertakan dalam paket).
2. Sejajarkan slot dudukan di bagian belakang Titik Akses di atas sekrup lalu geser unit ke tempatnya (lihat [Gambar 2](#)).

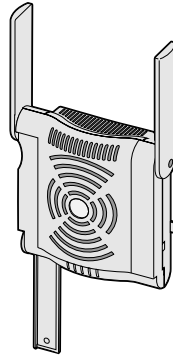
**Gambar 2** Memasang Titik Akses Seri W-AP120 di Dinding



3. Pada W-AP121 atau W-AP125, arahkan antenna. Untuk mendapatkan kinerja terbaik, putar antenna hingga vertikal, lebih baik jika semuanya sebidang, paralel dengan dinding (lihat [Gambar 3](#)).

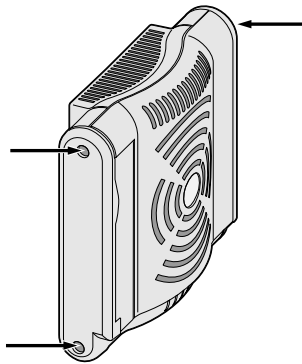


**Gambar 3** Orientasi Antena pada W-AP121/W-AP125 yang Ditempatkan di Dinding



Pada W-AP120 atau W-AP124, pasang antena eksternal sesuai instruksi pabrik, lalu hubungkan antena ke antarmuka antena di Titik Akses (lihat [Gambar 4](#)).

**Gambar 4** Antarmuka Antena di W-AP120/W-AP124



### Menggunakan Slot Rel Petak Plafon Terintegrasi

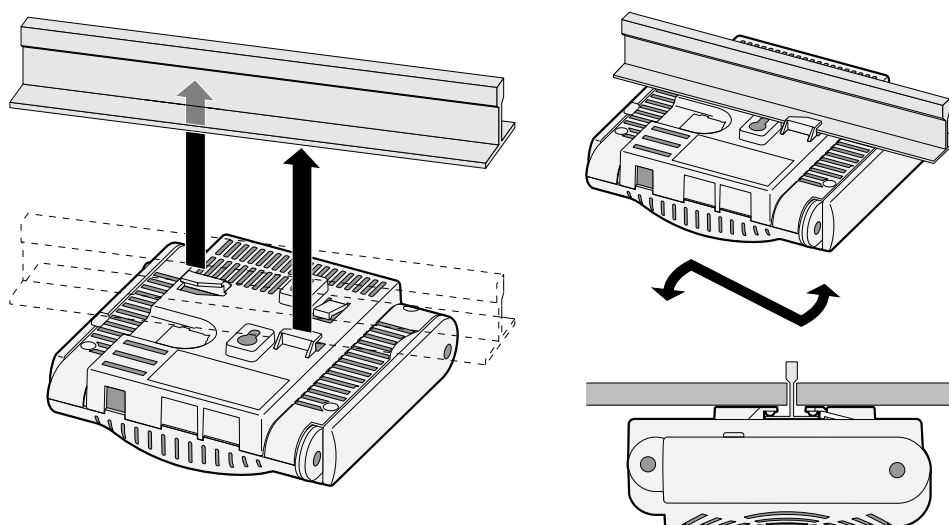
Slot rel petak plafon yang mengunci di bagian belakang Titik Akses dapat digunakan untuk menempelkan perangkat secara langsung dan aman pada rel petak plafon standar selebar 15/16".



**Hati-hati:** Pastikan Titik Akses terpasang secara aman ke rel petak plafon jika dipasang tergantung di plafon, karena instalasi yang buruk dapat menyebabkan perangkat jatuh menimpa orang atau peralatan.

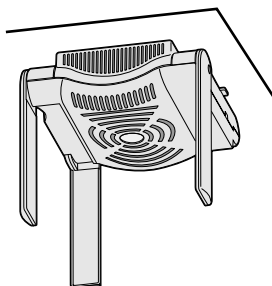
1. Tarik kabel yang diperlukan melalui lubang yang sudah disiapkan pada petak plafon, di dekat tempat Titik Akses akan dipasang.
2. Jika perlu, hubungkan kabel konsol ke port konsol di bagian belakang Titik Akses.
3. Tahan Titik Akses di sebelah rel petak plafon, dengan slot dudukan rel petak plafon bersudut sekitar 30 derajat terhadap rel petak plafon (lihat [Gambar 5](#)). Pastikan sisa kabel yang kendur berada di atas petak plafon.

**Gambar 5** Mengorientasikan Slot Dudukan Rel Petak Plafon



4. Dorong ke arah petak plafon, putar Titik Akses searah jarum jam sampai perangkat itu mengeluarkan bunyi klik di rel petak plafon.
5. Pada W-AP121 atau W-AP125, arahkan antenna. Untuk mendapatkan hasil terbaik, putar antenna hingga vertikal (tegak lurus badan Titik Akses) (lihat [Gambar 6](#)).

**Gambar 6** Orientasi Antena pada W-AP121/W-AP125 yang Ditempatkan di Plafon



Pada W-AP120 atau W-AP124, pasang antenna eksternal sesuai instruksi pabrikan, lalu hubungkan antenna ke antarmuka antenna di Titik Akses (lihat [Gambar 4](#)).

## Menghubungkan Kabel yang Perlu

Pasang kabel sesuai peraturan dan praktik nasional dan daerah yang berlaku.

### Port Ethernet

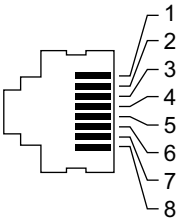
Port Ethernet RJ45 (ENET0 dan ENET1) mendukung koneksi auto-sensing MDI/MDX 100/1000Base-T. Gunakan port ini untuk menghubungkan Titik Akses ke segmen LAN Ethernet kabel silang atau langsung ke kontroler Dell. Gunakan kabel UTP Kategori 5 dengan 4- atau 8-konduktor hingga 100 m (325 kaki).



**Catatan:** Titik Akses Dell seri W-AP120 hanya dimaksudkan untuk dipasang di Lingkungan A sebagaimana didefinisikan IEEE 802.3.af, Power over Ethernet (Daya lewat Ethernet). Semua peralatan yang saling terhubung harus berada dalam bangunan yang sama, termasuk koneksi LAN yang terkait dengan peralatan yang saling terhubung.

Port Ethernet 100/1000 Mbps berada di bagian bawah Titik Akses. Port ini memiliki konektor perempuan RJ-45 dengan pin keluar seperti terlihat di [Tabel 1](#).

**Tabel 1** Konektor untuk Port Ethernet ENET0 dan ENET1

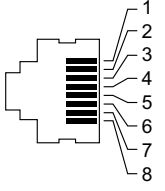
Konektor	Pin	Nama Sinyal	Koneksi GE	Koneksi FE	PoE
	1	BI_DA+	Pasangan bidireksional A+	RX+	POE (Daya lewat Ethernet) negatif
	2	BI_DA-	Pasangan bidireksional A-	RX-	POE (Daya lewat Ethernet) negatif
	3	BI_DB+	Pasangan bidireksional B+	TX+	POE (Daya lewat Ethernet) positif
	4	BI_DC+	Pasangan bidireksional C+	Pasangan cadangan	POE (Daya lewat Ethernet) positif
	5	BI_DC-	Pasangan bidireksional C-	Pasangan cadangan	POE (Daya lewat Ethernet) positif
	6	BI_DB-	Pasangan bidireksional B-	TX-	POE (Daya lewat Ethernet) positif
	7	BI_DD+	Pasangan bidireksional D+	Pasangan cadangan	POE (Daya lewat Ethernet) negatif
	8	BI_DB-	Pasangan bidireksional D-	Pasangan cadangan	POE (Daya lewat Ethernet) negatif

### Port Konsol Serial

Dengan port konsol serial, Anda dapat menghubungkan Titik Akses ke terminal serial atau laptop untuk manajemen lokal langsung. Port ini berbentuk konektor RJ-45 perempuan dengan pin keluar seperti dijabarkan di [Tabel 2](#). Hubungkan port ini dengan salah satu cara berikut:

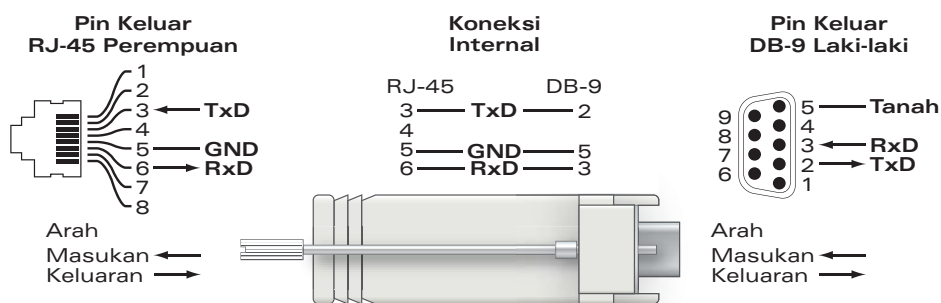
- Hubungkan langsung ke terminal atau server terminal dengan kabel Ethernet.
- Gunakan adaptor modular untuk mengonversi konektor (perempuan) RJ-45 di Titik Akses ke konektor (laki-laki) DB-9, lalu hubungkan adaptor ke laptop dengan kabel RS-232. Lihat [Gambar 7](#) mengenai detail konektor adaptor ini.

**Tabel 2** Konektor untuk Port Konsol Serial

Konektor	Pin	Nama Sinyal	Fungsi
	3	TXD	Pancar
	4	GND	Tanah
	5	GND	Tanah
	6	RXD	Terima

Pin yang tidak tercantum di sini tidak disambungkan.

**Gambar 7** Konversi Adaptor Modular RJ-45 (Perempuan) ke DB-9 (Laki-laki)



## Koneksi Daya

Titik Akses seri W-AP120 memiliki satu soket stopkontak 5V DC untuk mendukung pemberian daya melalui adaptor listrik AC-DC.

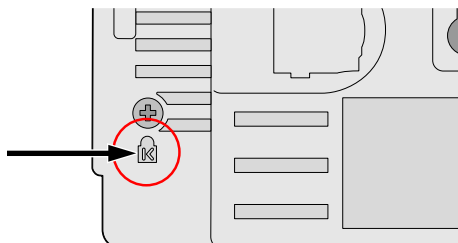


**Catatan:** Jika POE dan daya DC sama-sama tersedia, Titik Akses menggunakan POE, bahkan saat tidak tersedia tegangan POE yang cukup untuk mendayai Titik Akses.

## Menyambungkan Kabel Keamanan

Untuk menyediakan keamanan tambahan bagi W-AP121 atau W-AP125, Anda dapat menambahkan kabel keamanan di belakang unit (lihat [Gambar 8](#)).

**Gambar 8** Koneksi Kunci Keamanan



## Memverifikasi Konektivitas Pasca-Pemasangan

LED terintegrasi pada Titik Akses dapat digunakan pada saat ini untuk memverifikasi bahwa Titik Akses berhasil menerima daya dan melakukan inisialisasi (lihat [Tabel 3](#)). Rujuk *Panduan Mulai Cepat ArubaOS* untuk perincian lebih lanjut tentang cara memverifikasi konektivitas jaringan pasca-instalasi.

LED	Warna/Keadaan	Arti
PWR (Daya)	Hijau tetap	Menyala, perangkat siap
	Hijau berkedip	Sistem sedang menginisialisasi
	Merah tetap	Inisialisasi sistem gagal, hubungi TAC
ENET 0 (100/1000 Mbps)	Hijau/Kuning mati	Tidak ada sambungan
	Hijau menyala	Sambungan 1000 Mbps
	Kuning menyala	Sambungan 100 Mbps
	Hijau/kuning berkedip	Aktivitas data

LED	Warna/Keadaan	Arti
ENET 1 (100/1000 Mbps)	Hijau/Kuning mati	Tidak Ada Sambungan
	Hijau menyala	Sambungan 1000 Mbps
	Kuning menyala	Sambungan 100 Mbps
	Hijau/kuning berkedip	Aktivitas data
11A/N	Kuning	Sambungan nirkabel legacy 11a
	Hijau	Sambungan nirkabel pita 5 GHz 11n
11B/G/N	Kuning	Sambungan nirkabel legacy 11b atau 11g
	Hijau	Sambungan nirkabel pita 2,4 GHz 11n

## Mengonfigurasi Seri W-AP120

### Pengaturan/Pengaturan Kembali Titik Akses

Parameter pengaturan unik untuk setiap Titik Akses. Parameter Titik Akses lokal ini awalnya dikonfigurasi di kontroler yang kemudian dikirim ke Titik Akses dan disimpan dalam Titik Akses. Dell menganjurkan setelan pengaturan dikonfigurasi via UI Web ArubaOS saja. Rujuk *Panduan Pengguna ArubaOS* untuk detail selengkapnya.

### Konfigurasi Titik Akses

Parameter konfigurasi bersifat khusus jaringan atau kontroler dan dikonfigurasi dan disimpan di kontroler. Setelan konfigurasi jaringan dikirim ke Titik Akses tetapi tetap tersimpan di kontroler.

Setelan konfigurasi dapat diubah via UI Web ArubaOS, CLI ArubaOS, atau MMS Aruba. Rujuk panduan yang sesuai untuk detail lebih jauh: *Panduan Pengguna ArubaOS*.

## Spesifikasi Produk

### Mekanis

- Dimensi (antena tersimpan) (PxLxT):
  - 4,9 inci x 5,13 inci x 2 inci
  - 12,4 cm x 13 cm x 5,1 cm
- Berat: 15 oz/0,42 kg
- Dimensi Pengiriman:
  - 9,5 inci x 7,25 inci x 4,5 inci
  - 24,1 cm x 18,4 cm x 11,4 cm
- Suhu:
  - Operasi: 0°C sampai 50°C (32°F sampai 122°F)
  - Penyimpanan: -10°C sampai 70°C (14°F sampai 158°F)



**Catatan:** Selama pemakaian normal, suhu bagian bawah seri W-AP120 dapat mendekati 80°C (176°F). Ini masih dalam kisaran suhu operasi yang diperkirakan.

- Kelembapan Relatif: 5% sampai 95% non-kondensasi
- Ketinggian: 8.000 ft @ 28°C (82,4°F)
- Pemasangan: Dudukan dinding, plafon, atau di atas meja

- Antena:
  - 3 elemen antena dual-band sambungan yang terintegrasi (W-AP121, W-AP125)
  - 3 antarmuka RP-SMA untuk antena eksternal (W-AP120, W-AP124)
- Indikator Status Visual (LED): Lihat [Tabel 3](#)

## Listrik

- Ethernet:
  - 2 x antarmuka RJ-45 Ethernet auto-sensing 100/1000 Base-T
  - MDI/MDX
  - IEEE 802.3 (10Base-T), IEEE 802.3u (100Base-T), IEEE 802.3ab (1000Base-T)
  - Daya lewat Ethernet (mematuhi IEEE 802.3af), 48V DC/350mA (lihat [Tabel 1](#) mengenai konfigurasi pin)
- Daya:
  - Antarmuka daya 5 VDC, mendukung pemberian daya melalui adaptor listrik AC-DC

---

**Catatan:** Jika adaptor listrik selain yang disediakan oleh Dell digunakan di AS atau Kanada, maka harus Terdaftar di cULus (NRTL), dengan keluaran terukur 5 VDC, minimum 4A, bertanda "LPS" atau "Class 2," dan cocok untuk dicolokkan dengan stopkontak standar di AS dan Kanada.

---

- Dukungan POE di port Ethernet:
  - perangkat sumber POE yang mematuhi 802.3af
  - POE+ (56 V @ 350 mA)

## LAN Nirkabel

- Standar Jaringan: IEEE 802.11b, IEEE 802.11g, IEEE 802.11a, dan IEEE 802.11n (draft)
- Jenis Antena:
  - Antena omni high-gain 802.11a/b/g/n terintegrasi
  - Antena omni high-gain 802.11a/b/g/n yang dapat dilepas
- Gain Antena (Antena Terintegrasi):
  - 2,4 – 2,5 GHz/3,2 dBi (maks)
  - 5,180 – 5,825 GHz/5,2 dBi (maks)
- Teknologi Radio:
  - Penjamakan Pembagian Frekuensi Ortogonal (OFDM)
  - Spektrum Sebaran Urutan Langsung (DSSS)
- Jenis Modulasi Radio:
  - 802.11b - CCK, BPSK, QPSK
  - 802.11g - CCK, BPSK, QPSK, 16-QAM, 64-QAM
  - 802.11a - BPSK, QPSK, 16-QAM, 64-QAM
  - 802.11n draft 2.0
- Kontrol Akses Media: CSMA/CA dengan ACK
- Pita Frekuensi 2,4GHz yang Didukung:
  - 2,400 ~ 2,4835GHz (Global), saluran berbeda tiap negara

- Pita Frekuensi 5GHz yang Didukung:
  - 5,150 ~ 5,250GHz (pita rendah), berbeda tiap negara
  - 5,250 ~ 5,350GHz (pita sedang), berbeda tiap negara
  - 5,470 ~ 5,725GHz (Eropa), berbeda tiap negara
  - 5,725 ~ 5,825GHz (pita tinggi), berbeda tiap negara

802.11b	802.11g	802.11a	802.11n
AS, Kanada 11	AS, Kanada 11	AS, Kanada 12	<< PERLU >>
ETSI 13	ETSI 13	ETSI (hingga 19)	<< PERLU >>
Jepang 14	Jepang 13	Jepang 4	<< PERLU >>
Taiwan 11	Taiwan 11	Taiwan 7	<< PERLU >>

- Kecepatan Data:
  - 802.11b - 1; 2; 5,5; 11 Mbps per saluran
  - 802.11g - 6, 9, 12, 18, 24, 36, 48, dan 54 Mbps per saluran
  - 802.11a - 6, 9, 12, 18, 24, 36, 48, dan 54 Mbps per saluran
  - 802.11n - Kecepatan data MCS0 – MCS15 (dari 6,5 Mbps sampai 300 Mbps)

## Cara Membuang Peralatan Dell yang Benar

Untuk informasi terbaru tentang Kepatuhan Lingkungan Global dan produk Dell, rujuklah dokumen *Informasi Keselamatan, Lingkungan, dan Peraturan Seri W PowerConnect Dell* yang disertakan dengan produk ini atau lihat situs web kami di [www.dell.com](http://www.dell.com).

### RoHS Uni Eropa



Produk Aruba juga mematuhi Arahan Pembatasan Zat Berbahaya (Restriction of Hazardous Substances Directive) 2002/95/EC (RoHS) Uni Eropa. RoHS EU membatasi penggunaan bahan berbahaya tertentu dalam pembuatan peralatan listrik dan elektronik.

Secara spesifik, bahan yang dibatasi oleh Arahan RoHS adalah Timbel (termasuk Solder yang digunakan dalam perakitan sirkuit cetak), Kadmium, Air Raksa, Kromium Heksavalen, dan Bromin. Beberapa produk Aruba termasuk dalam pengecualian yang tercantum dalam Arahan RoHS Annex 7 (Timbel dalam solder yang digunakan dalam perakitan sirkuit cetak). Produk dan kemasan akan ditandai dengan label “RoHS” yang berada di kiri, menandakan kepatuhan pada Arahan ini.

### Penggantian Baterai



**Hati-hati:** Baterai yang disertakan bersama produk Dell ini hanya boleh diganti oleh personel servis Dell yang berkualifikasi. Hubungi Dell mengenai penggantian baterai. Jangan berusaha mengganti baterai sendiri. Dapat terjadi ledakan jika Anda memasang jenis baterai yang salah. Buang baterai sesuai instruksi.

## Kepatuhan Peraturan dan Keselamatan

Dell menyediakan dokumen multi-bahasa yang mengandung pembatasan yang berbeda tiap negara dan informasi keselamatan dan peraturan tambahan untuk semua produk perangkat keras Dell. Dokumen *Informasi Keselamatan, Lingkungan, dan Peraturan Seri W PowerConnect Dell* disertakan bersama produk ini.



**Hati-hati:** Pernyataan Keterpaparan Radiasi Frekuensi Radio: Peralatan ini mematuhi batas keterpaparan radiasi gelombang radio FCC. Peralatan ini sebaiknya dipasang dan dioperasikan dengan jarak minimum 13,78 inci (35 cm) antara radiator dan tubuh Anda untuk operasi 2,4 GHz dan 5 GHz. Pemancar ini tidak boleh diletakkan di samping atau beroperasi bersama antena atau pemancar lain. Saat dioperasikan dalam kisaran frekuensi 5,15 sampai 5,25 GHz, perangkat ini dibatasi penggunaannya di dalam ruangan untuk mengurangi potensi terjadinya interferensi berbahaya dengan Sistem Satelit Seluler saluran bersama.

### Pemberitahuan Peringatan Peralatan Radio Korea

#### Radio Equipment for the radio data communication system

##### \*\* Warning Notice \*\*

For a radio equipment using 2400~2483.5MHz or 5725~5825MHz, the following two expression should be displayed ;

1. Indicate following expression on the product where is easy to see : "This radio equipment can be crossed during operation."

당해 무선설비는 운용 중 전파혼신 가능성이 있음

당해 무선설비는 운용 중 전파혼신 가능성이 있음

2. The manufacturer and installer should fully inform the operator or users "This radio equipment cannot provide a service relevant to the human life safety, as it can be crossed" through the user manual etc.

당해 무선설비는 전파혼신 가능성이 있으므로 인명안전과 관련된 서비스는 할 수 없습니다.

당해 무선설비 전파혼신 가능성이 있으므로 인명안전과 관련된 서비스는 할 수 없습니다.

#### Hak cipta

© 2010 Aruba Networks, Inc. AirWave®, Aruba Networks®, Aruba Mobility Management System®, Bluescanner, For Wireless That Works®, Mobile Edge Architecture®, People Move. Networks Must Follow®, RFprotect®, The All Wireless Workplace Is Now Open For Business, Green Island, dan The Mobile Edge Company® dan merek terdaftar lainnya adalah merek dagang Aruba Networks, Inc. Dell™, logo DELL™, dan PowerConnect™ adalah merek dagang Dell Inc.

Hak cipta dilindungi undang-undang. Spesifikasi dalam manual ini dapat berubah sewaktu-waktu tanpa pemberitahuan.

Berasal dari AS. Merek dagang lain yang muncul dalam manual ini adalah milik perusahaannya masing-masing.

#### Kode Sumber Terbuka

Beberapa produk Aruba mengandung kode perangkat lunak Sumber Terbuka yang dikembangkan oleh pihak ketiga, termasuk kode perangkat lunak yang tunduk pada GNU General Public License (GPL), GNU Lesser General Public License (LGPL), atau Lisensi Sumber Terbuka lain. Kode Sumber Terbuka yang digunakan tercantum di situs ini:

[http://www.arubanetworks.com/open\\_source](http://www.arubanetworks.com/open_source)

#### Pemberitahuan Hukum

Penggunaan perangkat lunak dan platform switch Aruba Networks, Inc, oleh semua individu atau perusahaan, untuk menghentikan perangkat klien VPN milik vendor lain merupakan penerimaan tanggung jawab sepenuhnya oleh individu atau perusahaan tersebut untuk tindakan ini dan melepaskan sepenuhnya tanggung jawab Aruba Networks, Inc. dari setiap dan semua tindakan hukum yang mungkin ditujukan kepadanya yang berkaitan dengan pelanggaran hak cipta atas nama vendor tersebut.

#### Jaminan

Produk perangkat keras ini dilindungi dengan jaminan 1 tahun komponen/servis Aruba standar. Untuk informasi selengkapnya, rujuk SYARAT DAN KETENTUAN DUKUNGAN DAN LAYANAN ARUBACARE.

Perubahan perangkat (seperti mengecatnya) membatalkan jaminan.





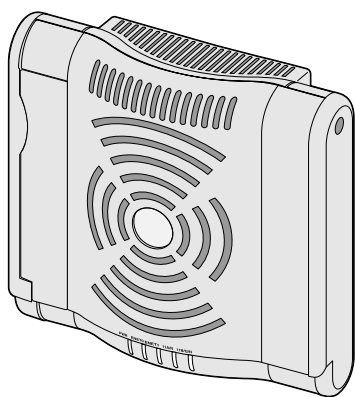


הסדרה Dell W-AP120 של נקודות גישה אלחוטיות תומכת בסטנדרד IEEE 802.11n העומד לחול בקרוב (כיום טיוטה 2.0) לקבלת ביצועי WLAN גבוהים. נקודות גישה אלה משתמשות בטכנולוגיית MIMO (Multiple-Input, Multiple-Output) ובטכניקות אחרות למצב קצב העברת נתונים גבוה כדי לספק ביצועים גבוהים ופונקציונליות סדרת W-AP120 זמינות בגרסאות עם רדיו יחיד או כפול ועם אנטנות משולבות או ממשקי RP-SMA שתומכים באנטנות נתיקות. נקודות הגישה של סדרת W-AP120 פועלת רק יחד עם בקר Dell.

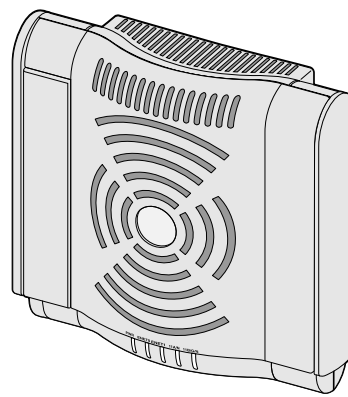
נקודות הגישה של סדרת Dell W-AP120 מספקת את היכולות הבאות:

- מקלט-משדר אלחוטי
- פונקציונלית עבודת ברשת ללא תלות בפרוטוקול
- פעולת IEEE 802.11a/b/g or 802.11n כנקודת גישה אלחוטית
- פעולת IEEE 802.11a/b/g or 802.11n כ-air monitor אלחוטי
- תאימות עם IEEE 802.3af PoE וכן גם קדם סטנדרטים של high power over Ethernet (PoE + / 802.3at)
- תצורת ניהול מרכזי ושדרוגים באמצעות בקר Dell
- שדרוג דגמי a/b/g של סדרת W-AP120 לתאימות IEEE 802.11n (טיוטה) דרך רישיון בקר.

### איור 1 נקודות גישה של W-AP120 Series



W-AP120/W-AP124  
(3 x ממשקי RP-SMA עבור אנטנות נתיקות)



W-AP121/W-AP125  
(3 x אנטנות פס כפול משולבות)

## תכולת האריזה

- נקודת גישה סדרת AP-120
- מדריך התקנה (מסמך זה)

הערה: הודע לספק אם קיימים חלקים שגויים, חסרים או פגומים. אם ניתן, שמור על הקרטון, כולל חומרי האריזה המקוריים. השתמש בחומרי האריזה כדי לארוז מחדש את היחידה לספק, אם נדרש.



הערה: ערכות הרכבה נוספות לשימוש עם נקודות הגישה של סדרת W-AP120 נמכרות בנפרד. לקבלת פרטים, פנה לנציג המכירות של Dell.



# לפני שתתחיל

## תכנון WLAN

קבע כמה נקודות גישה של Dell נדרשות עבור פריסת הרשת האלחוטית שלך והיכן הן יותקנו. תוכל לבצע תכנון זה בקלות באמצעות תוכנת RF Plan של Dell לסקר אוטומטי של האתר (זמינה בנפרד). תהליך זה נחשב תכנון WLAN או RF וצריך היה להשלימו במהלך ההתקנה הראשית וההגדרה של בקר Dell. בהתקנות טיפוסיות של Dell, הבקרים מוגדרים ומותקנים לפני נקודות הגישה.

לקבלת סיוע בתכנון WLAN, עיין ב: *Indoor Access Points: Site Survey and Planning Pre-Deployment* וב- *RF Plan Installation and User Guide*.

## דרישות רשת לקדם התקנה

לאחר השלמת תכנון ה-WLAN וקביעת המוצרים המתאימים ומיקומם, יש להתקין את בקר /בקרי Dell ולבצע הגדרה ראשונית לפני פריסת נקודות הגישה של Dell.

למידע על התקנה ראשונית של ה בקר, עיין ב: *ArubaOS Quick Start Guide* לפרטים על גרסת התוכנה שמוותקנת ב בקר.

## רשימת בדיקה לקדם התקנה

- לפני שתתקין את נקודת הגישה מסדרת W-AP120, ודא שיש ברשותך את הדברים הבאים:
  - עבור W-AP120/W-AP124: אנטנות חיצוניות מצוינות בתוכנית פריסת הרשת
  - כבל CAT5 UTP באורך המתאים
  - אחד ממקורות החשמל הבאים:
    - מקור IEEE 802.3af Power over Ethernet (PoE) תואם
    - תמיכת פונקציונליות מלאה עבור W-AP120/W-AP121; תמיכת פונקציונליות מופחתת עבור W-AP124/W-AP125
    - מקור יציאת IEEE Power Over Ethernet + (PoE+) ב- 56 וולטים ב- 350 mA
    - מקור ה- POE יכול להיות כל בקר מצויד במקור חשמל (PSE- power source equipment) או התקן midspan PSE
  - ערכת מתאם Dell AP AC-DC (נמכרת בנפרד)
- בקר Dell מתוספק ברשת:
  - קישוריות רשת Layer 2/3 לנקודת הגישה
  - אחד משירותי הרשת הבאים:
    - Aruba Discovery Protocol (ADP)
    - שרת DNS עם רשומת "A"
    - שרת DHCP עם אופציות ספציפיות לספק

## סיכום של תהליך ההגדרה

הערה: חשוב לוודא את הפריטים המפורטים תחת **רשימת בדיקה לקדם התקנה** לפני שתנסה להתקין ולהגדיר את נקודת הגישה של דגם W-AP120.



הגדרה מוצלחת של נקודת הגישה סדרת AP-120 מורכבת מחמש משימות, שיש לבצע לפי הסדר:

1. ודא קישוריות של קדם התקנה.
2. זהה את מיקום ההתקנה הספציפי עבור כל נקודת גישה.
3. התקן כל נקודת גישה.
4. ודא קישוריות שלאחר התקנה.

הערה: Dell, בהתאמה לדרישות ממשלתיות, תכננה נקודות גישה מסוג סדרת AP-120 באופן שבו רק מנהלי רשת מורשים יוכלו לשנות את ההגדרות. למידע נוסף על תצורת נקודת גישה, עיין ב: *ArubaOS Quick Start Guide* וכן ב- *Aruba OS User Guide*.



**זהירות:** נקודות גישה הן התקני שידור רדיו וככאלה כפופות לתקנות ממשלתיות. מנהלי רשת האחראיים להגדרה ולתפעול של נקודות גישה חייבים לציית לתקנות השידור המקומיות. במיוחד, נקודות גישה חייבות להשתמש בהקצאות ערוץ המתאימות למיקום שבו יעשה שימוש בנקודת הגישה.



## אימות קישוריות של קדם התקנה

לפני שתתקין נקודות גישה בסביבת רשת, ודא שנקודות הגישה מסוגלות לאתר את הבקר ולהתחבר לבקר לאחר ההפעלה.

במיוחד, עליך לוודא את התנאים הבאים:

- כשנקודת הגישה מחוברת לרשת, לכל נקודת גישה מוקצית כתובת IP חוקית
- נקודות הגישה מסוגלות לאתר את הבקר

לקבלת הוראות על איתור הבקר והחיבור אליו עיין ב: *ArubaOS Quick Start*.

## זיהוי מיקומי התקנה ספציפיים

ניתן להרכיב את נקודת הגישה סדרת AP-120 על הקיר או על התקרה. השתמש במפת מיקום נקודות הגישה שמופקת על-ידי היישום RF Plan של Dell כדי לקבוע את מיקומי ההתקנה המתאימים. כל מיקום חייב להיות קרוב ככל האפשר למרכז אזור הכיסוי המיועד, וחייב להיות נקי ממכשולים וממקורות גלויים של הפרעות. מקורות אלה של ספיגת/הקרנת/הפרעת RF ישפיעו על התפשטות ה-RF, וצריך היה לקחתם בחשבון במהלך שלב התכנון וצריך היה להתאימם לתוכנית ה-RF.

## זיהוי מקורות ידועים של ספיגת/הקרנת/הפרעת RF

זיהוי מקורות ידועים של ספיגת, הקרנת והפרעת RF בשטח במהלך שלב ההתקנה היא הליך קריטי. ודא שמקורות אלה נלקחו בחשבון בעת שאתה מחבר נקודת גישה למיקום הקבוע שלה.

סופגי RF כוללים:

- מלט/בטון: לבטון ישן יש רמות גבוהות של פיזור מים, אשר מייבשות את הבטון, ומאפשרות התפשטות פוטנציאלית של RF. לבטון חדש יש רמות גבוהות של ריכוזי מים בבטון, החוסמות אותות RF.
- פריטים טבעיים: אקווריום, מזרקות מים, בריכות ועצים
- לבנים

מקריני RF כוללים:

- אובייקטים מתכתיים: לוחות מתכת בין קומות, מוטות חיזוק, דלתות אש, תעלות מיזוג אוויר/חימום, סורגי חלונות, תריסים, גדרות רשת (תלוי בגודל המרווח), מקררים, מעמדים, מדפים וארונות תיוק.
- אל תמקם נקודות גישה בין שתי תעלות של מיזוג אוויר/חימום. ודא שנקודות הגישה ממוקמות מתחת לתעלות כדי להימנע מהפרעות RF.

הפרעות RF כוללות:

- תנורי מיקרוגל ואובייקטים אחרים עם 2.4 עד 5 GHz (דוגמת טלפונים אלחוטיים)
- אולמות ומקד טלפוני עם אוזניות אלחוטיות

# התקנת נקודת הגישה

הערה: השירות לכל מוצרי Dell חייב להתבצע על-ידי אנשי שירות מוסמכים בלבד.



## שימוש בחריצים משולבים להרכבה על הקיר

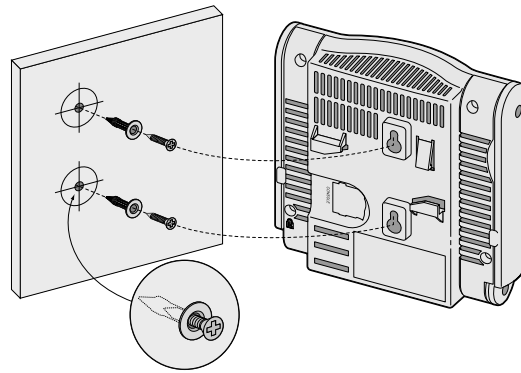
ניתן להשתמש בחריצים בצורת חור מנעול שבחלק האחורי של נקודת הגישה כדי לחבר את ההתקן בצורה אנכית לקיר או למדף בתוך מבנה. כשאתה בוחר את מיקום ההרכבה, השאר מרווח נוסף מצד ימין של היחידה עבור כבלים.

הערה: לפרטים על ממדי המוצר, ראה את **מפרטי מוצר** במדריך זה. השאר 5 ס"מ של מרווח נוסף מצד ימין של היחידה המותקנת עבור כבלים, וודא שזמין מספיק מקום לחיבור אנטנה.



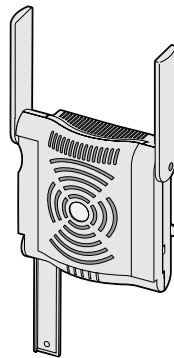
1. במיקום ההרכבה, התקן שני ברגים על הקיר או המדף, במרחק של 4.7 ס"מ זה מזה. אם אתה מחבר את ההתקן לקיר גבס, Dell ממליצה להשתמש בדיבלים מתאימים (לא כלולים).
2. יישר את חריצי ההרכבה שבחלק האחורי של נקודת הגישה מעל לברגים והחלק את היחידה למקום (ראה את **איור 2**).

### איור 2 התקנת נקודת הגישה Series W-AP120 על קיר

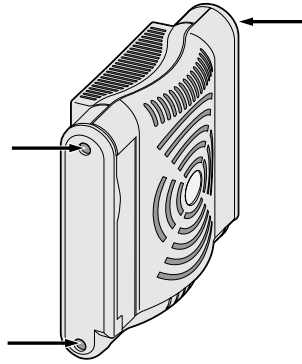


3. ב-W-AP120 ו-W-AP125, כוון את האנטנות. לקבלת הביצועים הטובים ביותר, סובב את האנטנות כך שיהיו מכוונות בצורה אנכית, רצוי באותו מישור, במקביל לקיר (ראה את **איור 3**).

### איור 3 כיוון אנטנה בהרכבה על הקיר W-AP120/ W-AP125



ב-W-AP120 או ב-W-AP124, התקן את האנטנות החיצוניות בהתאם להוראות היצרן, וחבר את האנטנות לממשק האנטנה שעל נקודת הגישה (ראה את **איור 4**).



### שימוש במסילות משולבות להרכבה על התקרה

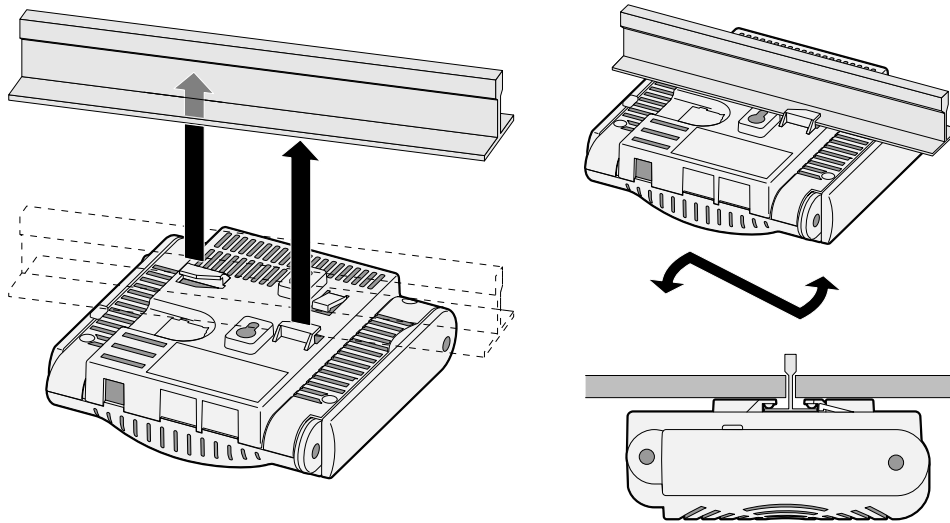
ניתן להשתמש בחריצי הלחיצה שבחלק האחורי של נקודת הגישה כדי לחבר את ההתקן בצורה בטוחה למסילת תקרה סטנדרטית ברוחב 15/16 אינץ'.

**זהירות:** ודא שנקודת הגישה מתאימה בצורה בטוחה למסילת התקרה בעת תליית ההתקן מהתקרה, כיוון שהתקנה פגומה עלולה לגרום לה ליפול על אנשים או ציוד.

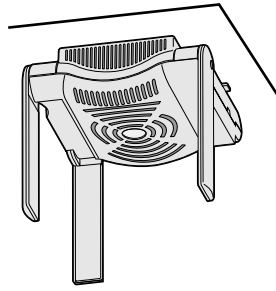


1. משוך את הכבלים הנדרשים דרך חורים מוכנים מראש במסילת התקרה סמוך למקום שבו תמוקם נקודת הגישה.
2. אם נדרש, חבר את כבל המסוף ליציאת המסוף בחלק האחורי של נקודת הגישה.
3. החזק את נקודת הגישה סמוך למסילת התקרה כאשר חריצי ההרכבה למסילת התקרה נמצאים בזווית של כ-30 מעלות יחסית למסילת התקרה (ראה את איור 5). ודא שכל כבל רפוי נמצא מעל למסילת התקרה.

### איור 5 כיוון חריצי ההרכבה למסילת התקרה



4. תוך כדי דחיפה לכיוון מסילת התקרה, סובב את נקודת הגישה בכיוון השעון עד שההתקן נכנס בנקישה למקומו שעל מסילת התקרה.
5. ב- W-AP120 ו- W-AP125, כוון את האנטנות. לקבלת התוצאות הטובות ביותר, סובב את האנטנות כך שיהיו אנכיות (בניצב לגוף נקודת הגישה) (ראה את איור 6).



ב- W-AP120 או ב- W-AP124, התקן את האנטנות החיצוניות בהתאם להוראות היצרן, וחבר את האנטנות לממשק האנטנה שעל נקודת הגישה (ראה את איור 4).

## חיבור הכבלים הנדרשים

התקן כבלים בהתאם לכל התקנות והנהלים המקומיים והארציים.

## יציאות Ethernet

יציאת ה- Ethernet (ENET0 ו- ENET1) מסוג RJ-45 תומכת בחיבורי MDI/MDX ב- 10/100/1000Base-T עם חישה אוטומטית. השתמש ביציאות אלה לחיבור נקודת הגישה לזוג שזור של מקטע Ethernet LAN או ישירות לבקר של Dell. השתמש במוליך כבל 4 עד 8, Category 5 UTP באורך של 100 מטר לכל היותר.

הערה: נקודות הגישה של סדרת Dell W-AP120 מיועדות להתקנה ב- Environment A כמוגדר ב- IEEE 802.3.af, Power over Ethernet. כל הציוד המחובר חייב להימצא באותו הבניין, כולל חיבורי ה- LAN המשויכים לציוד המחובר.



יציאות ה- Ethernet 10/100/1000 Mbps נמצאות בחלק התחתון של נקודת הגישה. ליציאות אלה יש מחברי נקבה RJ-45 עם תרשים הפינים המוצג ב**טבלה 1**.

### טבלה 1 מחבר יציאות Ethernet עבור ENET0 ו- ENET1

מחבר	פין	שם אות	חיבור GE	חיבור FE	PoE
	1	BI_DA+	Bi-directional pair A+	RX+ Bi-directional pair A+	POE negative
	2	BI_DA-	Bi-directional pair A-	RX- Bi-directional pair A-	POE negative
	3	BI_DB+	Bi-directional pair B+	TX+ Bi-directional pair B+	POE positive
	4	BI_DC+	Bi-directional pair C+	Spare pair Bi-directional pair C+	POE positive
	5	BI_DC-	Bi-directional pair C-	Spare pair Bi-directional pair C-	POE positive
	6	BI_DB-	Bi-directional pair B-	TX- Bi-directional pair B-	POE positive
	7	BI_DD+	Bi-directional pair D+	Spare pair Bi-directional pair D+	POE negative
	8	BI_DB-	Bi-directional pair D-	Spare pair Bi-directional pair D-	POE negative

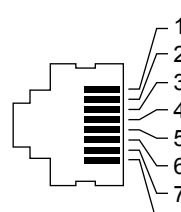


## יציאת מסוף טורית

יציאת המסוף הטורי מאפשרת לחבר את נקודת הגישה למסוף טורי או למחשב נייד לצורך ניהול מקומי ישיר. ליציאה יש מחבר נקבה RJ-45 עם תרשים הפינים המתואר ב**טבלה 2**. חבר יציאה זו באחת מהדרכים הבאות:

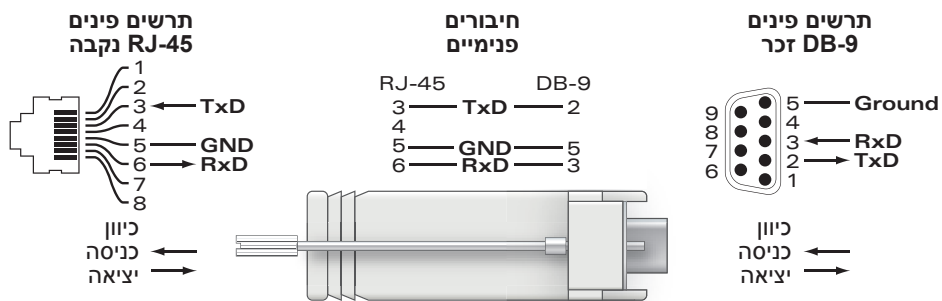
- חבר אותה ישירות למסוף או לשרת מסוף באמצעות כבל Ethernet.
- השתמש במתאם מודולרי כדי להמיר מחבר RJ-45 (נקבה) שעל נקודת הגישה למחבר DB-9 (זכר), וחבר את המתאם למחשב נייד באמצעות כבל RS-232. לפרטים על המחבר של המתאם, ראה את **איור 7**.

**טבלה 2 מחבר עבור יציאת מסוף טורית**

מחבר	פין	שם אות	פונקציה
	3	TXD	Transmit
	4	GND	Ground
	5	GND	Ground
	6	RXD	Receive

פינים שאינם מפורטים אינם מחוברים.

**איור 7 מתאם המרה מודולרי RJ-45 (נקבה) אל DB-9 (זכר)**



## חיבור חשמל

לנקודת הגישה מסדרה W-AP120 יש שקע 5V DC יחיד כדי לתמוך באספקת חשמל דרך מתאם AC-to-DC מרשת החשמל.

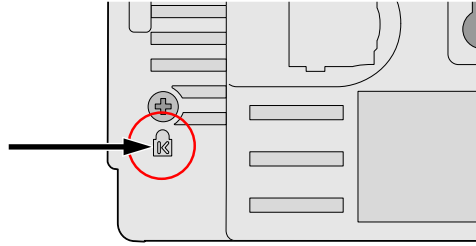
**הערה:** אם זמינה אספקת חשמל הן דרך POE והן דרך DC, נקודת הגישה משתמשת ב- POE גם כאשר לא זמין מספיק מתח POE ולהפעלת נקודת הגישה.



## חיבור כבל האבטחה

לקבלת אבטחה נוספת עבור ה- W-AP120 או ה- W-AP125, ניתן לחבר כבל אבטחה בחלק האחורי של היחידה. (ראה את איור 8).

איור 8 חיבור נעילת אבטחה



## אימות קישוריות שלאחר התקנה

בשלב זה, ניתן להשתמש בנוריות המשולבות בנקודת הגישה כדי לוודא שנקודת הגישה מקבלת זרם ומאותחלת בצורה מוצלחת (ראה את טבלה 3). לקבלת פרטים נוספים על אימות קישוריות רשת שלאחר התקנה, עיין ב: *ArubaOS Quick Start Guide*.

נורית	צבע/מצב	משמעות
PWR	ירוק יציב	הפעלה, ההתקן מוכן
	ירוק מהבהב	המערכת מאתחלת
	אדום יציב	כשל באתחול המערכת. צור קשר עם TAC
ENET 0 100/1000 (Mbps)	ירוק/כתום כבוי	אין קישור
	ירוק דולק	קישור 1000 Mbps
	כתום דולק	קישור 100 Mbps
	ירוק/כתום מהבהב	פעילות נתונים
ENET 1 100/1000 (Mbps)	ירוק/כתום כבוי	אין קישור
	ירוק דולק	קישור 1000 Mbps
	כתום דולק	קישור 100 Mbps
	ירוק/כתום מהבהב	פעילות נתונים
11A/N	כתום	קישור אלחוטי מדור קודם 11a
	ירוק	קישור אלחוטי הוא פס של 5 Ghz 11n
11B/G/N	כתום	קישור אלחוטי מדור קודם 11b או 11g
	ירוק	קישור אלחוטי הוא פס של 2.4 Ghz 11n

## הגדרת ה- W-AP120 Series

### Provisioning/Reprovisioning של נקודת גישה

הפרמטרים ל- Provisioning (תספוק שירותי טלקומוניקציה) ייחודיים לכל נקודת גישה. הגדרה ראשונית של פרמטרים מקומיים אלה של נקודת הגישה נעשית ב בקר ולאחר מכן מועברות לנקודת הגישה ומאוחסנות בנקודת הגישה עצמה. Dell ממליצה שהגדרות provisioning ייקבעו רק ב- ArubaOS Web UI. לקבלת פרטים מלאים, עיין ב: *ArubaOS User Guide*.

## תצורת נקודת גישה

פרמטרי התצורה ספציפיים לרשת או לבקר והם מוגדרים ומאוחסנים בבקר. הגדרות תצורת רשת מועברות לנקודות הגישה או נותרות מאוחסנות בבקר.

ניתן לקבוע הגדרות תצורה דרך ArubaOS Web UI, ArubaOS CLI, או דרך Aruba MMS. לקבלת פרטים מלאים, עיין במדריכים המתאימים: ה-ArubaOS User Guide.

## מפרטי מוצר

### מכניים

- ממדים (אנטנה מאוחסנת) (עאראג):
  - 4.9x5.13x2 אינץ'
  - 12.4x13x5.1 ס"מ
- משקל: 0.42 ק"ג
- ממדים בשיווק:
  - 9.5x7.25x4.5 אינץ'
  - 24.1x18.4x11.4 ס"מ
- טמפרטורה:
  - הפעלה: 0 עד 50 מעלות צלזיוס
  - אחסון: -10 עד 70 מעלות צלזיוס

---

**הערה:** במהלך הפעלה רגילה, טמפרטורת בסיס הסדרה W-AP120 יכול להגיע ל-80°C. טמפרטורה זו נמצאת במסגרת טווח טמפרטורת ההפעלה המצופה.

---



- לחות יחסית: 5% עד 95% לחות יחסית, ללא עיבוי
- גובה: 8,000 רגל (2438 מ') ב-28°C
- הרכבה: קיר, תקרה או הרכבה על שולחן
- אנטנות:
  - 3 אלמנטים של אנטנות פס כפול מתחברות (W-AP120, W-AP125)
  - 3 ממשקי RP-SMA עבור אנטנות חיצוניות (W-AP120, W-AP124)
- מחווני מצב חזותיים (נוריות): ראה את [טבלה 3](#)

### חשמלי

- Ethernet:
- 2 x ממשקי RJ-45 ב-100/1000Base-T עם חישה אוטומטית
- MDI/MDX
- IEEE 802.3 (10Base-T), IEEE 802.3u (100Base-T), IEEE 802.3ab (1000Base-T)
- Power over Ethernet (IEEE 802.3af compliant), 48V DC/350mA (פינים)
- חשמל:
  - ממשק חשמל של 12V DC, תומך באספקת חשמל דרך מתאם חשמל AC-to-DC מרשת החשמל.

---

**הערה:** אם נעשה שימוש במתאם חשמל השונה מזה שמסופק על-ידי Dell בארה"ב ובקנדה, עליון להיות Listed (NRTL) cULus, עם יציאה נקובה של 5V DC, מינימום של 4A, מסומן בתור "LPS" או "Class 2", ומתאים לחיבור לשקע חשמל סטנדרטי בארה"ב ובקנדה.

---



תמיכת POE ביציאות Ethernet:

802.3af-compliant POE sourcing devices –

POE+ (56 V @ 350 mA) –

## LAN אלחוטי

Network Standards: IEEE 802.11b, IEEE 802.11g, IEEE 802.11a, and IEEE 802.11n (draft)

סוג אנטנה:

אנטנת 802.11a/b/g/n משולבת רב כיוונית להגברה גבוהה

אנטנת 802.11a/b/g/n משולבת רב כיוונית ונתיקה להגברה גבוהה

הגברת אנטנה (אנטנות משולבות):

2.4 – 2.5 GHz/3.2 dBi (max)

5.180 – 5.825 GHz/5.2 dBi (max)

טכנולוגיית רדיו:

Orthogonal Frequency Division Multiplexing (OFDM)

Direct Sequence Spread Spectrum (DSSS)

סוג אפנון רדיו:

802.11b - CCK, BPSK, QPSK

802.11g - CCK, BPSK, QPSK, 16-QAM, 64-QAM

802.11a - BPSK, QPSK, 16-QAM, 64-QAM

802.11n draft 2.0

בקרת גישת מדיה: CSMA/CA with ACK

פסי תדירות נתמכים של 2.4GHz:

2.400 ~ 2.4835GHz (Global), ערוצים ספציפיים למדינה

פסי תדירות נתמכים של 5GHz:

5.150 ~ 5.250GHz (low band), ספציפי למדינה

5.250 ~ 5.350GHz (mid band), ספציפי למדינה

5.470 ~ 5.725GHz (Europe), ספציפי למדינה

5.725 ~ 5.825GHz (high band), ספציפי למדינה

802.11n	802.11a	802.11g	802.11b
<<נדרש>>	ארה"ב קנדה 12	ארה"ב קנדה 11	ארה"ב קנדה 11
<<נדרש>>	ETSI (עד 19)	ETSI 13	ETSI 13
<<נדרש>>	יפן 4	יפן 13	יפן 14
<<נדרש>>	טאיוון 7	טאיוון 11	טאיוון 11

קצב נתונים:

802.11b - 1, 2, 5.5, 11 Mbps לכל ערוץ

802.11g - 6, 9, 12, 18, 24, 36, 48 and 54 Mbps לכל ערוץ

802.11a - 6, 9, 12, 18, 24, 36, 48 and 54 Mbps לכל ערוץ

802.11n - Data rate MCS0 – MCS15 (מ- 6.5 Mbps עד 300 Mbps)

# דרך נאותה להשלכת ציוד Dell

למידע המעודכן ביותר על תאימות סביבתית גלובלית ומוצרי Dell, עיין במסמך *Dell PowerConnect W-Series Safety, Environmental, and Regulatory Information* שכלול עם מוצר זה או ראה את אתר האינטרנט שלנו בכתובת [www.dell.com](http://www.dell.com).

## RoHS של האיחוד האירופי

מוצרי Aruba תואמים גם ל- EU Restriction of Hazardous Substances Directive (RoHS) 2002/95/EC (RoHS) מגביל את השימוש בחומרים מסוכנים מסוימים בייצור של ציוד חשמלי ואלקטרוני. באופן ספציפי, חומרים מסוכנים במסגרת הנחיית RoHS הם עופרת (כולל הלחמה ומרכבי מעגלים מודפסים), קדמיום, כספית, כרום (VI) וברום. חלק ממוצרי Aruba כפופים לרשימת הפטור במסגרת RoHS Directive Annex 7 (הלחמת עופרת המשמשת במרכבי מעגלים מודפסים). מוצרים ומארזים יסומנו בתווית "RoHS" שמוצגת מימין המציינת התאמה להנחיה זו.



## החלפת סוללה

**זהירות:** החלפת סוללות שכלולות במוצרי Dell חייבת להתבצע רק על-ידי אנשי שירות מוסמכים של Dell. צור קשר עם Dell לשם החלפת סוללה. אל תנסה להחליף את הסוללה. קיימת סכנת התפוצצות אם תתקין סוג לא נכון של סוללה. השלך סוללות בהתאם לתקנות.



## תאימות לבטיחות ולתקינה

Dell מספקת תיעוד בשפות מרובות המכיל הגבלות ספציפיות לארץ ומידע נוסף על בטיחות ותקינה עבור כל מוצר החומרה של Dell. המסמך *Dell PowerConnect W-Series Safety, Environmental, and Regulatory Information* כלול יחד עם מוצר זה.

**זהירות:** הצהרת חשיפה לקרינת תדר רדיו הציוד תואם למגבלות חשיפה לקרינת תדר רדיו של ה-FCC. יש להתקין ולהפעיל ציוד זה עם מרחק מינימלי של 35 ס"מ בין המקור ובין גופך עבור תפעול של 2.4 GHz ו-5 GHz. אין למקם או להפעיל משדר זה ביחד עם אנטנה או משדר אחרים. בעת הפעלה בטווח של 5.15 עד 5.25 GHz, התקן זה מוגבל לשימוש פנים כדי להפחית אפשרות להפרעה מזיקה למערכות לוויין נייד הפועלות בתדר ערוץ משותף.



## הודעת אזרה לגבי ציוד רדיו בקוריאה

### Radio Equipment for the radio data communication system

#### \*\* Warning Notice \*\*

For a radio equipment using 2400~2483.5MHz or 5725~5825MHz, the following two expression should be displayed ;

1. Indicate following expression on the product where is easy to see : "This radio equipment can be crossed during operation."

당해 무선설비는 운용 중 전파혼신 가능성이 있음

당해 무선설비는 운용 중 전파혼신 가능성이 있음

2. The manufacturer and installer should fully inform the operator or users "This radio equipment cannot provide a service relevant to the human life safety, as it can be crossed" through the user manual etc.

당해 무선설비는 전파혼신 가능성이 있으므로 인명안전과 관련된 서비스는 할 수 없습니다.

당해 무선설비...신 가능성이 있으므로 인명안전과 관련된 서비스는 할 수 없습니다.

## זכויות יוצרים

© 2010 Aruba Networks, Inc. AirWave®, Aruba Networks®, Aruba Mobility Management System®, Bluescanner, For Wireless That Works®, Mobile Edge Architecture®, People Move. Networks Must Follow®, RFprotect®, The All Wireless Workplace Is Now Open For Business, Green Island, and The Mobile Edge Company®

וסימנים רשומים אחרים הם סימנים מסחריים של Dell™, Aruba Networks, Inc. הלוגו Dell™ ו-PowerConnect™ הם סימנים מסחריים של Dell Inc.

כל הזכויות שמורות. המפרטים במדריך זה כפופים לשינויים ללא הודעה.

נוצר בארה"ב. כל הסימנים המסחריים המופיעים במדריך זה הם קניין בעליהם בהתאמה.

## מקור קוד פתוח

חלק ממוצרי Aruba כוללים קוד תוכנת מקור פתוח על-ידי צדדים שלישיים, כולל קוד תכנה כפוף ל-GNU General Public License (GPL), GNU Lesser General Public License (LGPL), או רישיון קוד פתוח אחר. את קוד המקור הפתוח שנמצא בשימוש ניתן למצוא באתר זה:

[http://www.arubanetworks.com/open\\_source](http://www.arubanetworks.com/open_source)

## הודעה משפטית

השימוש בפלטפורמות ותוכנת המיתוג של Aruba Networks, Inc. על-יד כל האנשים הפרטיים או הארגונים, כדי לסיים התקני לקוח של ספקי VPN אחרים יוצרת הסכמה מוחלטת של חבות על-ידי אדם פרטי או ארגון אלה עבור פעולה זו ושיפוי, במלואו, של Aruba Networks, Inc מפני מפני פעולות חוקיות כלשהן וכולן העשויות להינקט נגדה בהתייחס להפרה של זכויות יוצרים מטעם ספקים אלה.

## אחריות

חומרה זו מוגנת באחריות הרגילה של Aruba לשנה אחת על חלקים/עבודה. לקבלת מידע נוסף, עיין ב- ARUBACARE SERVICE AND SUPPORT TERMS AND CONDITIONS.

שינוי מוצר זה (כגון צביעתו) מבטל את האחריות.

